

# FUSE BASE FOR FUSE STRIPS RATED 80V FOR SINGLE

RoHS



## Specifications

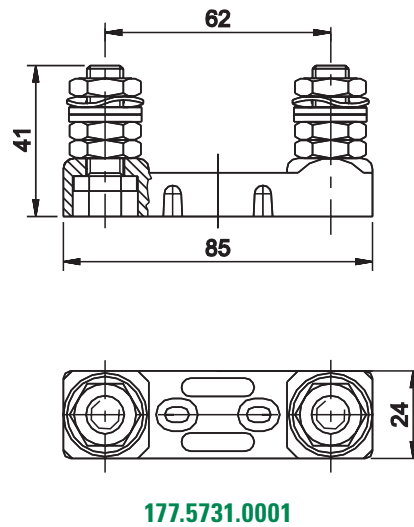
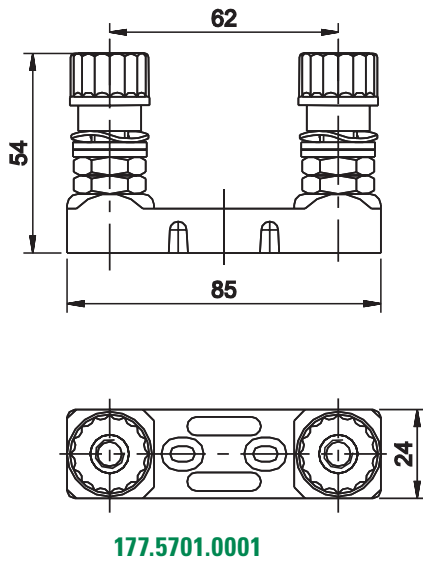
<b>Base Material:</b>	Insulation according to DIN 7708/1 Spring washer according to DIN 137 Hexagon nuts according to DIN 439 Washer according to DIN 125
<b>Conducting Materials:</b>	Copper wrought alloy
<b>Operating Temp:</b>	-40°C to +85°C
<b>Maximum Torque:</b>	35-63A: 5 Nm maximum torque 80-100A: 8 Nm maximum torque 125A-425A: 10 Nm maximum torque
<b>Color:</b>	Black

## Description

Fuse base for fuse strips with 62 mm spacing. Up to 80V.

## Dimensions

Dimensions in mm



## Ordering Information

PART NUMBER	DESCRIPTION	PACKAGE SIZE	MAXIMUM AMPERAGE RATING
177.5701.0001	Fuse Base with Insulating Nuts	10	max. 425A
177.5731.0001	Fuse Base with Hex Nuts	10	max. 425A

## FUSE BASE FOR FUSE STRIPS RATED 80V FOR DOUBLE

RoHS



### Specifications

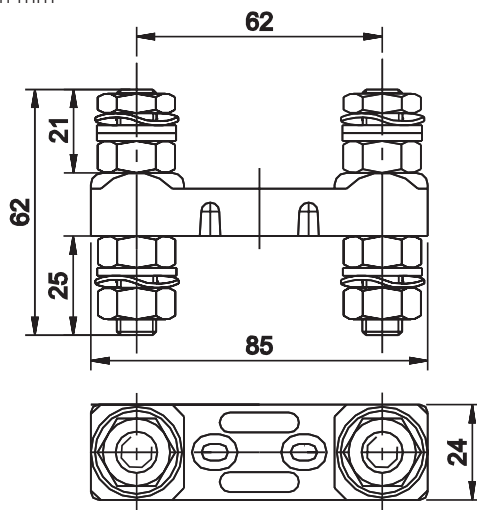
<b>Base Material:</b>	Insulation according to DIN 7708/1 Spring washer according to DIN 137 Hexagon nuts according to DIN 934 Washer according to DIN 125
<b>Conducting Materials:</b>	Copper wrought alloy
<b>Operating Temp:</b>	-40°C to +85°C
<b>Maximum Torque:</b>	35-63A: 5 Nm maximum torque 80-100A: 8 Nm maximum torque 125A-250A: 10 Nm maximum torque
<b>Color:</b>	Black

### Description

Fuse base for fuse strips with 62 mm spacing.  
The stud is electrically conductive and not insulated with potting material.

### Dimensions

Dimensions in mm



177.5741.0001

### Ordering Information

PART NUMBER	DESCRIPTION	PACKAGE SIZE	MAXIMUM AMPERAGE RATING
177.5741.0001	Double Fuse Base with Hex Nuts	10	max. 250A

单击下面可查看定价，库存，交付和生命周期等信息

[>>Littelfuse\(美国力特\)](#)