

PolySwitch® PTC Devices

Overcurrent Protection Device

PRODUCT: TS250-130F-RC

DOCUMENT: SCD26241
REV LETTER: F
REV DATE: MAY 11, 2011
PAGE NO.: 1 OF 1

Specification Status: Released

Maximum Operating Voltage: 60V_{DC}

Fault Ratings at 20°C:

250 V_{RMS}, 3A, 10 applications
600 V_{RMS}, 1A, 5 applications

Additional Info at 20°C:

- Resistance matched: N/A
- Lightning withstand: 1.5kV per ITU-T
- Helps equipment meet ITU-T K.20, K.21 Recommendations
- Helps equipment meet Telcordia GR1089 intrabuilding requirements

Terminal Material: Tin-Plated Brass

Marking:

- Manufacturer's Mark
- XX T13 — Part Identification
- □ □ □ — Lot Identification

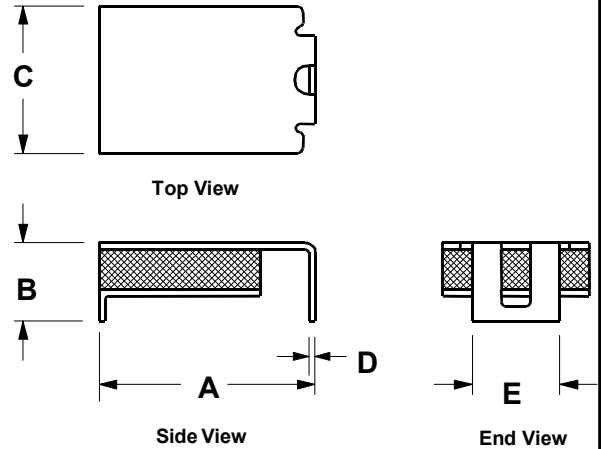


TABLE I. DIMENSIONS:

	A		B		C		D	E
	MIN	MAX	MIN	MAX	MIN	MAX	NOM	NOM
mm:	8.5	9.4	--	3.4	--	7.4	0.3	3.8
in.*	(0.335)	(0.370)	--	(0.135)	--	(0.290)	(0.011)	(0.150)

*Rounded off approximation

TABLE II. PERFORMANCE RATINGS @ 20°C:

HOLD CURRENT (A)	TRIP CURRENT (A)	RESISTANCE (Ω)			TIME TO TRIP(Sec) @ 1A		OPERATING TEMPERATURE (°C)		TRIPPED POWER DISSIPATION (W) TYP @ 60V _{DC}
		R MIN	R MAX	R _{1 MAX} *	TYP	MAX	MIN	MAX	
0.130	0.260	7.0	10.0	17.0	1.1	2.0	-40	85	1.1

*Maximum device resistance at 20°C measured 1 hour post trip and 24 hours post reflow

TABLE III. APPLICABLE PART DESCRIPTIONS:

PART DESCRIPTION	PACKAGING TYPE	NOTE
TS250-130F-RC-2	Tape and Reel	N/A

Agency Recognitions:
Reference Documents:
Precedence:
Effectivity:
Caution:

UL (File #E74889), CSA (File #78165C), TUV Raychem PS300, ITU-T K.20, K.21
This specification takes precedence over documents referenced herein.
Reference documents shall be the issue in effect on the date of invitation for bid.
Operation beyond the rated voltage or current may result in rupture, electrical arcing or flame.

Materials Information
ROHS Compliant

ELV Compliant

Pb-Free

Directive 2002/95/EC Compliant

Directive 2000/53/EC Compliant



单击下面可查看定价，库存，交付和生命周期等信息

[>>Littelfuse\(美国力特\)](#)