

08080200 BATTERY DISCONNECT SWITCHES

150A • SPST • IP65 • M10 Studs • Push to Off



Description

Manual Battery Disconnect Switch features a push button for fast push to off operation in event of an emergency. Rotate knob for ON. Switch status is indicated through a window on the top of the knob

Features/Benefits

- 150A continuous current rating
- Push to OFF feature for emergency situations
- Highly visible bright red handle
- Status window built-in the top of the knob
- Waterproof and dustproof to IP65

Dimensions

Specifications

| | |
|--------------------------------|----------------------|
| Max Operating Voltage: | 24V DC |
| Max Continuous Current: | 150A |
| Intermittent Current: | 1200A at 5 sec |
| Operating Temp: | -30°C to +60°C |
| Ingress Protection: | IP65 |
| Contacts: | Silver-Plated Copper |
| Terminals: | M10 |

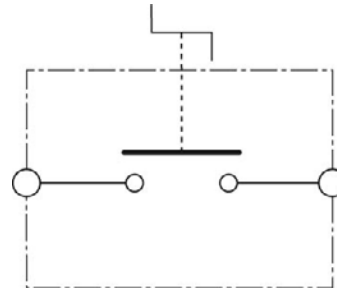
Applications

- Heavy Truck
- Off-Road
- Emergency Vehicles
- Material Handling
- Mining
- Agricultural
- Marine
- Construction

Web Resources

Download 2D prints and additional technical resources at:
littelfuse.com/ManualBatterySwitches

Electrical Diagram

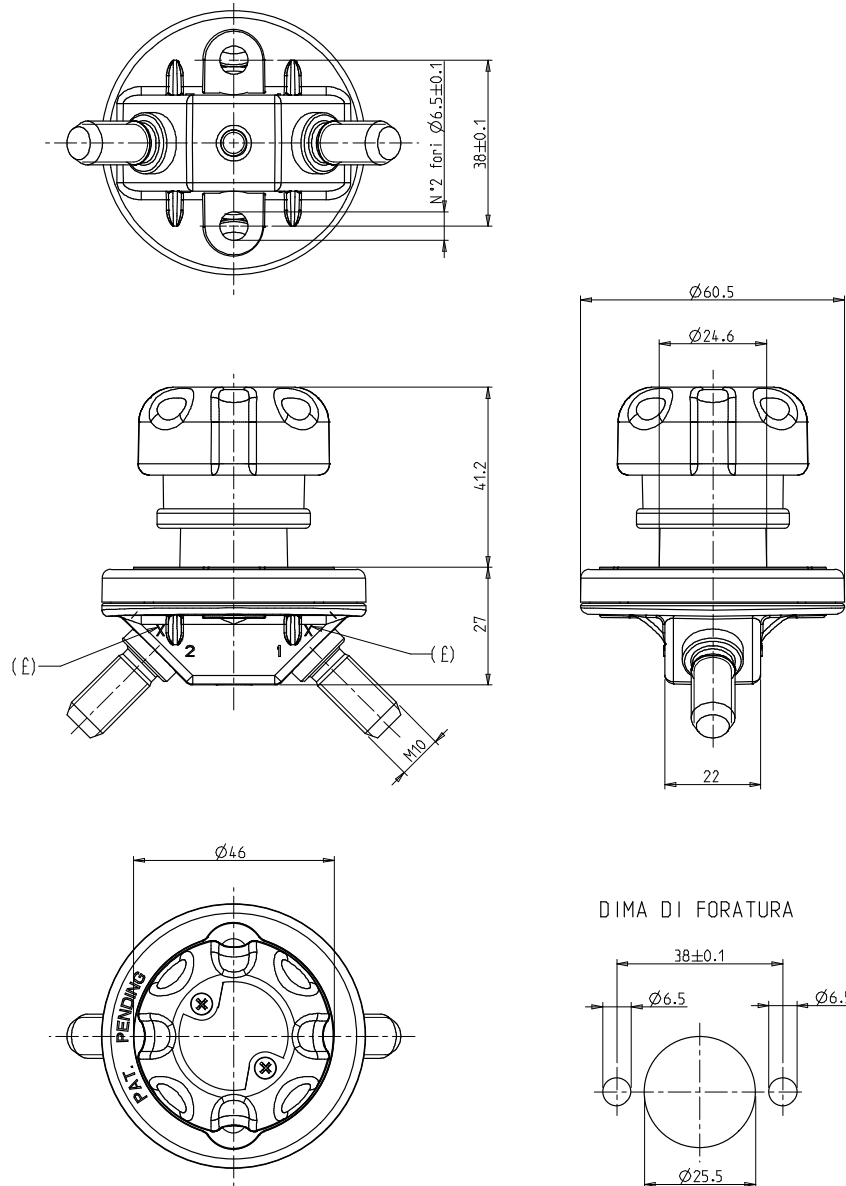


Ordering Information

| PART NUMBERS | | VOLTAGE | AMPERAGE | CIRCUITRY | MOUNTING | INGRESS | NOTES |
|--------------|-------------|-----------|----------|-----------|--------------|---------|-------------|
| BULK | BOXED | | | | | | |
| 08080200 | 08080200-BX | 12-24V DC | 150A | SPST | Through-Hole | IP65 | Push to off |

08080200 BATTERY DISCONNECT SWITCHES

Dimensions in millimeters



单击下面可查看定价，库存，交付和生命周期等信息

[>>Littelfuse\(美国力特\)](#)