

# SE-CS10 SERIES

## Current Sensor



### Description

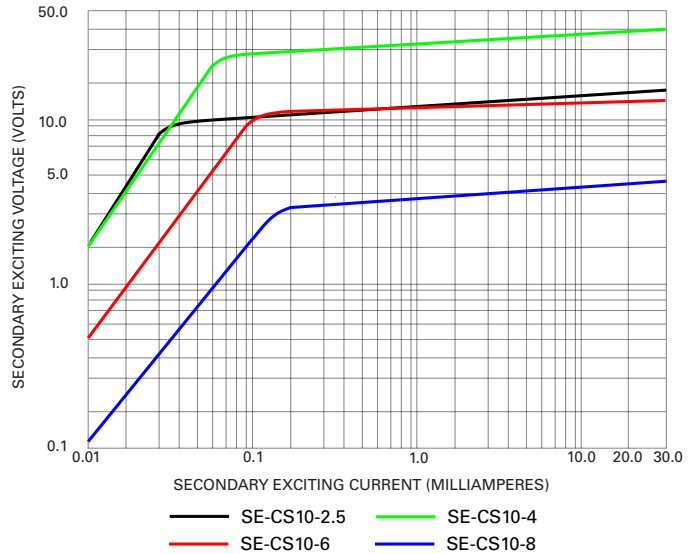
The SE-CS10 series is a current transformer used with Littelfuse relays to detect earth leakage current.

### Specifications

<b>Turns Ratio</b>	200:1
<b>Current Rating</b>	12.5:0.0625 A
<b>Accuracy</b>	1%
<b>Frequency</b>	50-400 Hz
<b>Insulation Level</b>	600 V, 10 kV BIL full wave
<b>Operating Temperature</b>	-40 to 60°C (-40 to 140°F)
<b>Application</b>	SE-134C, SE-135, SE-145, SE-330
<b>Certification</b>	CE
<b>Compliance</b>	IEC 60044-1

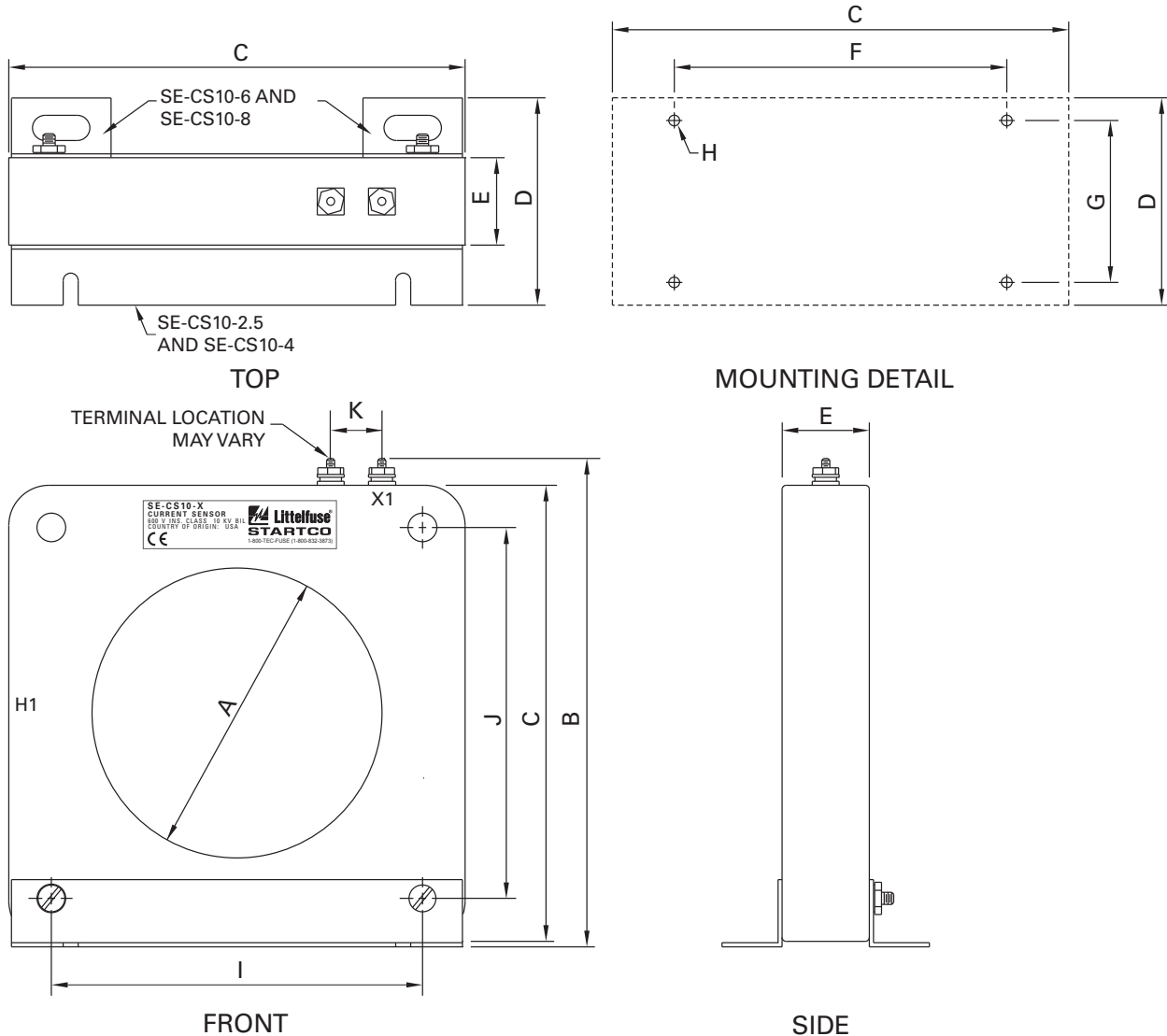
### Ordering Information

ORDERING NUMBER	WINDOW SIZE, ID	VA RATING	WEIGHT
SE-CS10-2.5	63.5 mm (2.5")	35	0.5 kg (1 lb)
SE-CS10-4	108.0 mm (4.25")	50	1.8 kg (4 lb)
SE-CS10-6	160.3 mm (6.3")	25	2.3 kg (5 lb)
SE-CS10-8	209.5 mm (8.25")	25	3.6 kg (8 lb)



# SE-CS10 SERIES

## Dimensions and Mounting Diagram



**NOTES:**

1. DIMENSIONS IN MILLIMETRES (INCHES).
2. RoHS COMPLIANCE PENDING.
3. EN 60044-1 COMPLIANT.

PART NUMBER	DIMENSIONS							MOUNTING SCREW H	DIMENSIONS		
	A	B	C	D	E	F	G		I	J	K
SE-CS10-2.5	63.5 (2.50)	135.1 (5.32)	124.0 (4.88)	72.6 (2.86)	27.9 (1.10)	69.9 (2.75)	54.4 (2.14)	M4 (8-32)	88.9 (3.50)	N/A	83.3 (3.28)
SE-CS10-4	108.0 (4.25)	184.0 (7.24)	169.9 (6.69)	77.2 (3.04)	32.5 (1.28)	123.7 (4.87)	60.5 (2.38)	M4 (8-32)	138.2 (5.44)	138.2 (5.44)	19.0 (0.75)
SE-CS10-6	160.3 (6.31)	229.0 (9.00)	215.9 (8.50)	101.6 (4.00)	31.8 (1.25)	165.0 (6.50)	73.2 (2.88)	M10 (0.375)	171.5 (6.75)	171.5 (6.75)	19.0 (0.75)
SE-CS10-8	209.5 (8.25)	279.4 (11.00)	266.7 (10.50)	108.7 (4.28)	38.9 (1.53)	225.0 (8.86)	80.0 (3.15)	M10 (0.375)	200.7 (7.90)	200.7 (7.90)	19.0 (0.75)

单击下面可查看定价，库存，交付和生命周期等信息

[>>Littelfuse\(美国力特\)](#)