

Blade Fuseholders - FH2 Stackable Block Fuseholder for ATO® Style Blade Fuse Rated 58V

RoHS



Specifications

- Housing:** Out of thermoplastic (UL 94-V0, heat-resistant)
- Connections:** Leaf spring connector systems, crimp contacts, copper alloy, tinned
- Color:** Black
- Cover:** Thermoplastic (transparent)

Blockholder for 42V PowerNet with coding for TAC fuses-links. Attachable in X- and Y-direction. Rated voltage 58V; crimp terminals.

Blockhalter für 42-V-PowerNet, mit Kodierung für TAC-Sicherungen. Montage in X- und Y-Richtung möglich. Nennspannung 58V, Crimp-Kontakte.

Dimensions in mm / Maße in mm

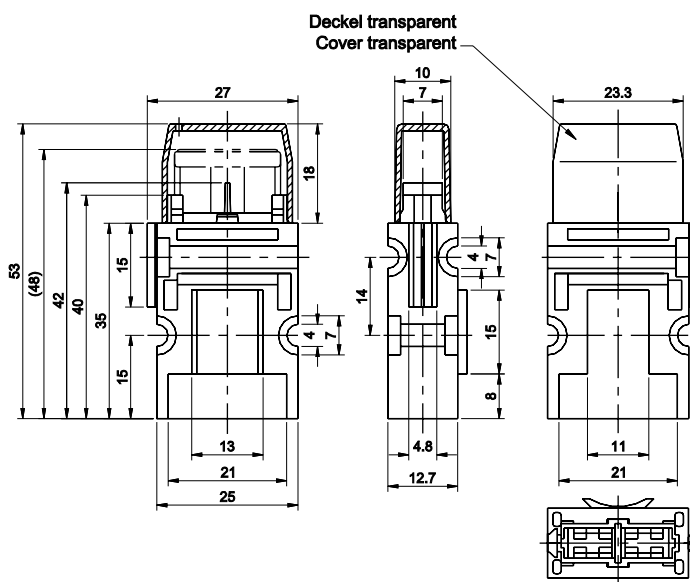
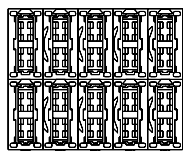
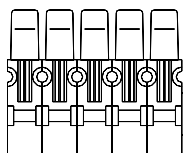


Chart for row-mounting



10er/pcs. Block



Part Number Artikel-Nr.	Description Beschreibung	Contact Temperature Kontakttemperatur
178.4205.000_	Complete with DFK 1.5 - 2.5 mm ²	max. 130°C
178.4215.000_	Housing	—
178.6125.000_	Cover	—
178.6116.100_*	DFK-Kontakte 0.5-1.0mm ²	max. 130°C
178.6116.250_*	Contacts 1.5-2.5mm ²	max. 130°C
178.6116.600_*	Contacts 4.0-6.0mm ²	max. 130°C

*Crimping tool available on request.

Last figure of part number = packaging code, see Section "Packaging Index," pg. 157.

Corresponding fuse links see Section "Blade Fuses."

单击下面可查看定价，库存，交付和生命周期等信息

[>>Littelfuse\(美国力特\)](#)