

# High Current & Voltage Cartridge Fuses

## Lead-free > 10x32mm Fuse > 526 Series



### Description

The 526 series fuses are specifically designed and tested to the circuit protection needs of compact auto-electronics applications, which is 500 Vdc/Vac rated with remarkable interrupting rating.

### Features

- RoHS compliant and Lead-free
- High Interrupt Rating

### Benefits

- Small size
- High current
- High voltage
- High breaking capacity

### Applications

- On-Board Charger (OBC)
- Power Distribution Unit (PDU)

### Agency Approvals

Agency	Agency File Number	Ampere Range
	E10480	30 A to 60 A

### Electrical Characteristics

% of Ampere Rating	Ampere Rating	Opening Time at 25°C
100%	30 A to 60 A	4 hours, Min.
135%	30 A to 60 A	60 minutes, Max.
200%	30 A to 60 A	120 seconds, Max.

### Electrical Specifications

Ampere Rating (A)	Amp Code	Max Voltage Rating (V)	Interrupting Rating (AC/DC)	Nominal Code Resistance (mOhm)	Nominal Melting I <sup>2</sup> t (A <sup>2</sup> sec)	Agency Approvals
30	030.	500VDC 500VAC	10KA@500VDC 10KA@500VAC	0.0028	1070	x
40	040.			0.0020	2340	x
50	050.			0.0014	3850	x
60	060.	500VDC 300VAC	10KA@500VDC 10KA@300VAC	0.0011	6290	x

### Additional Information



Resources



Accessories

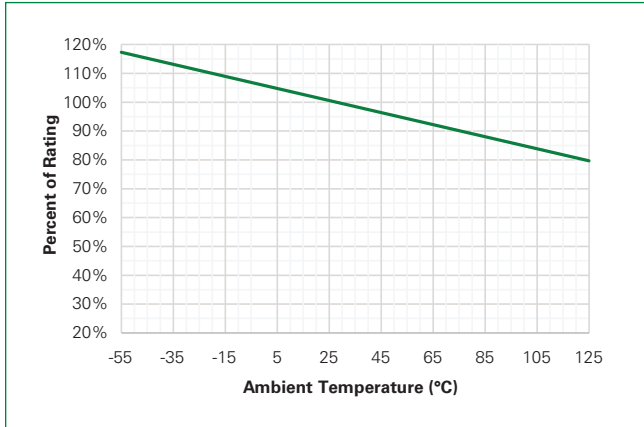


Samples

# High Current & Voltage Cartridge Fuses

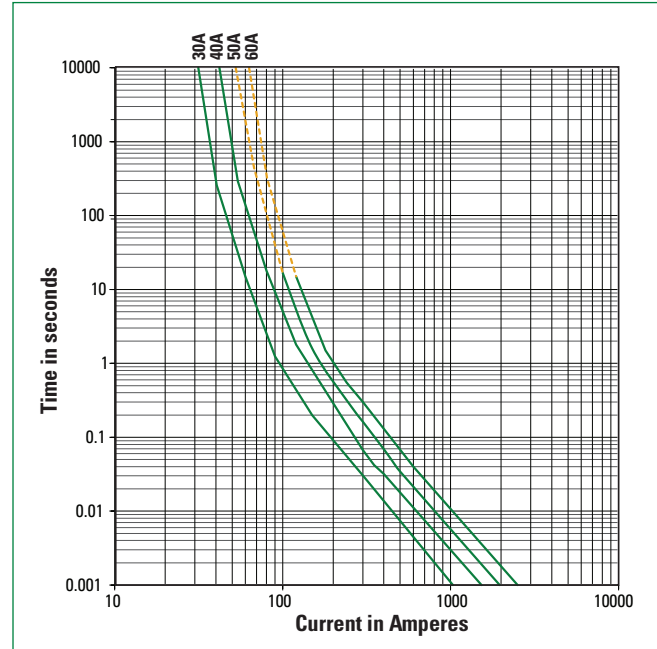
Lead-free > 10x32mm Fuse > 526 Series

## Temperature Re-rating Curve



**Note:**  
Rerating depicted in this curve is in addition to the standard derating of 25% for continuous operation.

## Average Time Current Curves

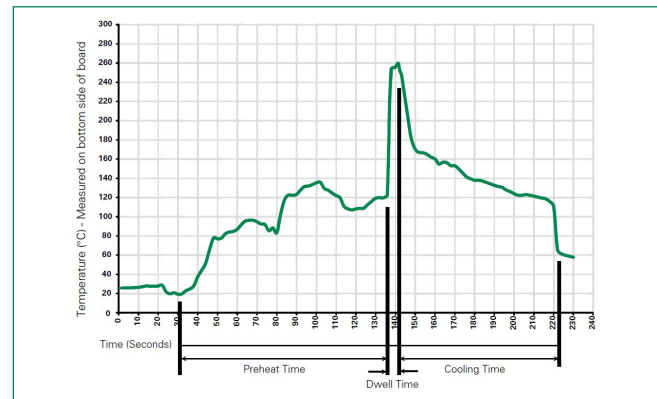


**Note:**  
For 50A, 60A rating, it may not break current consistently when overload current is less than 200%In (represented by dotted portion of this time-current curve), as maybe arc current continuously pass-through fuse under this condition. Do not recommend to use conditions of below 200%In overload.

## Product Characteristics

<b>Materials</b>	<b>Body:</b> Glass fiber <b>Cap:</b> Ni plated copper alloy <b>Terminal:</b> Ni/Sn plated copper alloy
<b>Mechanical Shock</b>	MIL-STD-202, Method 213, Test Condition I (100 G's peak for 6 milliseconds)
<b>Solderability</b>	Reference MIL-STD-202 method 208
<b>Product Marking</b>	Cap 1: Brand logo, current and voltage ratings Cap 2: Agency approval marks
<b>Resistance to Solder Heat</b>	MIL-Std 202 Method 210 Test Condition B (10 sec at 260 °C)
<b>Operating Temperature</b>	-55 °C to +125 °C
<b>Thermal Shock</b>	MIL-STD-202G, Method 107G, Test condition B
<b>Vibration</b>	MIL-STD-202G, Method 201A
<b>Moisture Resistance</b>	MIL-STD-202G, Method 103B, Test condition A
<b>Salt Spray</b>	MIL-STD-202G, Method 101E, Test condition B

## Soldering Parameters–Wave Soldering



Wave Parameter	Lead-Free Recommendation
<b>Preheat:</b> (Depends on Flex Activation Temperature)	(Typical Industry Recommendation)
Temperature Minimum	100 °C
Temperature Maximum	150 °C
Preheat Time	60–180 seconds
<b>Solder Pot Temperature</b>	260 °C Maximum
<b>Solder Dwell Time</b>	2–5 seconds

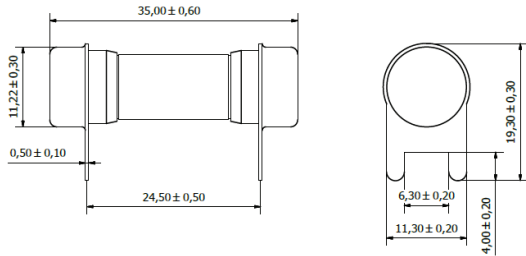
**Recommended Hand-Solder Parameters:**  
Solder Iron Temperature: 350 °C +/- 5 °C  
Heating Time: 5 seconds max.  
**Note:** These devices are not recommended for IR or Convection Reflow process.

# High Current & Voltage Cartridge Fuses

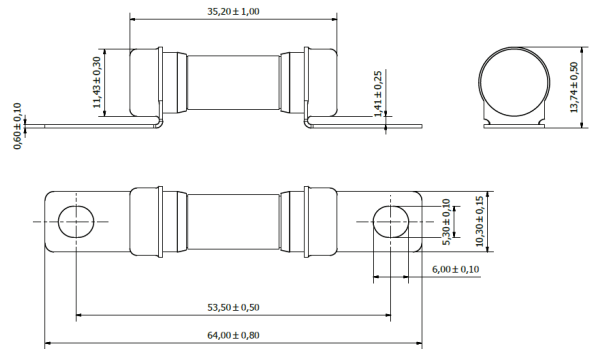
## Lead-free > 10x32mm Fuse > 526 Series

### Dimensions

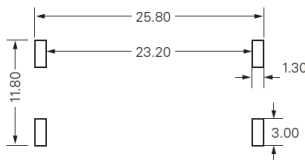
- Through hole terminal



- Bolt down terminal

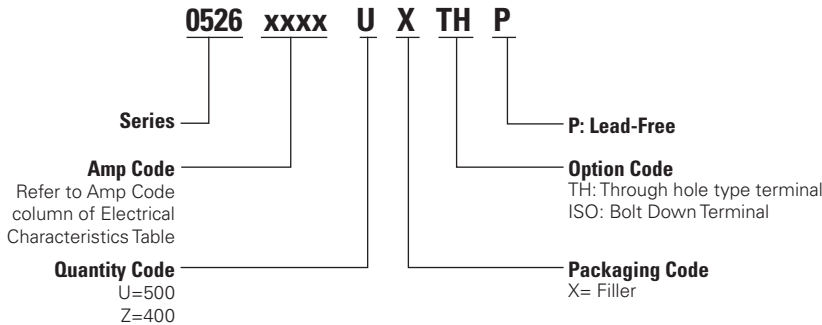


Recommended PCB layout



Unit: mm

### Part Numbering System



### Packaging

Packaging Option	Packaging Specification	Quantity	Quantity & Packaging Code	Reel Size
<b>526 Through hole terminal</b>				
Tray	NA	500	NA	NA
<b>526 Bolt down terminal</b>				
Tray	NA	400	NA	NA

**Disclaimer Notice** - Information furnished is believed to be accurate and reliable. However, users should independently evaluate the suitability of and test each product selected for their own applications. Littelfuse products are not designed for, and may not be used in, all applications. Read complete Disclaimer Notice at <http://www.littelfuse.com/disclaimer-electronics>.

单击下面可查看定价，库存，交付和生命周期等信息

[>>Littelfuse\(美国力特\)](#)