

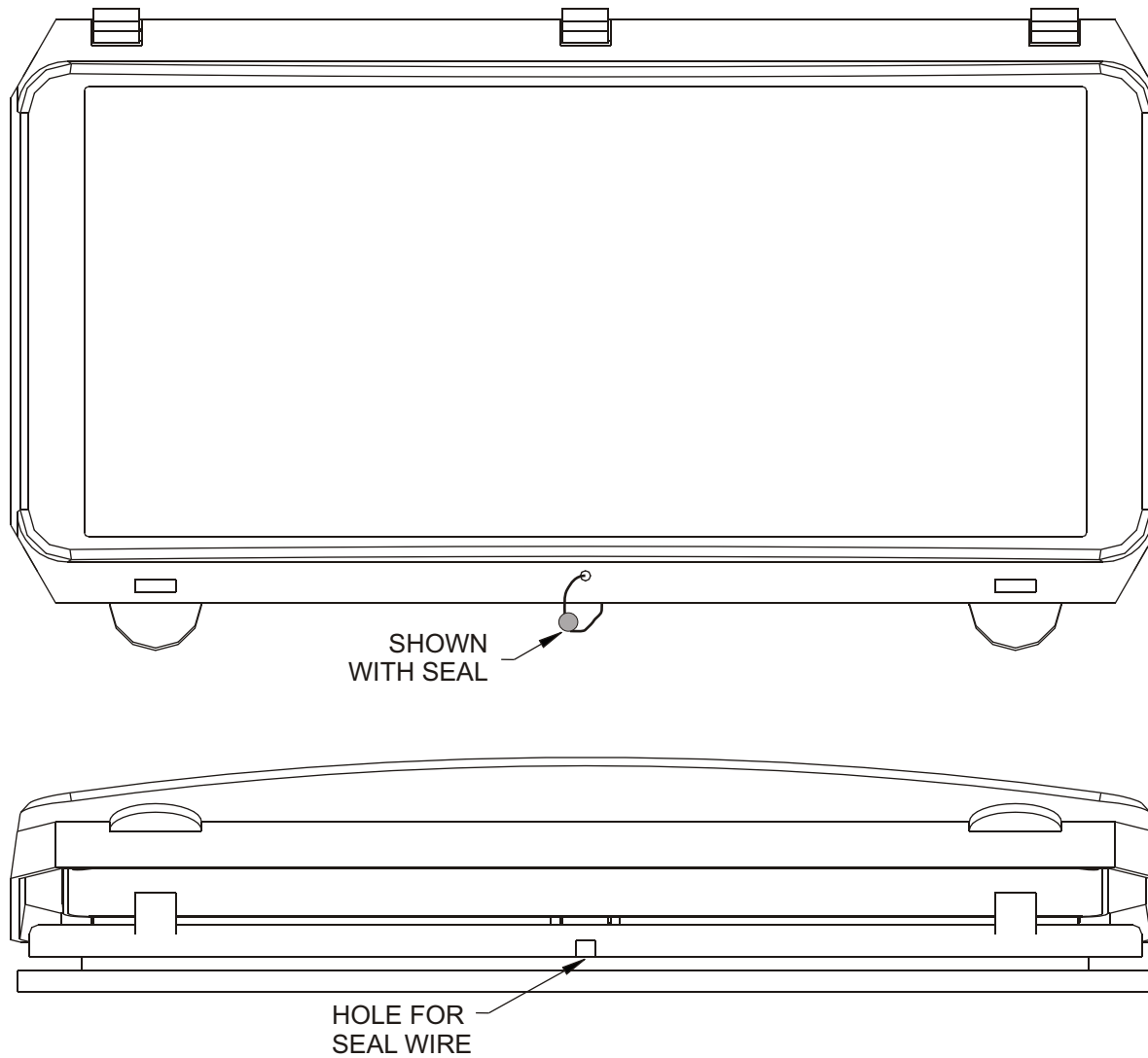
INSTALL O-RING INTO GROOVE IN THE REAR OF WEATHERPROOF WINDOW

INSERT OPERATOR INTERFACE THROUGH OPENING OF THE WEATHERPROOF WINDOW, UNTIL IT IS SECURELY NESTED TO THE BACK OF THE DARK GREY PVC PANEL AND SECURE WITH MPS-OPI PANEL-MOUNT BRACKETS

INSTALL O-RING INTO THE GROOVE IN THE REAR OF WEATHERPROOF WINDOW ASSEMBLY.

INSERT ASSEMBLY INTO PANEL AND FASTEN WITH THE HARDWARE PROVIDED.

## SE-IP65CVR-M - MPS-OPI WEATHERPROOF COVER INSTALLATION INSTRUCTIONS



WEATHERPROOF COVER SNAPS CLOSED.

TO PREVENT UNAUTHORIZED ENTRY:

1. USE WIRE SEAL THROUGH HOLES IN WEATHERPROOF COVER ASSEMBLY, OR
2. SECURE WITH THE PLASTIC THREAD FORMING SCREW SUPPLIED IN KIT.

单击下面可查看定价，库存，交付和生命周期等信息

[>>Littelfuse\(美国力特\)](#)