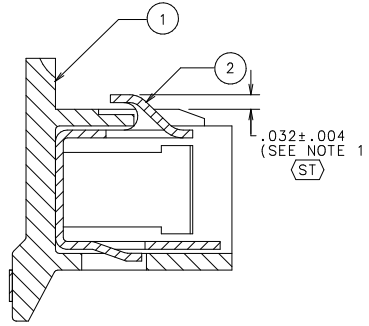
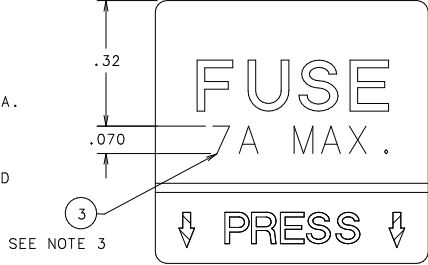


PART NO.	KNOB ①	KNOB COLOR	MARKING	FOIL ③
03480001Z	-348001-3	RED	-	-
03480002Z	-348002-3	GREEN	-	-
03480003Z	-348003-3	YELLOW	-	-
03480004Z	-348004-3	BLUE	-	-
03480005Z	-348005-3	WHITE	-	-
03480007Z	-348007-3	BLACK	-	-
03480009Z	-348009-3	GRAY	-	-
03480007ZXS7	-348007-3	BLACK	7A MAX.	-425701
03480007ZXS8	-348007-3	BLACK	8A MAX.	-425701
03480007ZXS10	-348007-3	BLACK	10A MAX.	-425701
03480007ZXS12	-348007-3	BLACK	12A MAX.	-425701
03480007ZXS15	-348007-3	BLACK	15A MAX.	-425701
03480007ZXS3	-348007-3	BLACK	3A MAX.	-425701
03480009ZXS8	-348009-3	GRAY	8A MAX.	-425701



NOTES:

1. WITH KNOB ASSEMBLY POSITIONED OVER A .250 DIA. PIN, THE HEIGHT OF THE LOCK TAB MUST BE HELD TO DIMENSION SHOWN TO INSURE PROPER LATCHING WITH BODY ASSEMBLY.
2. FOIL QTY/M IS ONE HALF OF ACTUAL BECAUSE THE 1/2 WIDTH OF ROLL IS USED, THEN TURNED AROUND AND OTHER 1/2 USED.
3. AMP. MARKING IS HOT STAMPED INTO KNOB. SEE CHART FOR CORRECT MARKING.



PACKAGING NOTES:

STANDARD PACKAGE AS FOLLOWS:

PLACE KNOB ASSEMBLIES (3000 PCS MAX) INTO SMALL TOTE -580566. COVER AND APPLY BARCODE LABEL -914-796 PRINTED TO GENERAL LABEL SPEC. LS-000003.

FOR SMALLER QUANTITIES, PACK AS FOLLOWS:

QUANTITY OF ASSEMBLIES PER CONTAINER IS VARIABLE AS LONG AS CONTAINER CAN BE CLOSED WITHOUT DAMAGING PARTS. CARTONS SHOULD BE LINED WITH A BAG, SEALED WITH TAPE -088120 AND BARCODE LABELED WITH -914-796 PRINTED PER GENERAL LABEL SPEC. LS-000003.

4	SEE CHART	TAPE, FOIL (NOTE 2)	FT
3	-348000-5	INSERT	31.25
2			1000
1		KNOB	EA
NO	COMPONENT NO	DESCRIPTION	QTY/M

BILL OF MATERIAL					
MATERIAL SPEC		FINISH		SCALE	
DRW	KAM	DATE	12/4/97	4:1	
CHK		DATE		SUPER DRW	
APPD		DATE		RAW STK WT	
1	9	18			LBS/M
2	10	19			
3	12	20			
4	13	21			
5	14	23			
6	15	33			
7	16	43			
8	17	53			

REVISION		CHK	APD
E	38882C-REVISE & REDRAWN IN NEW STRUCTURE 1/6/98 KAM		
F	38967D - TAPE FOIL WAS 375.0 FT, MARKING COL WAS ADDED -914-796 375 PACK		
	- LEGEND, ADDED NOTE 3		
	- NOTE 02/27/98 GNIK		

UNLESS OTHERWISE SPECIFIED, DIMENSIONS DO NOT INCLUDE PLATING.

1 DENOTES CRITICAL CHARACTERISTICS.

2 DENOTES CPK DIMENSIONS - MINIMUM CPK VALUE

3 DENOTES A CHARACTERISTIC THAT PROVIDES AN INDICATION OF ACCEPTANCE TO THE INSPECTOR'S PROCEDURE FOR MEASUREMENT AND TESTING TO THE TOLERANCE SPECIFIED IN THE INSTRUCTIONS.

4 DENOTES CP DIMENSIONS - MINIMUM CP VALUE

5 DENOTES DIMENSIONS WITHIN THE DIMENSIONAL LIMITATIONS SHOWN. FOR MAXIMUM TOOL LIFE.

CONTROLLED DOCUMENT

LOW PROFILE KNOB ASS'Y

Litefuse®
DES PLAINES, ILL (NO) 60016

REVISED BY: F
DATE: 12/4/97
SCALE: 4:1
SUPER DRW
RAW STK WT
LBS/M
TOLERANCE UNLESS OTHERWISE SPECIFIED
TWO PLACE DEC ±.01
THREE PLACE DEC ±.005
ANGULAR ±1°

FINAL 03480001Z THRU 03480009ZXS8

Downloaded From Oneyac.com

单击下面可查看定价，库存，交付和生命周期等信息

[>>Littelfuse\(美国力特\)](#)