

Specification Status: Released

Maximum Operating Voltage: 250V_{DC}

Fault Ratings at 20°C:

- 250V_{AC}, 3A, 10 applications
- 600V_{AC}, 60A, 1 application

Additional Info at 20°C:

- Resistance matched: 0.5 Ohm (measured 24 hours after reflow installation)
- Line Balance: Tested in accordance with IEEE455
- Helps equipment meet UL60950 (UL1459)

Lead Material: Tin plated brass

Configuration: Two PPTC devices per TSM600 part

Case Material:

Nylon Resin (UL94 V-0) 1000V dielectric rating

Marking:

- Manufacturer's Mark
- TSM600-4 - Part Identification
- □ □ □ - Lot identification

Terminal Description:

- T1 = Tip In T4 = Tip Out
- R2 = Ring In R3 = Ring Out

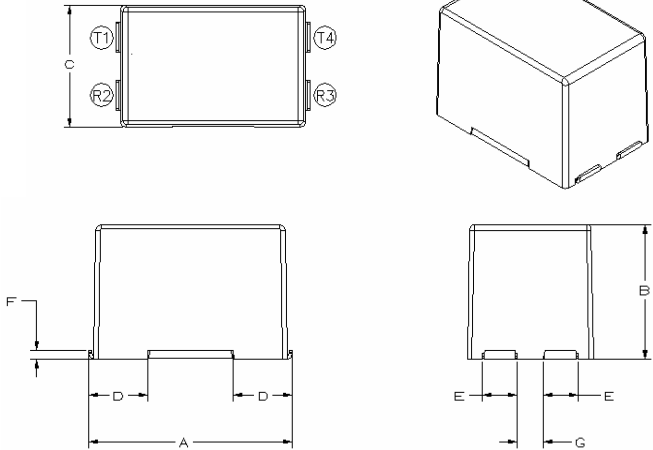


TABLE I. DIMENSIONS:

	A		B		C		D		E		F		G	
	MIN	MAX	MIN	MAX	MIN	MAX	MIN	MAX	MIN	MAX	MIN	MAX	MIN	MAX
mm:	17.0	17.6	11.2	11.7	10.4	11.2	4.8	5.2	2.5	2.8	0.6	1.0	2.2	3.1
in:	(0.671)	(0.691)	(0.440)	(0.460)	(0.410)	(0.440)	(0.187)	(0.203)	(0.099)	(0.111)	(0.022)	(0.038)	(0.087)	(0.122)

TABLE II. PERFORMANCE RATINGS @ 20°C:

HOLD CURRENT (A)	TRIP CURRENT (A)	RESISTANCE (Ω)**			TIME TO TRIP(Sec) @ 3A		OPERATING TEMPERATURE (°C)		TRIPPED POWER DISSIPATION (W) @ 250V _{DC} TYP
		R MIN	R TYP	R ₁ MAX*	TYP	MAX	MIN	MAX	
0.400	1.000	0.5	1.1	2.0	5.0	14.0	-40	85	2.0

*Maximum device resistance, measured 1-hour post reflow or post trip
** Resistance per PPTC device.

- Storage Humidity: Per IPC/JEDEC J-STD-020A Level 2a
- Agency Recognitions: UL (File # E74889)
- Reference Documents: PS300, PS500
- Precedence: This specification takes precedence over documents referenced herein.
- Effectivity: Reference documents shall be the issue in effect on the date of invitation for bid.

MATERIALS INFORMATION

ROHS Compliant **ELV Compliant** **Pb-Free**
Directive 2002/95/EC Compliant Directive 2000/53/EC Compliant

Information furnished is believed to be accurate and reliable. However, users should independently evaluate the suitability of and test each product selected for their own applications. Littelfuse products are not designed for, and shall not be used for, any purpose (including, without limitation, military, aerospace, medical, lifesaving, life-sustaining or nuclear facility applications, devices intended for surgical implant into the body, or any other application in which the failure or lack of desired operation of the product may result in personal injury, death, or property damage) other than those expressly set forth in applicable Littelfuse product documentation. Warranties granted by Littelfuse shall be deemed void for products used for any purpose not expressly set forth in applicable Littelfuse documentation. Littelfuse shall not be liable for any claims or damages arising out of products used in applications not expressly intended by Littelfuse as set forth in applicable Littelfuse documentation. The sale and use of Littelfuse products is subject to Littelfuse Terms and Conditions of Sale, unless otherwise agreed by Littelfuse.

单击下面可查看定价，库存，交付和生命周期等信息

[>>Littelfuse\(美国力特\)](#)