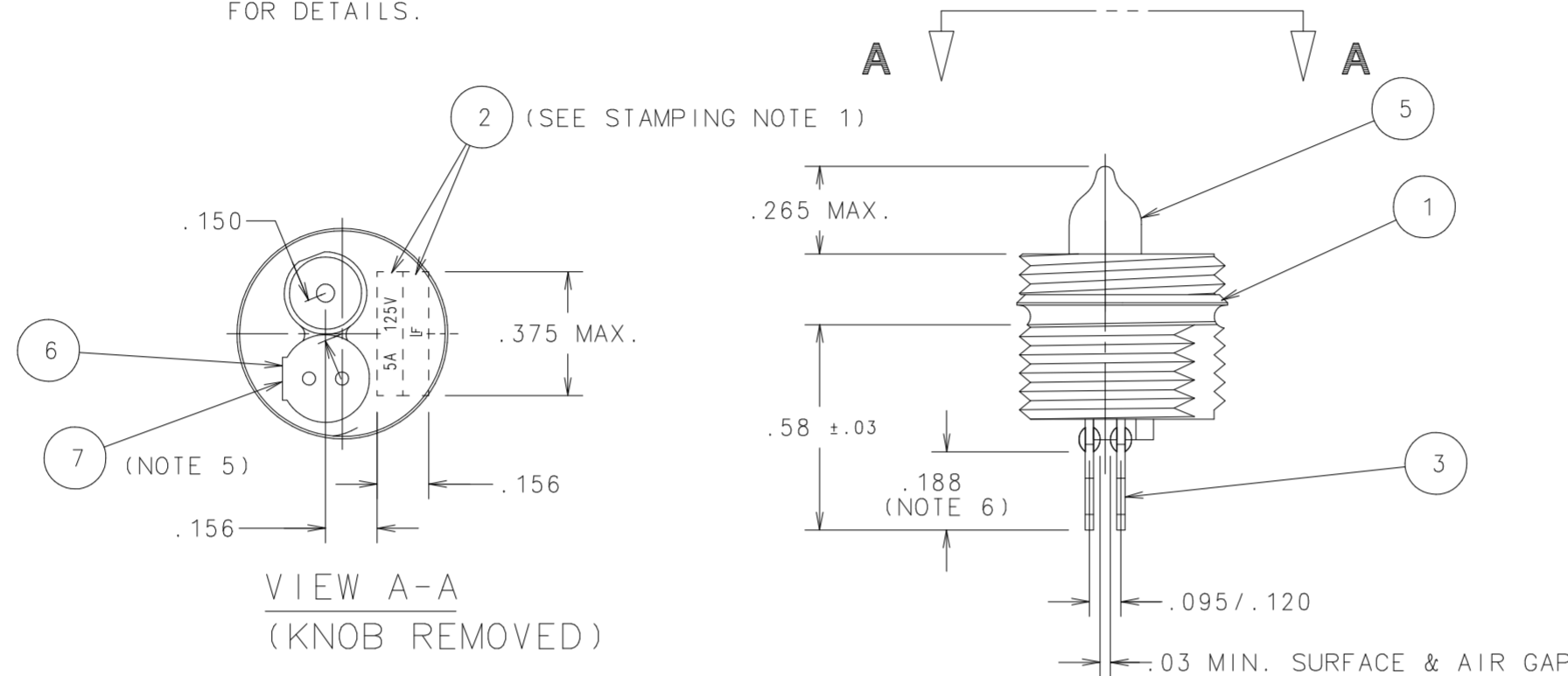


		REVISION			CHK	APD
G	10/25/02	82332C-	REVISED & REDRAWN ON NEW FORMAT	JMB		
H	03/07/07	85292B-	CHG 692227 TO 692469	PJM		

STAMPING NOTE:
 1. INK PRINT: 1/16" CHARACTERS FOR TWO LINE STAMPING & 5/64" FOR ONE LINE. "LF" TRADEMARK TO HAVE 1/16" CLEARANCE BETWEEN LETTERS. SEE CHART FOR DETAILS.



VIEW A-A
(KNOB REMOVED)

--	914-796	LABEL	6.700	EAD
--	580509	CARTON	6.700	EAD
--	580278	PARTITION	20.100	EAD
--	580219	FOAM	6.700	EAD
11	901-104	O-RING	1000	EA
10	899-042	RESISTOR	1000	EA
9	903-067	NUT	1000	EA
8	284000-2	KNOB	1000	EA
7	087232	ADHESIVE	.27	LB
6	281002-4	ORIENTATION DISC	1000	EA
5	915-017	LAMP	1000	EA
4	692469	SOLDER (TIN DIP)	.20	LB
3	281002-3	TERMINAL	2000	EA
2	425502	INK	.016	FOZ
1	284000-1	BODY	1000	EA
NO	COMPONENT NO	DESCRIPTION	QTY/M	U/M

BILL OF MATERIAL

UNLESS OTHERWISE SPECIFIED, DIMENSIONS DO NOT INCLUDE PLATING.

Ø	DENOTES CRITICAL CHARACTERISTICS.
CPK	DENOTES CPK DIMENSIONS, -MINIMUM CPK VALUE
ST	DENOTES A CHARACTERISTIC THAT PROVIDES AN INDICATION OF PROCESS PERFORMANCE. PROCEDURE FOR MEASUREMENT AND TRACKING TO BE DEFINED IN LITTELFUSE INSPECTION INSTRUCTIONS.
CP	DENOTES CP DIMENSIONS, -MINIMUM CP VALUE MUST BE WITHIN THE DIMENSIONAL LIMITATIONS SHOWN ON DRAWING AND INITIALLY LOCATED TO ALLOW FOR MAXIMUM TOOL LIFE.

COPIES TO: 1 9 18, 2 10 19, 3 12 20, 4 13 21, 5 14 23, 6 15 33, 7 16 43, 8 17 53

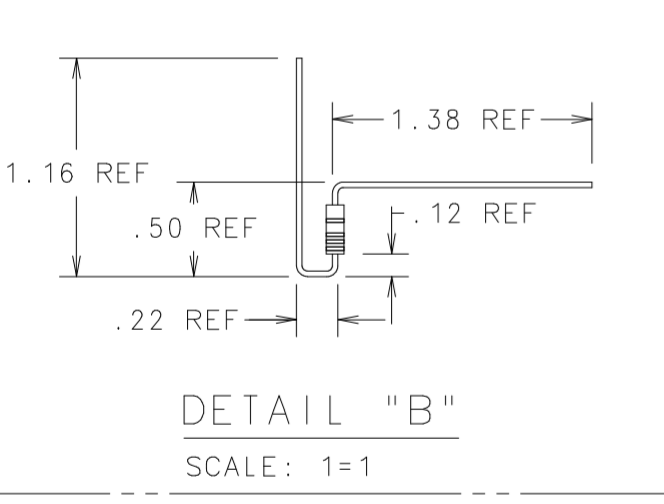
MATL SPEC: FINISH

DRW: JMB, DATE: 10/25/02, SCALE: 2=1

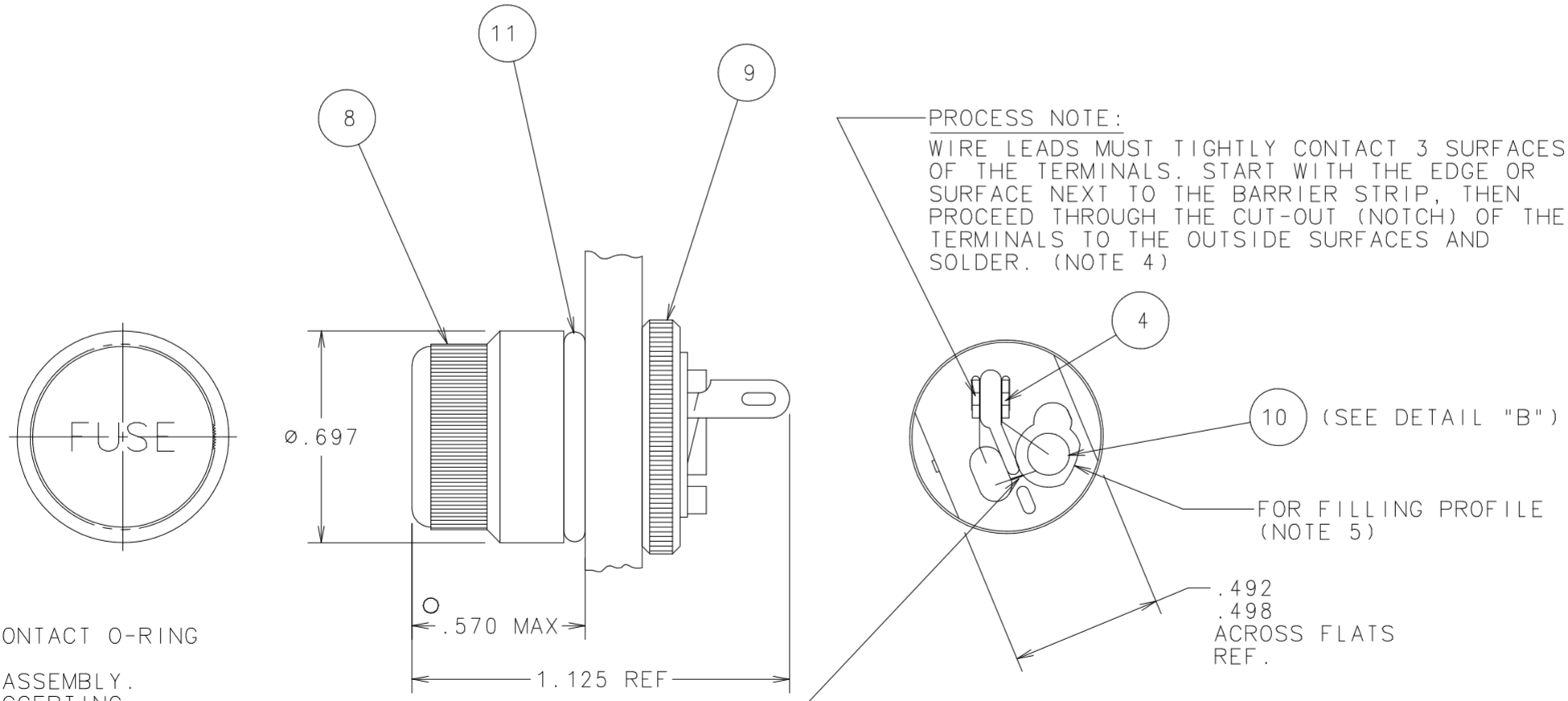
CHK: DATE: SUPER DR

APPD: DATE: RAW STK WT

TOLERANCE UNLESS OTHERWISE SPECIFIED:
 TWO PLACE DEC ±.01 FRACTION ±
 THREE PLACE DEC ±.005 ANGULAR ±1°



DETAIL "B"
SCALE: 1=1



PROCESS NOTE:
 WIRE LEADS MUST TIGHTLY CONTACT 3 SURFACES OF THE TERMINALS. START WITH THE EDGE OR SURFACE NEXT TO THE BARRIER STRIP, THEN PROCEED THROUGH THE CUT-OUT (NOTCH) OF THE TERMINALS TO THE OUTSIDE SURFACES AND SOLDER. (NOTE 4)

PROCESS NOTE:
 LAMP LEADS TIGHTLY WRAPPED TO WIRE OR RESISTOR LEAD, BENT DOWN TOWARD RESISTOR AS FAR AS POSSIBLE & BELOW THE SURFACE OF THE MOLDED HOLDER, IF POSSIBLE. CAUTION MUST BE EXERCISED TO PREVENT BREAKAGE OF LAMPS GLASS ENVELOPE AT WIRE LEAD SEAL. SOLDER DIP TERMINALS AND LEAD INTERFACES.

- NOTES:
1. WHEN KNOB IS HAND TIGHTENED IT MUST CONTACT O-RING TO PROVIDE A DRIPPROOF SEAL.
 2. LAMP TEST MUST BE PERFORMED FOR EACH ASSEMBLY.
 3. FINAL ASSEMBLIES MUST BE CAPABLE OF ACCEPTING A L/F MICROFUSE.
 4. EXCESS FLUX & RESIDUE FROM SOLDERING MUST BE REMOVED FROM THE TERMINALS & BODY SURFACES BETWEEN & AROUND THE TERMINALS. WRAPPED WIRES & TERMINALS TO BE FULLY WETTED & COVERED WITHOUT EVIDENCE OF COLD SOLDERING, EXCESSIVE SOLDER OR EXCESSIVE HEAT.
 5. AFTER DISK IS PRESSED IN BODY, APPLY AND SPREAD A CONTROLLED AMOUNT OF ADHESIVE WITH A SYRINGE AROUND THE PERIMETER OF THE DISK AND BODY JOINT. AFTER GLUEING, THE ASSEMBLY CAN NOT BE SUBMERSED IN CLEANING SOLUTIONS. NO ADHESIVE ALLOWED IN THE FUSE TERMINAL HOLES.
 6. THERE MUST NOT BE EXCESS SOLDER BUILD-UP FOR THIS DISTANCE: TERMINAL THICKNESS PLUS SOLDER MUST NOT EXCEED .035 TOTAL THICKNESS.

PACKAGING NOTE:
 1. PLACE ASSEMBLED FUSEHOLDERS (150 PIECES MAX) INTO CARTON 580509 LINED WITH BAG 890-620, CLOSE & SEAL WITH TAPE 088120. AFFIX LABEL 914-796 PRINTED TO GENERAL LABEL SPECIFICATION LS-000003. FOR SMALLER QUANTITIES, USE THE SAME PACKING MATERIALS AND ADD BROWN PAPER TO FILL THE EMPTY SPACE IN THE CARTON.

TITLE: INDICATING MICRO-FUSE HOLDER WITH STRAIGHT TERMINALS

	REVISION: H	DRWG. NO.: 02800003Z
--	-------------	----------------------

DES PLAINES, ILLINOIS 60016

UNLESS OTHERWISE SPECIFIED, DIMENSIONS DO NOT INCLUDE PLATING.

单击下面可查看定价，库存，交付和生命周期等信息

[>>Littelfuse\(美国力特\)](#)