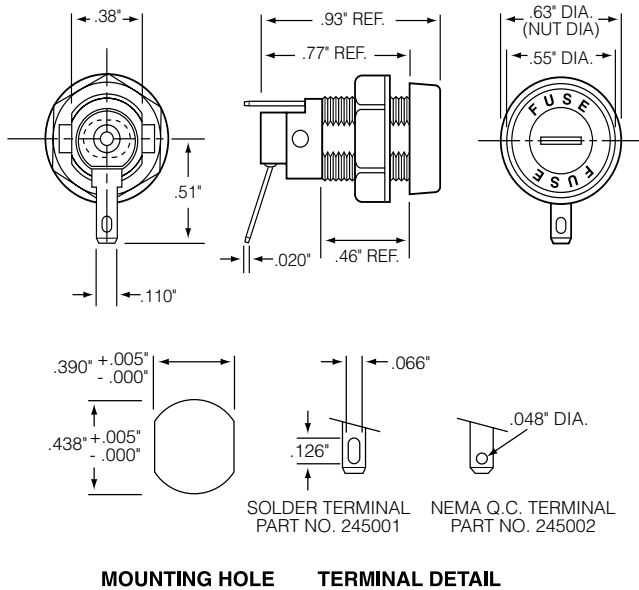


245 Series Shock-Safe Fuse Holders for 2AG Fuses



Dimensions



Product Characteristics

Compatible Fuse Size	225 Series, 229 Series, 2200029 Series
Features	Screwdriver slot knob style provides low profile Shock-safe design reduces possibility of electrical shock.
Electrical	Rated at 10 amperes for any voltage up to 300 volts. Insulation Resistance: 10,000 megohm minimum at 500 VDC. Contact Resistance: Less than .005 ohm average at currents up to 1 ampere.
Dielectric Strength	4000 volts terminal to panel, 3000 volts terminal to terminal. Mounting: Withstands 10 lb.-in. mounting torque. Maximum panel thickness is 250".
Molded Parts	Body, knob, and hex nut material: Black, glass reinforced thermoplastic.
Knob	Screwdriver slot, fuse extractor type with nickel-plated, beryllium copper insert. Stainless steel spring.
Terminals	Brass. Tin-plated. Solder/Q.C. Terminals accept soldered wire or a .110" quick-connect receptacle. The NEMA-style .110" Q.C. terminal has a .048" hole.
Ambient Temperature*	-40°C to +85°C.

* - Refer to [Fuseology](#) for information on proper fuseholder re-rating.

Agency Approvals

Agency	Agency File Number
	E14721
	7316

Additional Information



Datasheet



Resources



Samples

Ordering Information

Ordering Number	Catalog Number	Type of Terminal	Packaging
02450001H	245001	Solder/Q.C. Terminal	Bulk 100 pieces
02450001X	245001	Solder/Q.C. Terminal	Bulk 100 pieces
02450002H	245002	NEMA Q.C. Terminal	Bulk 100 pieces
02450002X	245002	NEMA Q.C. Terminal	Bulk 100 pieces

Note: Part number 02450002 can be supplied with lockwasher or neoprene washer, or both.
Add to the end of part number a "L" for lockwasher and "N" for neoprene washer or "LN" for both.

Disclaimer Notice - Information furnished is believed to be accurate and reliable. However, users should independently evaluate the suitability of and test each product selected for their own applications. Littelfuse products are not designed for, and may not be used in, all applications. Read complete Disclaimer Notice at: www.littelfuse.com/disclaimer-electronics.

单击下面可查看定价，库存，交付和生命周期等信息

[>>Littelfuse\(美国力特\)](#)