

## SCR SERIES

### Universal Lamp Alarm Relay

CE   
(SCR430T only)



### Description

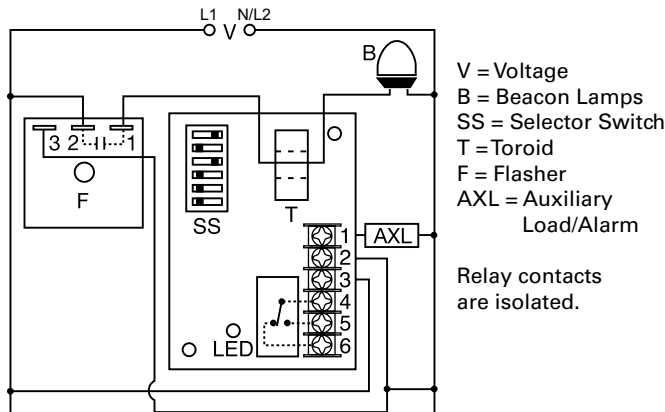
The SCR series is a universal lamp alarm relay designed to sense the failure of flashing or steady incandescent beacon lamps or steady side lights. The toroidal current sensor provides isolation and allows monitoring of more than one line at a time. The SCR Series energizes when one or more lamps fail. It will monitor the operation of one to four side lights and up to four beacon lamps.

### Operation

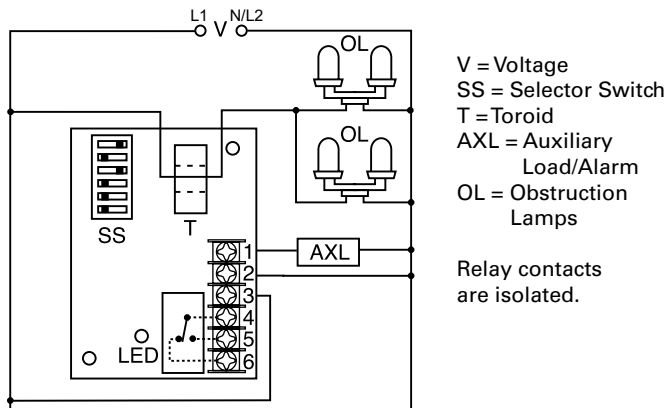
When a lamp fails, the SCR Series senses a decrease in current flow. After a fixed time delay, the LED glows and the two alarm outputs energize. The outputs are reset when the failed lamps are replaced and the current returns to the nominal setting, or when the input voltage is removed. The SCR will sense an open flasher, it will not sense a continuously ON flasher (see FB Series).

### Wiring Diagram

BEACON LAMP CONNECTION DIAGRAM



OBSTRUCTION LAMP CONNECTION DIAGRAM



### Features & Benefits

FEATURES	BENEFITS
<b>Toroidal current sensing</b>	Provides isolation from the lighting circuit and allows monitoring of multiple lines simultaneously
<b>Monitors 1-4 side lights or up to 4 beacon lamps</b>	Senses failed incandescent flashing beacon or steady obstruction lamps
<b>Isolated, 10A, SPDT alarm output plus one 1A, solid-state line voltage alarm output</b>	Provides alarm indication and can also be used for remote monitoring of the lighting system
<b>Fixed trip delay (6s)</b>	Prevents nuisance alarms
<b>Switch selectable number, voltage, and wattage of lamps</b>	User selectable to meet wide application needs with one relay

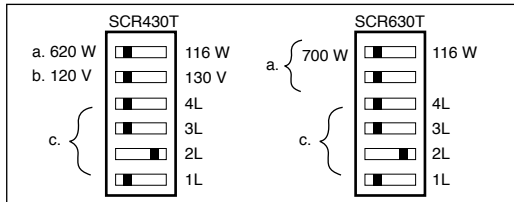
### Ordering Information

MODEL	INPUT	LAMP TYPE
SCR430T	120VAC	Incandescent
SCR630T	230VAC	Incandescent

If you don't find the part you need, call us for a custom product 800-843-8848

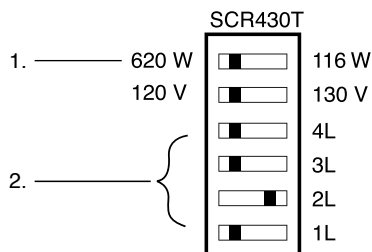
## SCR SERIES

### Selection Range



- Lamp Wattage - Select the lamp wattage of the lamps in use.
- Lamp Voltage - Select the lamp voltage shown on the lamp (SCR430T)
- Lamps ON - Select the number of lamps on during normal operation. Only one lamp switch at a time may be transferred to the right.

### Programming Example



Example Shown: SCR430T-620 watts at 120 VAC lamps, two lamps are ON during normal operation.

#### STEP

- Select lamp wattage: 116 or 620 watts
- Select the number of lamps ON (1 thru 4) during normal operation. Only one lamp switch may be ON (RIGHT) at any time.

### Specifications

#### Operation

**Lamp Monitoring**  
**Capacity (in lamps)**  
**SCR430T 120VAC Lamps**  
**SCR630T 230VAC Lamps**

100W	116W	620W	700W
4	4	4	n/a
n/a	4	n/a	4

#### Time Delay

#### Trip Delay

Factory fixed  $\approx$  6s

#### Input

#### Input Voltage/Tolerance

SCR430T - 120VAC  $\pm$ 10%  
 SCR630T - 230VAC  $\pm$ 10%

#### AC Line Frequency

#### Output

#### Line Voltage Output (Solid-state Rated)

To operate a spare lamp or alarm

$\leq$  125W @ 120VAC  
 $\leq$  250W @ 240VAC

#### Isolated Alarm Output (SPDT)

10A @ 240VAC or 30VDC resistive;  
 1/4 hp @ 125VAC; 1/2 hp @ 250VAC

#### Mechanical

#### Mounting

#### Dimensions

Two #6 (M3.5 x 0.6) screws  
**H** 88.9 mm (3.5"); **W** 63.5 mm (2.5");  
**D** 44.5 mm (1.75")

#### Termination

Screws with captive clamps for up to 14 AWG (2.45 mm<sup>2</sup>) wire

#### Protection

#### Circuitry

#### Environmental

#### Operating Temperature Weight

Encapsulated

-55° to 65°C  
 $\approx$  6.8 oz (193 g)

单击下面可查看定价，库存，交付和生命周期等信息

[>>Littelfuse\(美国力特\)](#)