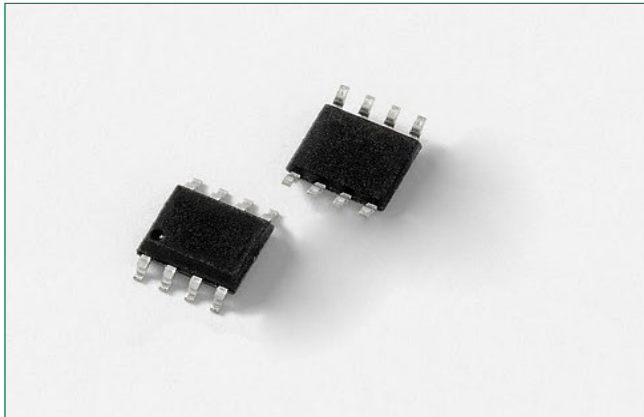
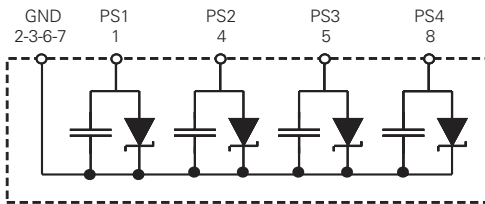


**SP1050 Series for Power-over-Ethernet PSE Protection**



**Functional Block Diagram**



**Absolute Maximum Ratings**

Parameter	Rating	Units
Peak Pulse Current (8/20µs)	24	A
Peak Pulse Power (8/20µs)	2700	W
IEC 61000-4-2, Contact Discharge, (Level 4)	30	kV
IEC 61000-4-2, Air Discharge, (Level 4)	30	kV

*CAUTION: Stresses above those listed in "Absolute Maximum Ratings" may cause permanent damage to the component. This is a stress only rating and operation of the component at these or any other conditions above those indicated in the operational sections of this specification is not implied.*

**Additional Information**



**Datasheet**



**Resources**



**Samples**

**Description**

The SP1050-04BTG provides over-voltage protection for Power-over-Ethernet PSE equipment in a space saving SOIC-8 package. It incorporates four TVS Diodes each with their own decoupling capacitor to stabilize power supplies.

The SP1050 Series is compatible with the older IEEE 803.af and IEEE 802.3at PoE requirements for Mode A or Mode B for both PSE and PD but is not compatible with the new IEEE 802.3bt (4 wire-pair simultaneous powering) PSE/PD Class 5 through Class 8 or other 4 wire-pair simultaneous powering schemes that implement independent sources for each two wire-pair interface.

It will protect two wire-pair interfaces that share a common grounding from lightning induced surges as outlined in IEC 61000-4-5 2ND Edition, EFTs (electrically fast transients) as outlined in IEC 61000-4-5, and ±30 kV ESD air and contact discharges as outlined in IEC 61000-4-2.

The low clamping voltage of 96V(Max) makes it compatible with PSE controller technologies

**Features**

- Peak pulse power: up to 2.7 kW (8/20 µs)
- Lightning, 24A (8/20 as defined in IEC 61000-4-5 2<sup>nd</sup> edition)
- ESD protection of ±30kV contact discharge, ±30kV air discharge, (IEC 61000-4-2)
- Stand-off voltage of 58 V
- Low clamping voltage of 96V (MAX) at 24A
- Low leakage current of 0.1 µA at 25 °C and 1 µA at 85 °C
- Operating Tj max: 150 °C
- JEDEC registered package outline
- Embeds four decoupling capacitors
- Meets the most stringent environmental conditions
- RoHS compliant and lead-free
- Moisture Sensitivity Level(MSL -1)
- AEC-Q101 qualified

**Applications**

- PoE (Power over Ethernet)

Life Support Note:

**Not Intended for Use in Life Support or Life Saving Applications**

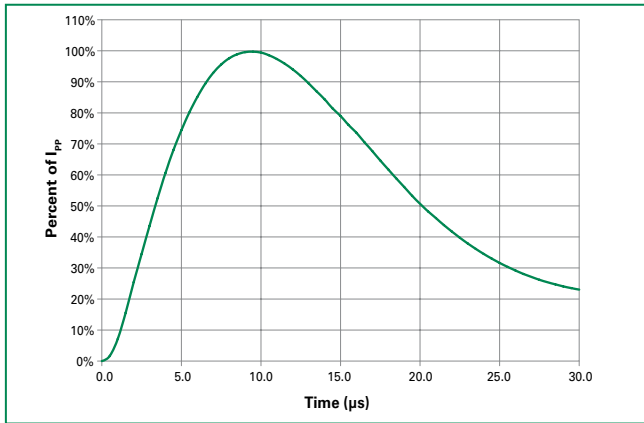
The products shown herein are not designed for use in life sustaining or life saving applications unless otherwise expressly indicated.

**Electrical Characteristics ( $T_{OP} = 25^{\circ}C$ )**

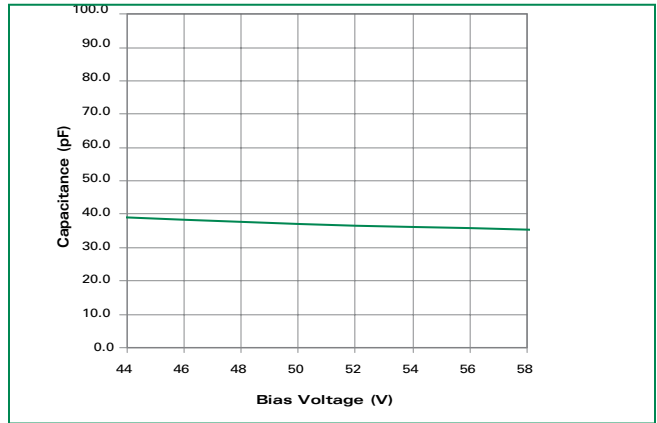
Parameter	Symbol	Test Conditions	Min	Typ	Max	Units
Leakage Current	$I_{RM}$	$25^{\circ}C, V_{PoE} = 58V$	-	-	0.1	$\mu A$
		$85^{\circ}C, V_{PoE} = 58V$ <sup>1</sup>	-	-	1	$\mu A$
Breakdown Voltage	$V_{BR}$	$I_R = 1mA$	64	67	-	V
Clamping Voltage <sup>2</sup>	$V_C$	$I_{PP} = 24A, t_p = 8/20 \mu s$	-	-	96	V
Dynamic Resistance <sup>2</sup>	$R_{DYN}$	TLP, $t_p = 100ns, I/O$ to GND <sup>2</sup>	-	0.35	-	$\Omega$
Capacitance <sup>1</sup>	C	$V_{PoE} = 58V$	-	35	-	pF

Notes: 1 Parameter is guaranteed by design and/or component characterization.  
2. Transmission Line Pulse (TLP) with 100ns width, 2ns rise time, and average window  $t_1 = 70ns$  to  $t_2 = 90ns$

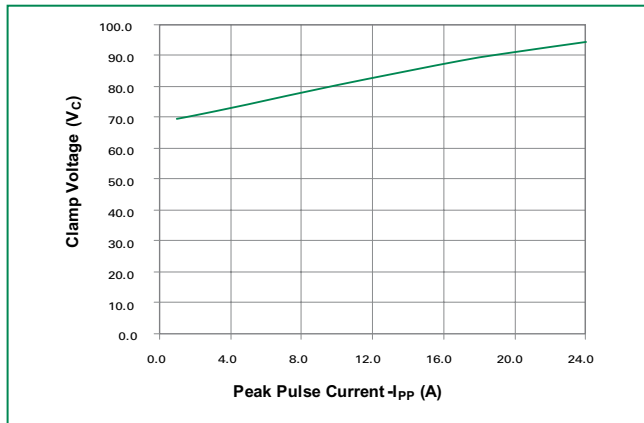
**8/20 $\mu$ S Pulse Waveform**



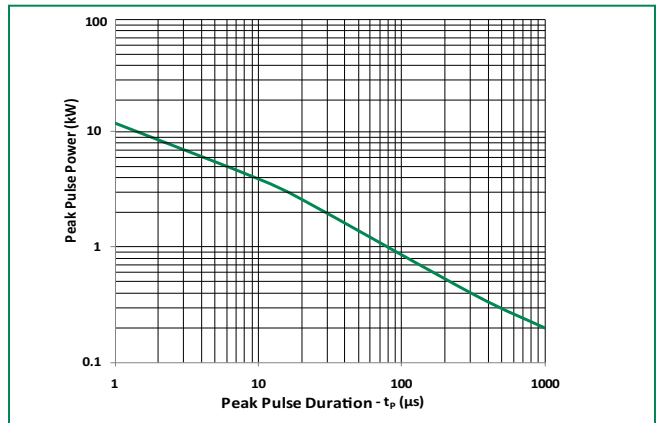
**Capacitance vs. Reverse Bias**



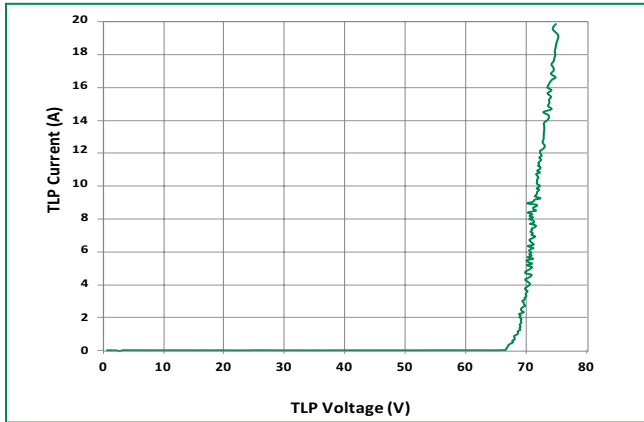
**Clamping Voltage vs  $I_{PP}$**



**Non-Repetitive Peak Pulse Power vs. Pulse Time**

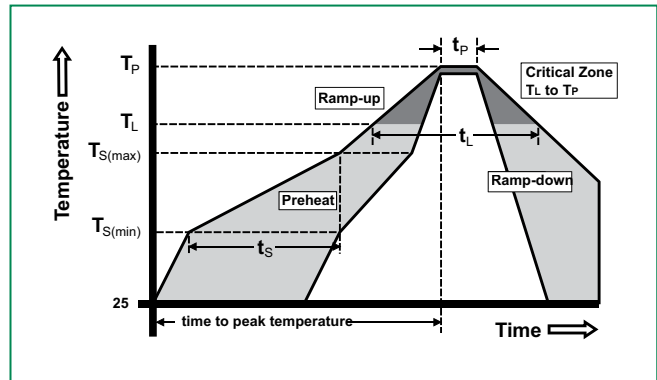


**Transmission Line Pulse (TLP)**



**Soldering Parameters**

<b>Reflow Condition</b>		Pb – Free assembly
<b>Pre Heat</b>	- Temperature Min ( $T_{s(min)}$ )	150°C
	- Temperature Max ( $T_{s(max)}$ )	200°C
	- Time (min to max) ( $t_s$ )	60 – 180 secs
<b>Average ramp up rate (Liquidus) Temp (<math>T_L</math>) to peak</b>		3°C/second max
<b><math>T_{s(max)}</math> to <math>T_L</math> - Ramp-up Rate</b>		3°C/second max
<b>Reflow</b>	- Temperature ( $T_L$ ) (Liquidus)	217°C
	- Temperature ( $t_L$ )	60 – 150 seconds
<b>Peak Temperature (<math>T_p</math>)</b>		260 <sup>+0/-5</sup> °C
<b>Time within 5°C of actual peak Temperature (<math>t_p</math>)</b>		20 – 40 seconds
<b>Ramp-down Rate</b>		6°C/second max
<b>Time 25°C to peak Temperature (<math>T_p</math>)</b>		8 minutes Max.
<b>Do not exceed</b>		260°C



**Product Characteristics**

<b>Lead Plating</b>	Tin
<b>Lead Material</b>	Alloy 42
<b>Lead Coplanarity</b>	0.0004 inches (0.102mm)
<b>Substrate Material</b>	Silicon
<b>Body Material</b>	Molded Compound
<b>Flammability</b>	UL Recognized compound meeting flammability rating V-0

**Application Schematic**

Figure 1: Typical application circuit with fully integrated PSE controller

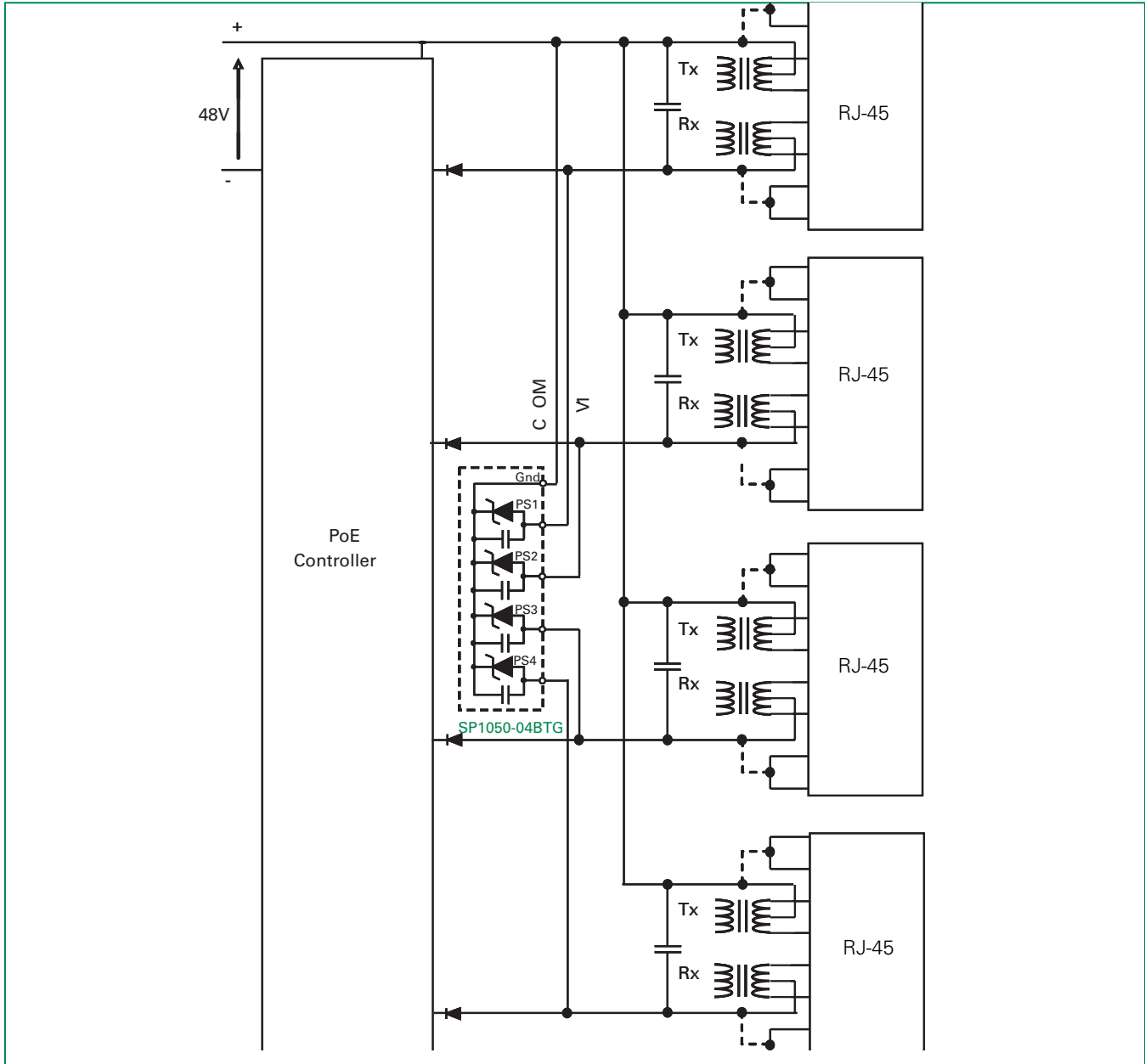
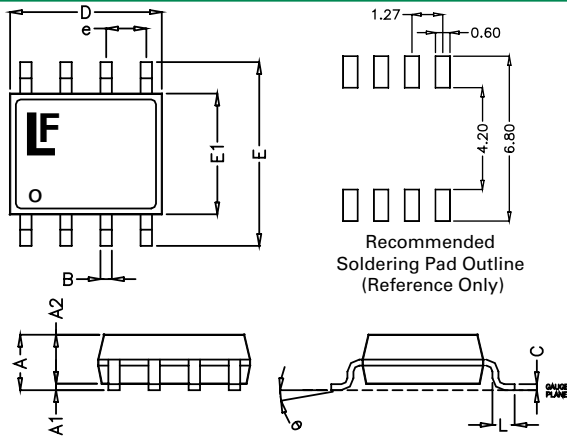


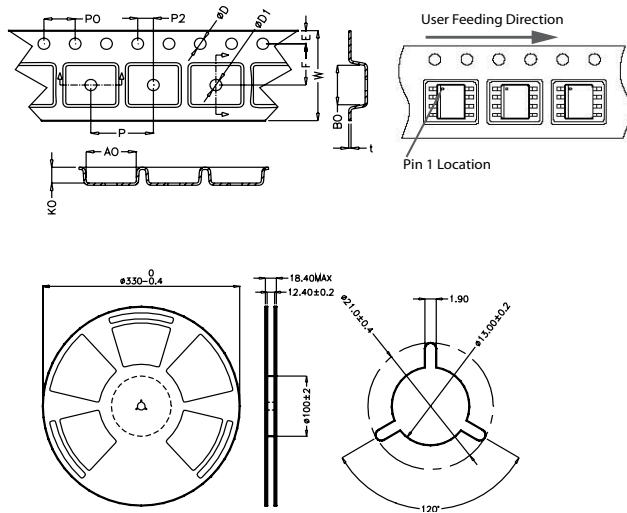
Figure 1 shows typical application of power sourcing equipment (PSE) allowing communication and power sourcing for several powered devices (PD). The SP1050-04BTG is optimized for space savings as there is generally a multiple of 4 present. This protection component complies with IEEE 802.3af and IEEE 802.3at (also known as PoE+). This component should be compatible with level 4/5 surge requirements of IEC 61000-4-5 since it is located on the secondary side of the coupling transformer, but lab testing should be conducted to confirm.

**Package Dimensions of SOIC-8**



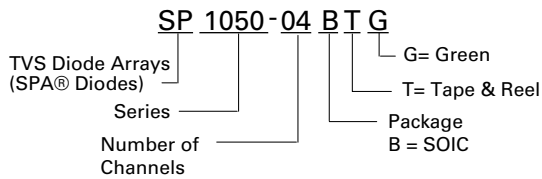
Package	SOIC			
Pins	8			
JEDEC	MS-012			
	Millimetres		Inches	
	Min	Max	Min	Max
<b>A</b>	1.35	1.75	0.053	0.069
<b>A1</b>	0.10	0.25	0.004	0.010
<b>A2</b>	1.25	1.65	0.050	0.065
<b>B</b>	0.31	0.51	0.012	0.020
<b>c</b>	0.17	0.25	0.007	0.010
<b>D</b>	4.80	5.00	0.189	0.197
<b>E</b>	5.80	6.20	0.228	0.244
<b>E1</b>	3.80	4.00	0.150	0.157
<b>e</b>	1.27 BSC		0.050 BSC	
<b>L</b>	0.40	1.27	0.016	0.050

**Embossed Carrier Tape & Reel Specification – SOIC Package**



	Millimetres		Inches	
	Min	Max	Min	Max
<b>E</b>	1.65	1.85	0.065	0.073
<b>F</b>	5.4	5.6	0.213	0.22
<b>P2</b>	1.95	2.05	0.077	0.081
<b>D</b>	1.5	1.6	0.059	0.063
<b>D1</b>	1.50 Min		0.059 Min	
<b>P0</b>	3.9	4.1	0.154	0.161
<b>10P0</b>	40.0 +/- 0.20		1.574 +/- 0.008	
<b>W</b>	11.9	12.1	0.468	0.476
<b>P</b>	7.9	8.1	0.311	0.319
<b>A0</b>	6.3	6.5	0.248	0.256
<b>B0</b>	5.1	5.3	0.2	0.209
<b>K0</b>	2	2.2	0.079	0.087
<b>t</b>	0.30 +/- 0.05		0.012 +/- 0.002	

**Part Numbering System**



**Ordering Information**

Part Number	Package	Min. Order Qty.
SP1050-04BTG	SOIC Tape & Reel	2500

单击下面可查看定价，库存，交付和生命周期等信息

[>>Littelfuse\(美国力特\)](#)