

RS485MS-2W

Communication Module



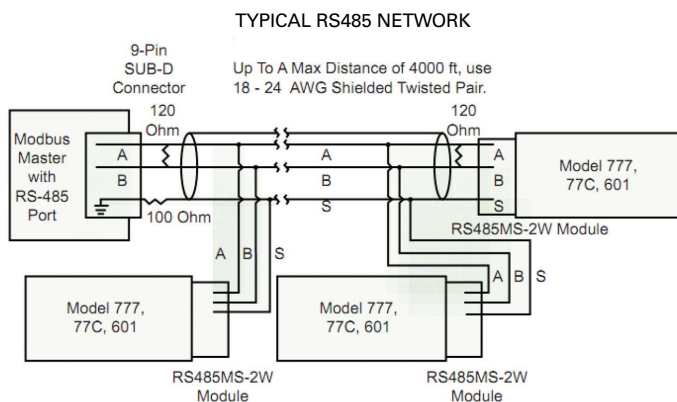
Description

The RS485MS-2W is required to enable the Modbus communications function on Model 77x-type products. This module is required when the RM1000, RM2000 or other Modbus capable device is used with 77x-type products.

Features

- Optical isolation from line potentials
- Powered by the 77x product
- RS-485 compliant bus drive capability
- Remote reset input connection
- Power connection for the Model RM1000

Wiring Diagram



Accessories



RS485-RS232 Converter with cable & plug

Allows RS485 devices to be connected to a PC via the RS232 (serial) port. Provides convenient terminal blocks for making signal and DC power supply connections. Pre-wired.



RS485-USB Converter with cable & plug/RS232:USB

Allows RS485 devices to be connected to a PC via the USB port. Provides convenient terminal blocks for making signal and DC power supply connections. Pre-wired.

Refer to the manual for basic and extended network diagrams.

Specifications

Functional Specifications

Remote Reset (for optional use with 777 Series) Normally open pushbutton rated 24VDC, 10mA (min.)

General Characteristics

Ambient Operating Temperature -20° to 50°C (-4° to 122°F)

Terminal (depluggable terminal block)

Torque 3 in.-lbs. (max.)

Wire AWG 12-20 AWG

Class of Protection IP20

Relative Humidity 10-95%, non-condensing per IEC 68-2-3

Standards Passed

Electrostatic Discharge (ESD) IEC 61000-4-2, Level 3, 6kV contact, 8kV air

Radio Frequency Immunity, Radiated 150 MHz, 10V/m

Fast Transient Burst IEC 61000-4-4, Level 3, 4kV input power

Hi-Potential Test Meets UL508 (2 x rated V + 1000V for 1 min)

Surge

Input Power IEC 61000-4-5, Level 1

Inputs/Data Lines IEC 61000-4-5, Level 2

Safety Marks

UL UL508 (File #E68520)

CE IEC 60947

Enclosure Polycarbonate

Dimensions **H** 52.83 mm (2.08"); **W** 73.66 mm (2.9");

D 19.56 mm (.77")

Weight 0.26 lb. (4.16oz., 117.93 g)

Mounting Method 9-pin D-Sub connector on the side of a 777-Series

单击下面可查看定价，库存，交付和生命周期等信息

[>>Littelfuse\(美国力特\)](#)