



MICRO3[®] Blade Fuses



MICRO3[®] Shunt

MICRO3[™] Blade Fuses Rated 32V

The MICRO3[™] Fuse has 3 terminals and 2 fuse elements with a common center terminal. Its sub-miniature design meets the need for more circuits to be protected while utilizing less space and its ability to cope with high temperatures in adverse environments makes the MICRO3[™] Fuse of recommended choice for protection.

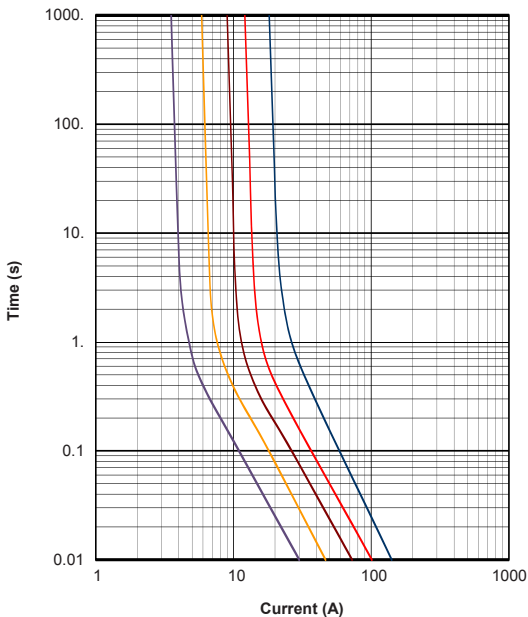
Specifications

Voltage Rating:	32 VDC
Interrupting Ratings:	1000A @ 32 VDC
*Recommended Environmental Temperature:	-40°C to +125°C
Terminals Material:	Silver plated zinc alloy
Housing Material:	PA66 (U.L. 94 Flammability rating – V2)
Net Weight Per Fuse:	0.95±10% gr
Complies with:	SAE 2741 and ISO 8820-3 in reference to electrical, mechanical and environmental performance requirements



*Silver plating allows up to 150°C at the terminal interface.

Time-Current Characteristic Curves



Ordering Information

Part Number	Rating	Package Size
0337xxx.PX2S	3 - 15 & SHUNT	2000
0337xxx.LXS	3 - 15	50

Time-Current Characteristics

% of Rating	Opening Time Min / Max (s)
110	360,000 / ∞
135	0.75 / 120
160	0.3 / 50
200	0.15 / 5
350	0.04 / 0.5
600	0.02 / 0.1

Ratings

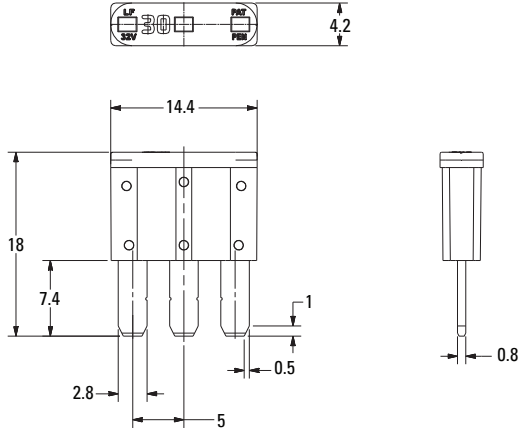
Part Number	Current Rating (A)	Housing Material Color	Test Cable Size (mm ²)		Typ. Voltage Drop (mV)	Typ. Cold Resistance (mΩ)	Typ. I ² t (A ² s)
			Side Fuse Blades	Center Fuse Blades			
0337003_	3		0.5	1	113	31.7	9
0337005_	5		0.5	1	116	17.4	17
033707.5_	7.5		0.75	1.5	106	10.8	47
0337010_	10		1	2.5	102	7.8	89
0337015_	15		1.5	4	94	4.9	189
0337900_	SHUNT		-	-	-	-	-

The typical I²t is an average value calculated from the breaking capacity tests by using the melting time before the arcing occurs.

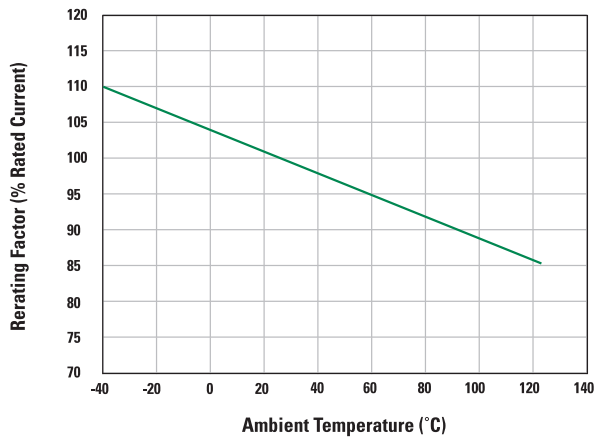
MICRO3™ Blade Fuses Rated 32V

Dimensions

Dimensions in mm for reference only.
See outline drawing for dimensions and tolerances.



Temperature Derating Curve



SHUNT Maximum Continuous Load: 15A

REV11042021

Littelfuse® products are not designed for, and shall not be used for, any purpose (including, without limitation, automotive, military, aerospace, medical, life-saving, life-sustaining or nuclear facility applications, devices intended for surgical implant into the body, or any other application in which the failure or lack of desired operation of the product may result in personal injury, death, or property damage) other than those expressly set forth in applicable Littelfuse® product documentation. Warranties granted by Littelfuse® shall be deemed void for products used for any purpose not expressly set forth in applicable Littelfuse® documentation. Littelfuse® shall not be liable for any claims or damages arising out of products used in applications not expressly intended by Littelfuse® as set forth in applicable Littelfuse® documentation. The sale and use of Littelfuse® products is subject to Littelfuse Terms and Conditions of Sale, unless otherwise agreed by Littelfuse®.

单击下面可查看定价，库存，交付和生命周期等信息

[>>Littelfuse\(美国力特\)](#)