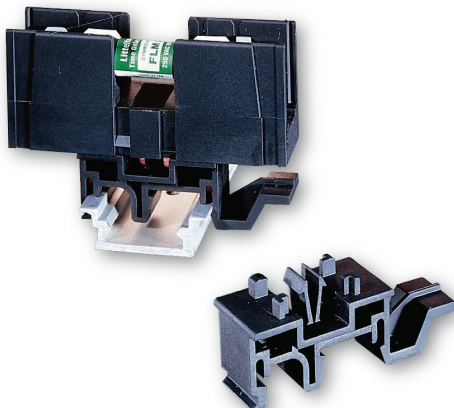
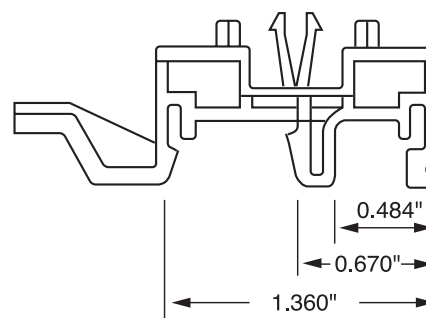
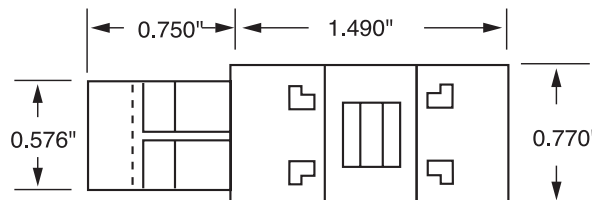


CLASS CC AND MIDGET FUSE BLOCK ACCESSORIES

FBDIN1 Rail Adapter



Dimensions Inches



Features/Benefits

- DIN Rail adaptor for 30 A Midget, Class CC and Class G fuse blocks
- Patented design with no tools necessary for installation
- Permits snap-mounting of 30 A Midget, Class CC and Class G fuse blocks to standard and low profile 35 mm symmetrical DIN rails and 32 mm asymmetrical DIN rails
- Easy removal via disconnect tab

Web Resources

For additional technical information visit:
littelfuse.com/fbdin1



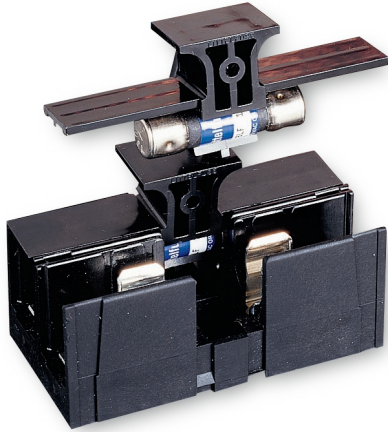
Recommended Fuse Blocks

Midget-Style, Class CC and Class G

*New LF Series fuse holders with built-in DIN rail mount available.

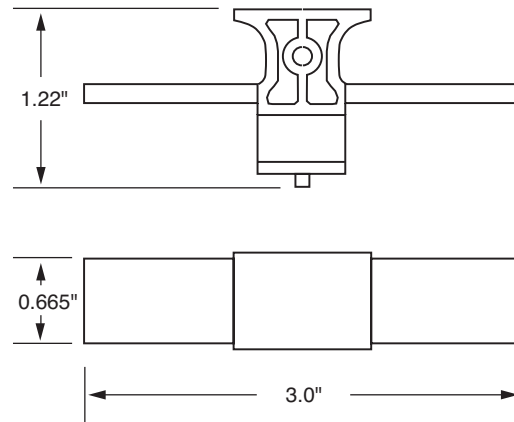
CLASS CC AND MIDGET FUSE BLOCK ACCESSORIES

SPL001 Rail Adapter



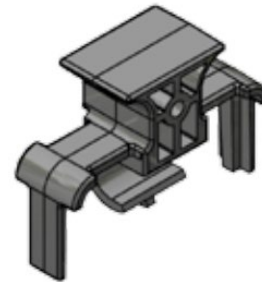
Dimensions

One-Pole



Features/Benefits

- 600 V 1/10-30 A Class CC and Midget fuse cover puller that offers increased protection when removing fuses
- Simple removal without the need for a separate puller
- Meets Dead-Front requirements
- Easily gangable with 1/8" diameter wire
- For use with all 600 V Class CC and Midget 1/10-30 A fuses
- Label provided for easy fuse identification
- Available in 1- or 2-pole configurations



Ordering Information

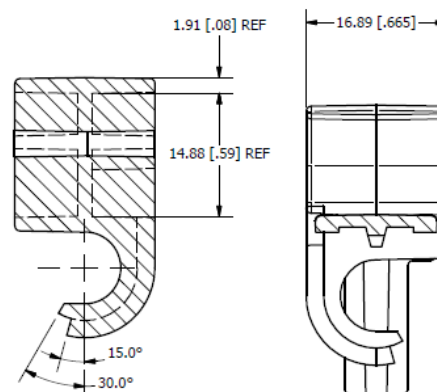
POLES	PACK QUANTITY	CATALOG NUMBER	ORDERING NUMBER
1	10	SPL001	OSPL0001T
1	100	SPL001	OSPL0001H
2	5	DSPL001	DSPL0001Z
2	100	DSPL001	DSPL0001H
1	10	SPL001PCB	SPL0001PCBT

Recommended Fuse Blocks

L60030C and L60030M

Web Resources

For additional technical information visit:
littelfuse.com/spl001



Disclaimer Notice – Information furnished is believed to be accurate and reliable. However, users should independently evaluate the suitability of and test each product selected for their own applications. Littelfuse products are not designed for, and may not be used in, all applications. Read complete Disclaimer Notice at www.littelfuse.com/product-disclaimer.

单击下面可查看定价，库存，交付和生命周期等信息

[>>Littelfuse\(美国力特\)](#)