

# FH2 STACKABLE BLOCK FUSE HOLDER

for TAC® Style Blade Fuse Rated 58V

**RoHS**



## Specifications

Housing: Out of thermoplastic (UL 94-V0, heat-resistant)  
 Connections: Leaf spring connector systems, crimp contacts, copper alloy, tinned  
 Color: Black  
 Cover: Thermoplastic (transparent)

## Ordering Information

Part Number	Package Size
178.4205.0002	1000
178.4215.0002	1000
178.6116.xxx1	200
178.6116.xxx2	1000
178.6125.0001	100
178.6125.0002	1000

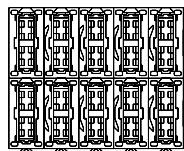
## Description

Blockholder for 42V PowerNet with coding for TAC® fuses-links. Attachable in X- and Y-direction. Rated voltage 58V; crimp terminals.

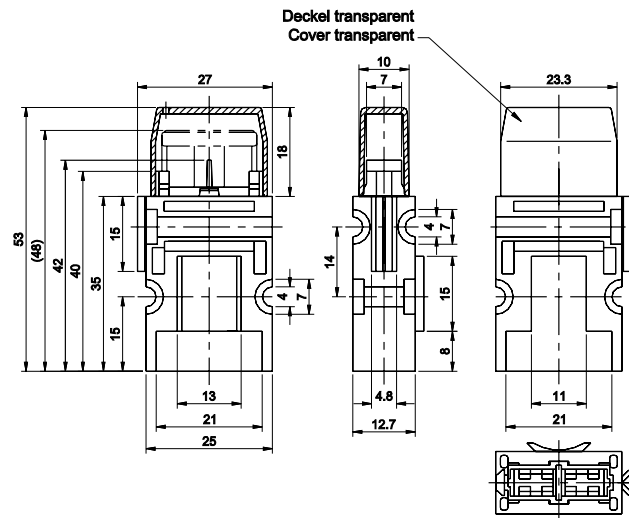
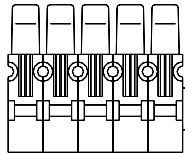
## Dimensions

Dimensions in mm

Chart for row-mounting



10er/pcs. Block



## Ratings

Part Number	Description	Contact Temperature
178.4205.000_	Complete with DFK 1.5 - 2.5 mm <sup>2</sup>	max. 130°C
178.4215.000_	Housing	—
178.6125.000_	Cover	—
178.6116.100_	Complete with DFK 0.5 - 1.0 mm <sup>2</sup>	max. 130°C
178.6116.250_	Contacts 1.5-2.5mm <sup>2</sup>	max. 130°C
178.6116.600_	Contacts 4.0-6.0mm <sup>2</sup>	max. 130°C

## FH2 STACKABLE BLOCK FUSE HOLDER

for ATO® Style Blade Fuse Rated 80V

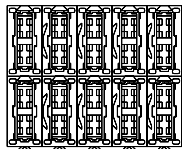
RoHS



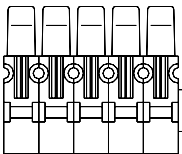
### Description

Blockholder for ATO / FKS size fuses-links. Attachable in X- and Y-direction. Rated voltage 80V; crimp terminals.

Chart for row-mounting



10er/pcs. Block



### Specifications

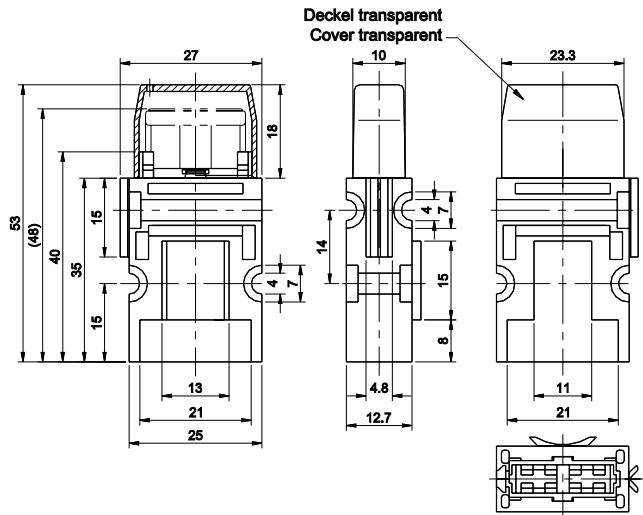
Housing:	Out of thermoplastic (UL 94-V0, heat-resistant)
Connections:	Leaf spring connector systems, crimp contacts, copper alloy, tinned
Color:	Black
Cover:	Thermoplastic (transparent)

### Ordering Information

Part Number	Package Size
178.6105.0001	100
178.6105.0002	1000
178.6115.0001	100
178.6115.0002	1000

### Dimensions

Dimensions in mm



### Ratings

Part Number	Description	Contact Temperature
178.6105.000_	Complete with DFK 1.5 - 2.5 mm <sup>2</sup>	max. 130°C
178.6115.000_	Housing	-
178.6125.000_	Cover	-
178.6116.100_	DFK-Kontakte 0.5-1.0mm <sup>2</sup>	max. 130°C
178.6116.250_	Contacts 1.5-2.5mm <sup>2</sup>	max. 130°C
178.6116.600_	Contacts 4.0-6.0mm <sup>2</sup>	max. 130°C

Corresponding fuse links see Section "Blade Fuses."

单击下面可查看定价，库存，交付和生命周期等信息

[>>Littelfuse\(美国力特\)](#)