

CP5 SERIES

Single-phase current monitor



Description

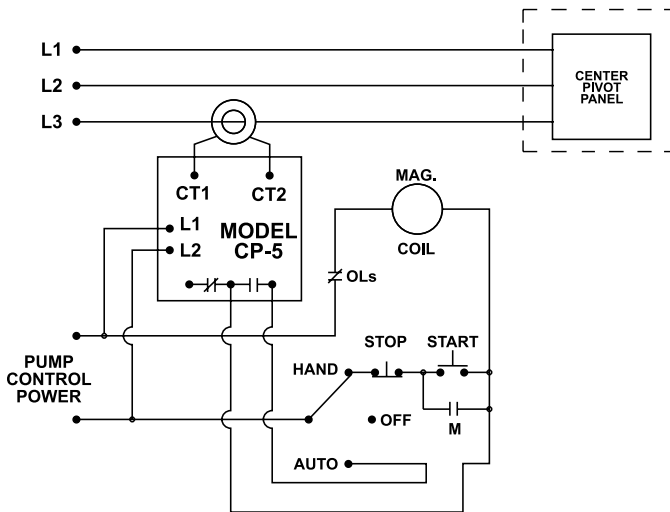
The CP5 Series are undercurrent monitors designed to monitor one leg of a 3-phase system. It is commonly used as a tower monitor on center pivot irrigation systems to detect stalled or jammed towers to prevent over watering.

The CP5 Series has both an adjustable level and an adjustable trip delay timer. When the current is sensed, the CP5 Series activates its output relay, thus starting the motor/pump. When the current in the monitored power line falls below the user-selectable trip point, the unit goes through a trip delay timer and then deactivates the output relay if the monitored current does not recover first.

Features & Benefits

FEATURES	BENEFITS
Adjustable trip level (0-5A)	Provides ability to precisely set the current trip point for any application
Adjustable trip delay (0-10m)	Prevents nuisance tripping due to power line fluctuations
600V rated relay contacts available on CP-5-460 model	Eliminates the need for a control transformer to step voltage down to 120 - 240V for a control circuit

Wiring Diagram



Specifications

Input Characteristics

Nominal Input Voltage	
CP5115	115VAC
CP5460	460VAC
Frequency	50*/60Hz

Functional Characteristics

Operating Points	
Trip Level	0-5 Amps
Trip Delay	0-10 minutes
Restart	1 second

Output Characteristics

Output Contact Rating (SPDT)	
Pilot Duty	
CP5115	480VA @ 240VAC
CP5460	470VA @ 600VAC

General Characteristics

Terminal	
Torque	7 in.-lbs.
Wire Size	12-18AWG
Safety Marks	
UL	UL508 (File #E68520)
Dimensions	H 74.4 mm (2.93"); W 133.9 mm (5.27"); D 74.9 mm (2.95")
Weight	1 lb. (16 oz., 453.59 g)
Mounting Method	#8 screws

*Note: 50Hz will increase all delay timers by 20%

Ordering Information

MODEL	LINE VOLTAGE
CP5115	115VAC
CP5460	460VAC

单击下面可查看定价，库存，交付和生命周期等信息

[>>Littelfuse\(美国力特\)](#)