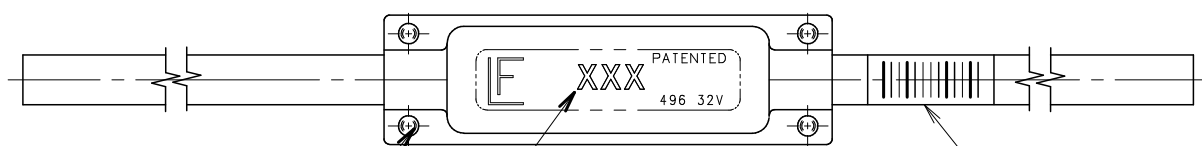
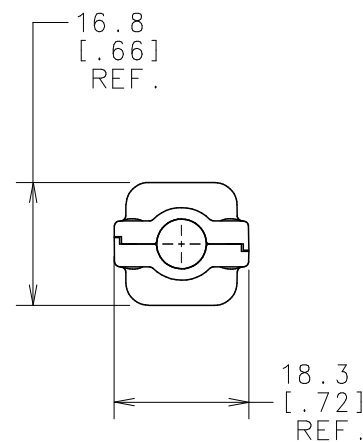
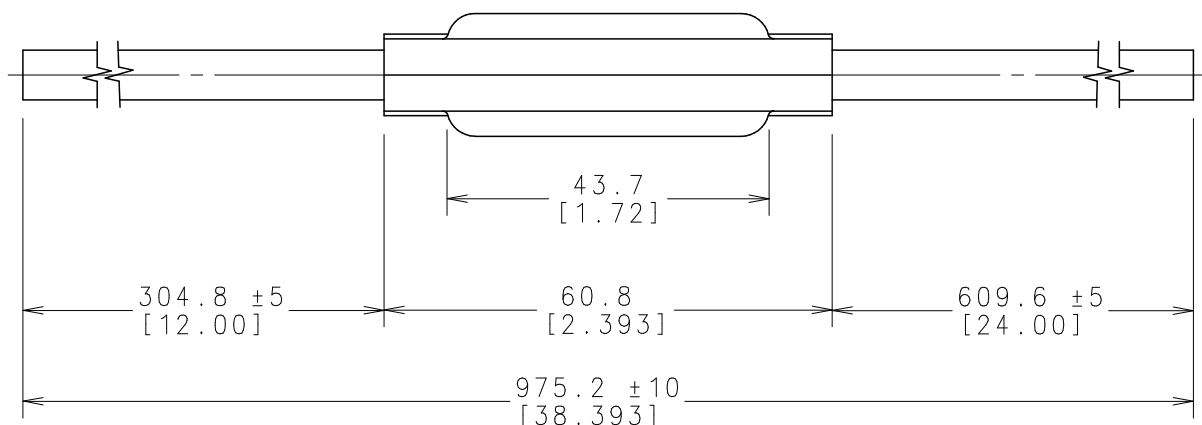


| PART NUMBER | CURRENT RATING (A) | WIRE SIZE                | NOM. COLD RESISTANCE (mΩ)* | TYP. VOLTAGE DROP AT RATED CURRENT (mV)* |
|-------------|--------------------|--------------------------|----------------------------|--|
| 0496060.Z   | 60                 | 5mm <sup>2</sup> (10AWG) | 1.770                      | 132.8                                    |
| 0496080.Z   | 80                 | 8mm <sup>2</sup> (8AWG)  | 1.188                      | 117.0                                    |
| 0496100.Z   | 100                | 8mm <sup>2</sup> (8AWG)  | 0.937                      | 119.9                                    |
| 0496125.Z   | 125                | 13mm <sup>2</sup> (6AWG) | 0.697                      | 104.6                                    |
| 0496150.Z   | 150                | 19mm <sup>2</sup> (4AWG) | 0.555                      | 102.1                                    |
| 0496175.Z   | 175                | 19mm <sup>2</sup> (4AWG) | 0.473                      | 105.4                                    |
| 0496200.Z   | 200                | 19mm <sup>2</sup> (4AWG) | 0.374                      | 97.6                                     |

\*NOMINAL COLD RESISTANCE AND TYPICAL VOLTAGE DROP AT RATED CURRENT DATA WAS MEASURED ON TEST SAMPLES AT THE ENDS OF TWO 80.0mm(3.15") CABLES.



RIVETS (4X)  
WHITE HOT STAMP ONE SIDE (SEE CHART)  
BAR CODE OR DATE CODE (SEE NOTES)

| % OF RATING | OPENING TIME |         |
|-------------|--------------|---------|
|             | MINIMUM      | MAXIMUM |
| 100         | 100 HRS.     | -       |
| 135         | 120 S        | 1800 S  |
| 200         | 10 S         | 300 S   |
| 350         | 1 S          | 15 S    |
| 600         | 0.3 S        | 5 S     |

NOTES:

INTERRUPT RATING: 2000A @ 32VDC  
VOLTAGE RATING: 32VDC  
TEMP. RANGE: -40°C - 125°C

CABLE TYPE: XLPE, SAE J1127, STX (4AWG & 6AWG);  
XLPE, SAE J1128, GXL (8AWG);  
XLPE, SAE J1128, TXL (10AWG)

SPECIFICATION: MEETS LITTELFUSE'S VS-006013 SPECIFICATION

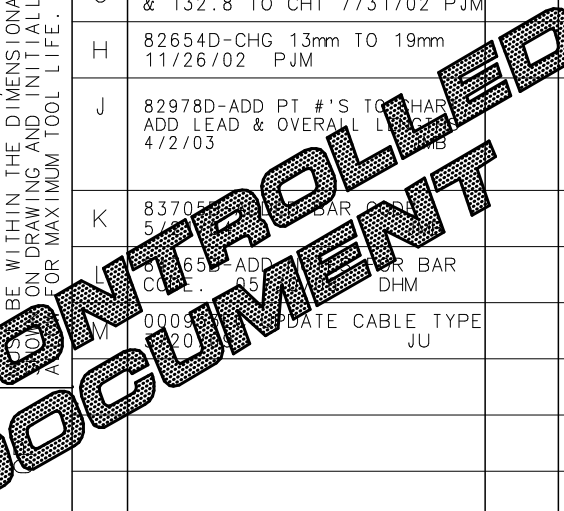
APPLICATION: DESIGNED FOR UNDERHOOD INSTALLMENT.

BAR CODE OR

DATE CODE: THE BAR CODE IT IS LOCATED FOR LOT TRACEABILITY. E LEADS.

| COMPONENT NO                 |   | DESCRIPTION  |   | QTY/M       | U/M       |
|------------------------------|---|--------------|---|-------------|-----------|
| <b>BILL OF MATERIAL</b>      |   |              |   |             |           |
| COPIES TO                    | MATL SPEC   | FINISH       |   |             |           |
| 1 2 3 4 5 6 7 8              | DRW BJJ   | DATE 1/30/01 | SCALE FULL                              |             |           |
| 9 10 11 12 13 14 15 16 17 18 | CHK   | DATE         | SUPER DRW                               |             |           |
|                              | APPD  | DATE         | FINISH GOOD WT                          | GRAMS/PIECE |           |
|                              |   |              | TOLERANCE UNLESS OTHERWISE SPECIFIED    |             |           |
|                              |   |              | TWO PLACE DEC ±.25[.01] FRACTION ±      |             |           |
|                              |   |              | THREE PLACE DEC ±.100[.004] ANGULAR ±1° |             |           |
| 3RD ANGLE PROJECTION         | TITLE   |              | CABLEPRO                                |             |           |
| REVISION                     |   | CHK          | APD                                     | REV         | OUTLINE   |
| A                            | 60478 - RELEASED 1/30/01 BJJ                          |              |   | M           | 0496000.Z |
| B                            | 81147D-ADD T/C GATES, NOTE & 80A-175A 2/15/01 PJM     |              |   |             |           |
| C                            | 81612D-CHG 60.5 TO 60.8 10/09/01 PJM                  |              |   |             |           |
| D                            | 81775D-CORRECT SPELLING OF "LITTELFUSE" 12/13/01 PJM  |              |   |             |           |
| E                            | 60790 - RELEASED 60A 02/25/02 PJM                     |              |   |             |           |
| F                            | 82217D-CHG 19mm(4AWG) TO 13mm(6AWG) 6/6/02 PJM        |              |   |             |           |
| G                            | 82373B-CHG TOL. ADD 1.770 & 132.8 TO CHT 7/31/02 PJM  |              |   |             |           |
| H                            | 82654D-CHG 13mm TO 19mm 11/26/02 PJM                  |              |   |             |           |
| J                            | 82978D-ADD PT #'S TO CHAR ADD LEAD & OVERALL L 4/2/03 |              |   |             |           |
| K                            | 83705 - ADD BAR CODE 5/20/05                          |              |   |             |           |
| L                            | 83865 - ADD BAR CODE 8/25/05                          |              |   |             |           |
| M                            | 0009 - ADD DATE CABLE TYPE 2/20/06                    |              |   |             |           |

UNLESS OTHERWISE SPECIFIED, DIMENSIONS ARE IN MILLIMETERS. DIMENSIONS IN BRACKETS [ ] ARE INCHES.  
UNLESS OTHERWISE SPECIFIED, DIMENSIONS DO NOT INCLUDE PLATING.  
DENOTES CRITICAL CHARACTERISTICS.  
DENOTES CPK DIMENSIONS, -MINIMUM CPK VALUE  
DENOTES A CHARACTERISTIC THAT PROVIDES AN INDICATION OF PROCESS PERFORMANCE PROCEDURE FOR MEASUREMENT AND TRACKING TO BE DEFINED IN LITTELFUSE INSPECTION INSTRUCTIONS.  
MINUTES CP DIMENSIONS, -MINIMUM CP VALUE  
DIMENSIONS WITHIN THE DIMENSIONAL LIMITATIONS SHOWN ON DRAWING AND INITIALLY LOCATED TO A DIMENSION FOR MAXIMUM TOOL LIFE.



单击下面可查看定价，库存，交付和生命周期等信息

[>>Littelfuse\(美国力特\)](#)