

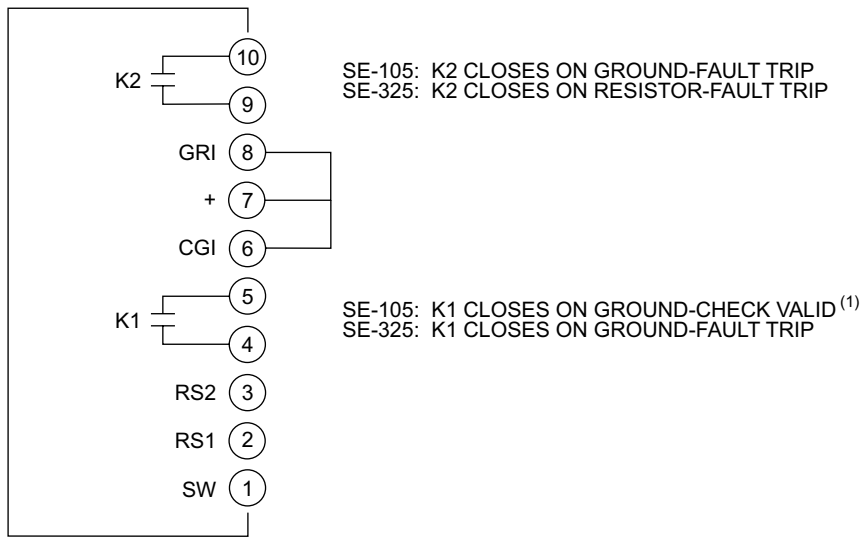
Manuals and additional information available at [www.startco.ca](http://www.startco.ca)

## RK-13 RELAY INTERFACE MODULE

The RK-13 is a relay-interface module for SE-105 and SE-325 remote indication. It provides separate ground-fault and ground-check indication contacts for the SE-105, and separate ground-fault and resistor-fault indication contacts for the SE-325. An isolated input accepts a reset voltage of 24 to 120 Vac/Vdc. The RK-13 mounts directly on the SE-105/SE-325 lower terminal block, and it is compatible with remote indication and reset assemblies (RK-105, RK-105I, RK-325, and RK-325I) and kits (RK-102 and RK-302).

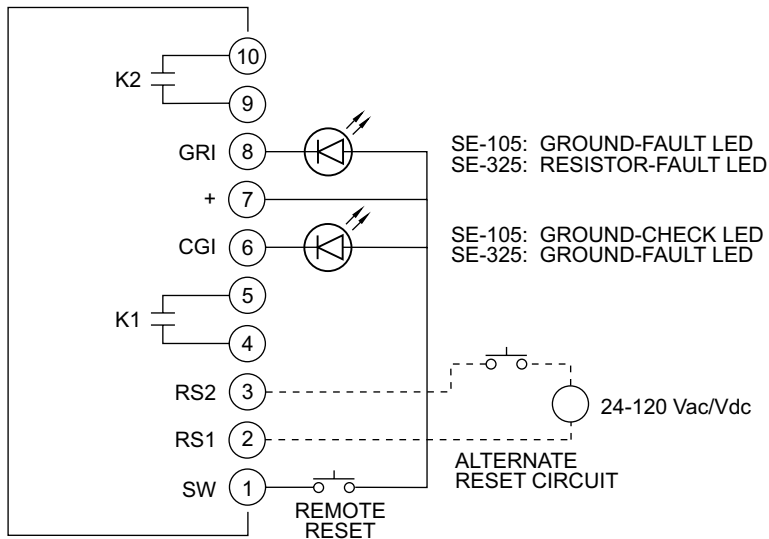
## RK-13 CONNECTION DIAGRAMS

a) RK-13 connection without remote indication or reset.



<sup>(1)</sup> Use K1 for Ground-Check-Valid indication only. Do not use in a trip circuit.

b) RK-13 connection with remote indication and reset.



Contact Rating:  
0.08 A 120 Vac/dc  
0.50 A 24 Vdc

Specifications are subject to change without notice. Startco Engineering Ltd. is not liable for contingent or consequential damages, or for expenses sustained as a result of incorrect application, incorrect adjustment, or a malfunction.

Copyright © 2007.  
Printed in Canada.  
Publication: RK-13-D  
Revised: 0706 Printed: 0706



**STARTCO**  
ENGINEERING LTD.

406 Jessop Avenue, Saskatoon, Saskatchewan, Canada S7N 2S5  
Phone: (306) 373-5505 Fax: (306) 374-2245 www.startco.ca

单击下面可查看定价，库存，交付和生命周期等信息

[>>Littelfuse\(美国力特\)](#)