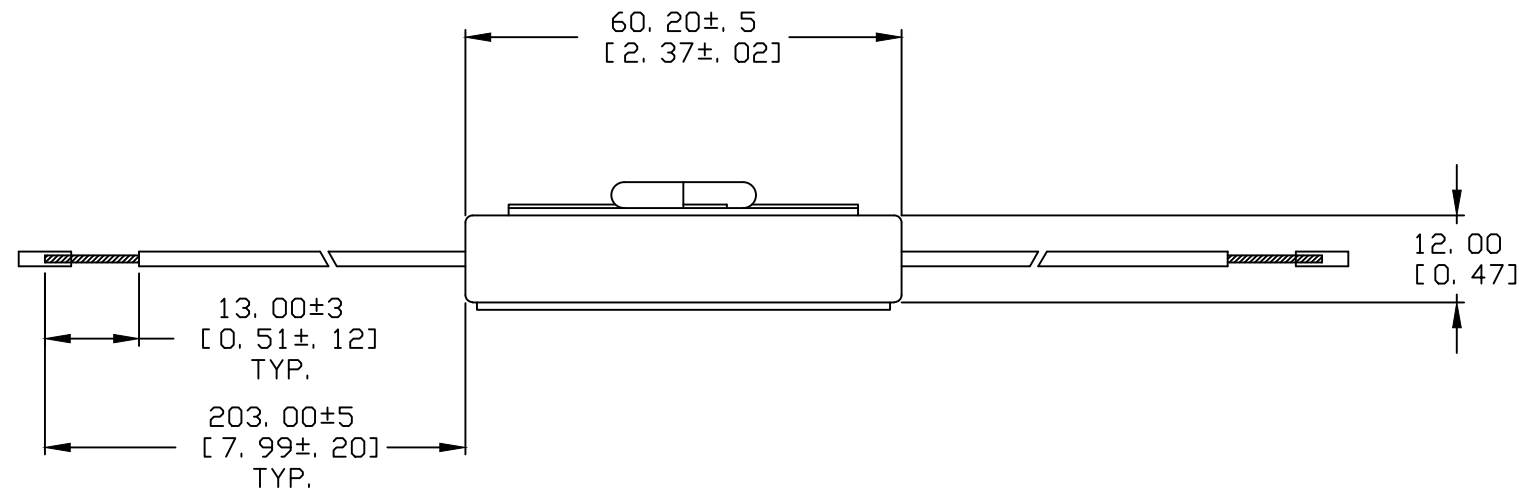


PART NUMBER	DESCRIPTION	UPC CODE	STRIPPED WIRES
01500322.HXA	3AG INLINE FUSEHOLDER WITH RED LEADS	079458 13153	YES
01500322.HXU	3AG INLINE FUSEHOLDER WITH RED LEADS	079458 79725	NO



**NOTES:**

1. WIRE IS AWG18, RATED @150°C, COLOR: RED
2. INTERNAL TERMINALS ARE BRASS, Sn PLATED

**PACKAGING NOTES:**

SUPPLIER TO PACKAGE 50 PCS PER BAG. AND LABEL WITH A LABEL PRINTED WITH:  
 \*LITTELFUSE PART NUMBER  
 \*DESCRIPTION  
 \*QUANTITY  
 \*DATE CODE  
 \*COUNTRY OF ORIGIN  
 \*UPC CODE

COMPONENT NO		DESCRIPTION		QTY/M	U/M	
<b>BILL OF MATERIAL</b>						
MATERIAL SPEC			FINISH			
DRW	LDL	DATE	02/16/07	SCALE	FULL	
CHK		DATE		SUPER DRW		
APPD		DATE		FINISH GOOD WT	GRAMS/PIECE	
TOLERANCE UNLESS OTHERWISE SPECIFIED						
TWO PLACE DEC ±.25(.01) FRACTION ±						
THREE PLACE DEC ±.100(.004) ANGULAR ±1°						
<b>TITLE</b>						
3AG INLINE FUSEHOLDER WITH RED LEADS						
COPIES TO			3RD ANGLE PROJECTION			
1	9	18				
2	10	19				
3	12	20				
4	13	21				
5	14	23				
6	15	33				
7	16	43				
8	17	53				
LTR			<b>REVISION</b>		CHK	APD
A	63003-RELEASE 2/16/07 LDL					
B	506100ERE - RELEASED 09/19/12 WGC				H.	H.
C	506780ECE/C-MOD. DWG, NOTES & P/N. 12/11/12 MLB				H.	H.
D	508033ECE/D-UPDATE HOLDER & STIP'D WIRE. 04/24/13 WGC				H.	H.



<b>REVISION</b>	<b>DRWG. NO.</b>	<b>FINAL</b>
D	01500322.HXA	THRU
	01500322.HXU	

UNLESS OTHERWISE SPECIFIED, DIMENSIONS ARE IN MILLIMETERS. DIMENSIONS IN BRACKETS [ ] ARE INCHES

UNLESS OTHERWISE SPECIFIED, DIMENSIONS DO NOT INCLUDE PLATING.

● DENOTES CRITICAL CHARACTERISTICS.

CPK DENOTES CPK DIMENSIONS, -MINIMUM CPK VALUE

(ST) DENOTES A CHARACTERISTIC THAT PROVIDES AN INDICATION OF PROCESS PERFORMANCE. PROCEDURE FOR MEASUREMENT AND TRACKING TO BE DEFINED IN LITTELFUSE INSPECTION INSTRUCTIONS.

CP DENOTES CP DIMENSIONS, -MINIMUM CP VALUE MUST BE WITHIN THE DIMENSIONAL LIMITATIONS SHOWN ON DRAWING AND INITIALLY LOCATED TO ALLOW FOR MAXIMUM TOOL LIFE.

单击下面可查看定价，库存，交付和生命周期等信息

[>>Littelfuse\(美国力特\)](#)