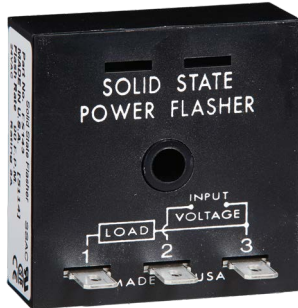
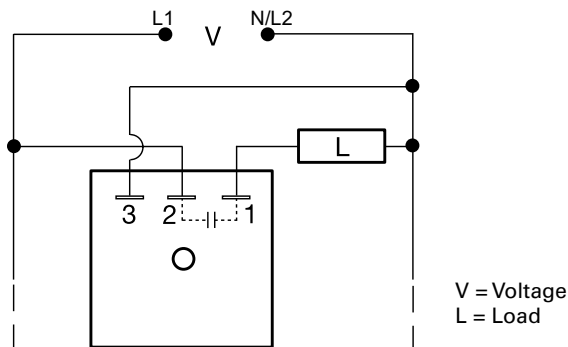


# FS100 SERIES

## Medium Power Flasher



### Wiring Diagram



### Description

The FS100 Series (medium power) may be used to control inductive, incandescent, or resistive loads. Input voltages of 24, 120, or 230VAC are available. Fixed flash rates in stock range from 30, 50, 60, and 90 FPM, with custom flash rates ranging from 10 to 300 FPM. Encapsulation provides protection against shock, vibration, and humidity. This group of solid-state flashers has proven reliability with years of use throughout the world.

### Operation

Upon application of input voltage, the T2 OFF time begins. At the end of the OFF time, the T1 ON time begins and the load energizes. At the end of T1, T2 begins and the load de-energizes. This cycle repeats until input voltage is removed.

**Reset:** Removing input voltage resets the output and the sequence to T2.

### Features & Benefits

| FEATURES                                    | BENEFITS   |
|---|--|
| <b>3A steady, 30A inrush current</b>        | Provides direct control of inductive, incandescent, or resistive loads   |
| <b>Totally solid state and encapsulated</b> | No moving parts to arc and wear out over time and encapsulated to protect against shock, vibration, and humidity |

### Accessories



#### P1023-6 Mounting bracket

The 90° orientation of mounting slots makes installation/removal of modules quick and easy.



#### P1015-64 (AWG 14/16) Female Quick Connect

These 0.25 in. (6.35 mm) female terminals are constructed with an insulator barrel to provide strain relief.



#### P1015-18 Quick Connect to Screw Adapter

Screw adapter terminal designed for use with all modules with 0.25 in. (6.35 mm) male quick connect terminals.



#### C103PM (AL) DIN Rail

35 mm aluminum DIN rail available in a 36 in. (91.4 cm) length.



#### P1023-20 DIN Rail Adapter

Allows module to be mounted on a 35 mm DIN type rail with two #10 screws.

### Ordering Information

| MODEL    | INPUT  | FLASH RATE |
|----------|--------|------------|
| FS143    | 24VAC  | 90 FPM     |
| FS152    | 120VAC | 90 FPM     |
| FS152-30 | 120VAC | 30 FPM     |
| FS152-60 | 120VAC | 60 FPM     |
| FS162    | 230VAC | 90 FPM     |
| FS162-30 | 230VAC | 30 FPM     |

If you don't find the part you need, call us for a custom product 800-843-8848

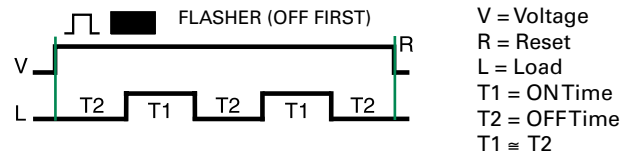
# FS100 SERIES

## Specifications

### Technical Data

|                                      |   |
|--------------------------------------|---|
| <b>Operation</b>                     | OFF/ON solid-state flasher (continuous duty)                              |
| <b>Flash Rate</b>                    | Fixed at 90 FPM $\pm 10\%$  |
| <b>Custom Flash Rates</b>            | 10 - 300 FPM $\pm 10\%$   |
| <b>ON/OFF Ratio</b>                  | $\approx 50\%$  |
| <b>Input</b>                         |   |
| <b>Voltage/Frequency</b>             | 24, 120, or 230VAC $\pm 15\%$ / 50/60 Hz                                  |
| <b>Output</b>                        |   |
| <b>Load Type</b>                     | Inductive, resistive, or incandescent                                     |
| <b>Output</b>                        | Fullwave AC, solid state, SPST  |
| <b>Maximum Load Rating</b>           | 3A steady state   |
| <b>Inrush</b>                        | 10 times steady state current   |
| <b>Mechanical</b>                    |   |
| <b>Mounting</b>                      | Surface mount with one #10 (M5 x 0.8) screw                               |
| <b>Dimensions</b>                    | <b>H</b> 50.8 mm (2"); <b>W</b> 50.8 mm (2");<br><b>D</b> 30.7 mm (1.21") |
| <b>Termination</b>                   | 0.25 in. (6 .35 mm) male quick connect terminals                          |
| <b>Protection</b>                    |   |
| <b>Circuitry</b>                     | Encapsulated  |
| <b>Environmental</b>                 |   |
| <b>Operating/Storage Temperature</b> | -20° to 60°C / -40° to 85°C   |
| <b>Weight</b>                        | $\approx 2.2$ oz (62 g)   |

## Flasher Function Diagram



单击下面可查看定价，库存，交付和生命周期等信息

[>>Littelfuse\(美国力特\)](#)