

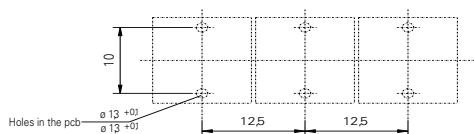
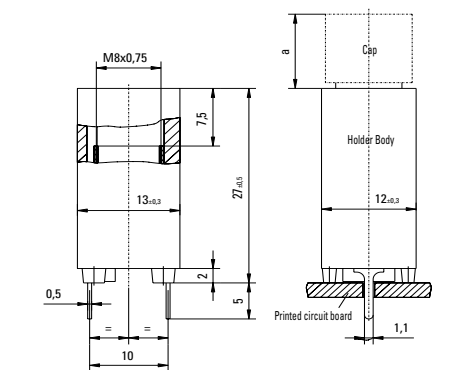
598 Series Circuit Board Mount Enclosed Fuse Holders for 5x20mm and 5x25mm Fuses



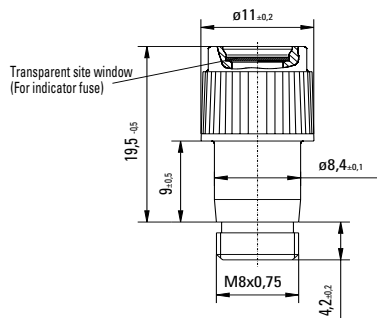
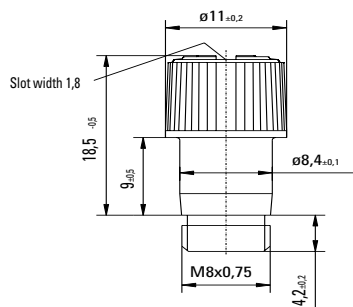
Not for new designs; please refer to holder no. 831/834



Dimensions



Circuit Board Hole Placement Dimensions



Product Characteristics

Compatible Fuse Types	5x20mm 5x25mm
Materials	Holder: Duroplastic (Phenoplast PF), black
	Cap: Thermoplastic (Polyamide PA 6.6), UL 94 V-0, black
	Metal Parts: Copper alloy, corrosion protected
	Terminals: solderable tinned
Electrical Data (23°C)	Rated Voltage: 250V Max. Current/Power: 6.3V / 2.5 W
Mounting	(2) Solder pins 0.5x1.1mm
Protection Class & Category	IP 40 (IEC 60529)
Operating Temperature	-25 °C to 70 °C (consider de-rating)
Stock Conditions	10 °C to 60 °C
Contact Resistance	≤ 5mΩ
Dielectric Strength	3 kV, 50Hz, 1 min., dry
Insulation Resistance	> 10 ⁹ MΩ (500 V DC, 1 min.)
Solderability	235 °C, 3 sec. (Wave) 350 °C, 1 sec. (Soldering Iron)
Soldering Heat Resistance	260 °C, 5 sec.
Minimum Cross Section	Conducting path - 0.2mm ²
Marking	598, 250 V
Unit Weight	4,9 g (598) / 3,6 g (585) / 3,4 g (586)

Note: 1.00 means the number one with two decimal places. 1.000 means the number one thousand.

Ordering Information

Description	Ordering Number	Packaging
Cap, 5x20 mm	585 0000 000	Bulk 100
Cap, 2x25 mm	586 0000 000	Bulk 100
598 Series Holder	598 0000 000	Bulk 100

Additional Information



Datasheet



Resources



Samples

单击下面可查看定价，库存，交付和生命周期等信息

[>>Littelfuse\(美国力特\)](#)