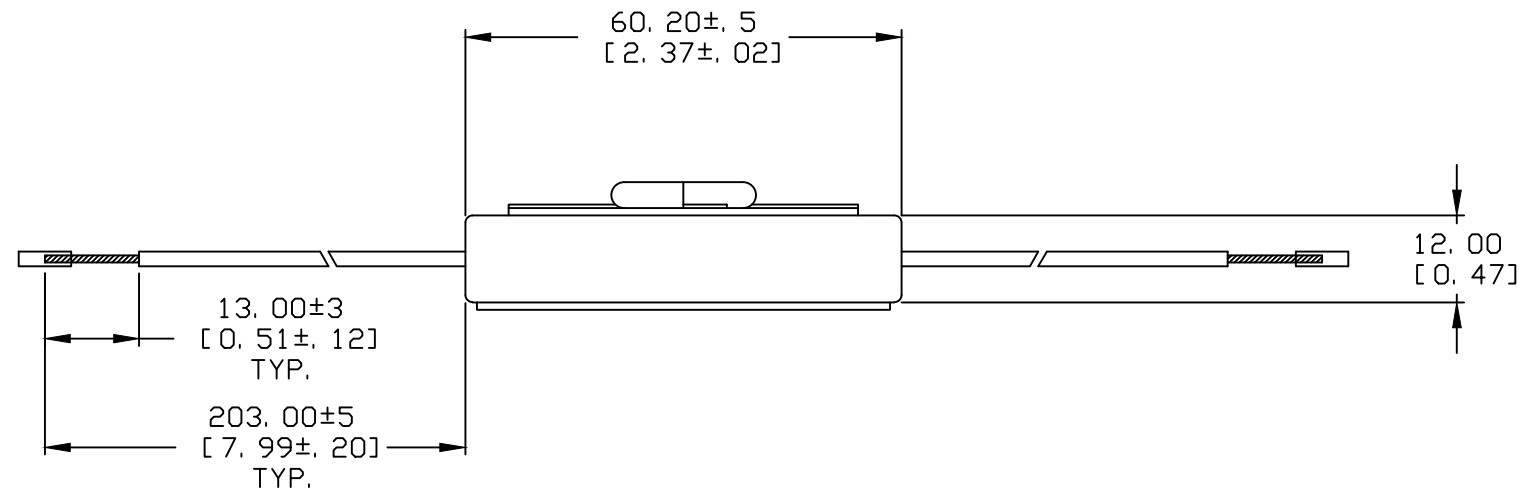


PART NUMBER	DESCRIPTION	UPC CODE	STRIPPED WIRES
01500322.HXA	3AG INLINE FUSEHOLDER WITH RED LEADS	079458 13153	YES
01500322.HXU	3AG INLINE FUSEHOLDER WITH RED LEADS	079458 79725	NO



NOTES:

1. WIRE IS AWG18, RATED @150°C, COLOR: RED
2. INTERNAL TERMINALS ARE BRASS, Sn PLATED

PACKAGING NOTES:

SUPPLIER TO PACKAGE 50 PCS PER BAG. AND LABEL WITH A LABEL PRINTED WITH:
 *LITTELFUSE PART NUMBER
 *DESCRIPTION
 *QUANTITY
 *DATE CODE
 *COUNTRY OF ORIGIN
 *UPC CODE

UNLESS OTHERWISE SPECIFIED, DIMENSIONS ARE IN MILLIMETERS. DIMENSIONS IN BRACKETS [] ARE INCHES
 UNLESS OTHERWISE SPECIFIED, DIMENSIONS DO NOT INCLUDE PLATING.
 ● DENOTES CRITICAL CHARACTERISTICS.
 CPK DENOTES CPK DIMENSIONS, -MINIMUM CPK VALUE
 (ST) DENOTES A CHARACTERISTIC THAT PROVIDES AN INDICATION OF PROCESS PERFORMANCE. PROCEDURE FOR MEASUREMENT AND TRACKING TO BE DEFINED IN LITTELFUSE INSPECTION INSTRUCTIONS.
 CP DENOTES CP DIMENSIONS, -MINIMUM CP VALUE MUST BE WITHIN THE DIMENSIONAL LIMITATIONS SHOWN ON DRAWING AND INITIALLY LOCATED TO ALLOW FOR MAXIMUM TOOL LIFE.

NO	COMPONENT NO	DESCRIPTION	QTY/M	U/M	BILL OF MATERIAL							
					MATL SPEC	FINISH						
					COPIES TO	DRW	LDL	DATE	02/16/07	SCALE	FULL	
1	9	18			1	DRW	LDL	DATE	02/16/07	SCALE	FULL	
2	10	19			2	CHK		DATE		SUPER DRW		
3	12	20			3	APPD		DATE		FINISH GOOD WT	GRAMS/PIECE	
4	13	21			4							
5	14	23			5							
6	15	33			6							
7	16	43			7							
8	17	53			8							
					3RD ANGLE PROJECTION	TOLERANCE UNLESS OTHERWISE SPECIFIED TWO PLACE DEC ±.25(.01) FRACTION ± THREE PLACE DEC ±.100(.004) ANGULAR ±1°						
					TITLE	3AG INLINE FUSEHOLDER WITH RED LEADS						
					LITTELFUSE		DES PLAINES, ILLINOIS 60016		REVISION		DRAWG. NO.	
					DES PLAINES, ILLINOIS 60016		D		01500322.HXA		FINAL	
					DES PLAINES, ILLINOIS 60016		D		01500322.HXU		THRU	
LTR	REVISION			CHK	APD							
A	63003-RELEASE 2/16/07 LDL											
B	506100ERE - RELEASED 09/19/12 WGC			H.	H.							
C	506780ECE/C-MOD. DWG, NOTES & P/N. 12/11/12 MLB			H.	H.							
D	508033ECE/D-UPDATE HOLDER & STIP'D WIRE. 04/24/13 WGC			H.	H.							

单击下面可查看定价，库存，交付和生命周期等信息

[>>Littelfuse\(美国力特\)](#)