

# EFCT SERIES

## Current Sensor



### Description

The EFCT series is a sensitive nickel-core current transformer used with Littelfuse relays to detect low levels of earth-leakage current.

### Accessories



#### EFCT-1FC Flux Conditioner

used with the EFCT-1 to reduce saturation and prevent false operation due to large surge currents.

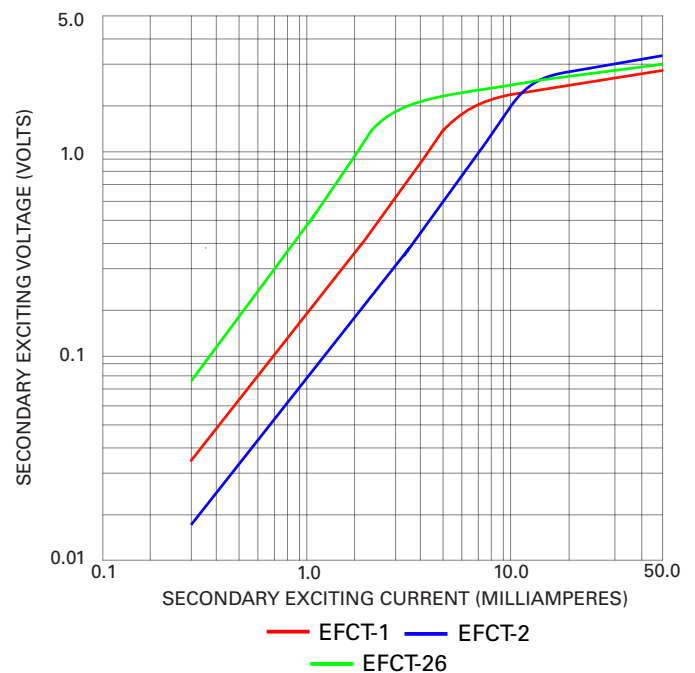
### Ordering Information

| ORDERING NUMBER | WINDOW SIZE, ID | WEIGHT        |
|-----------------|-----------------|---------------|
| EFCT-26         | 26 mm (1.0")    | 0.4 kg (1 lb) |
| EFCT-1          | 82 mm (3.2")    | 0.9 kg (2 lb) |
| EFCT-2          | 139 mm (5.5")   | 2.7 kg (6 lb) |

### Specifications

|                              |   |
|------------------------------|---|
| <b>Turns Ratio</b>           | 100:1   |
| <b>Current Rating</b>        | 5:0.05 A  |
| <b>Accuracy</b>              | 3% @ 0.01 VA  |
| <b>Frequency</b>             | 50 to 400 Hz <sup>1</sup><br>0 to 6 kHz for EL731       |
| <b>Insulation Level</b>      | 600 V   |
| <b>Operating Temperature</b> | -55 to 60°C (-67 to 140°F)                              |
| <b>Application</b>           | EL731, FPU-32, FPS, MPU-32, MPS, SE-330, SE-701, SE-703 |
| <b>Certification</b>         | CSA, UL, CE   |
| <b>Compliance</b>            | RoHS, IEC 60044-1                                       |

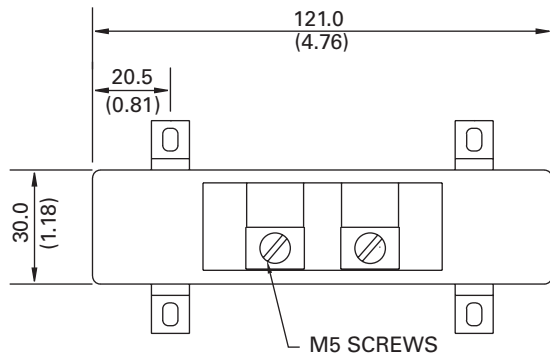
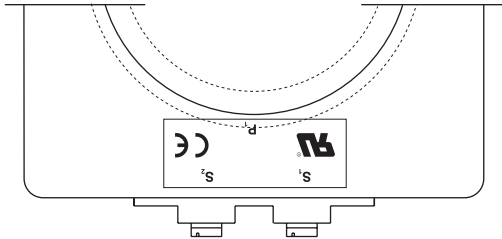
*Note: 1 Frequency response may be extended for specific product families.*



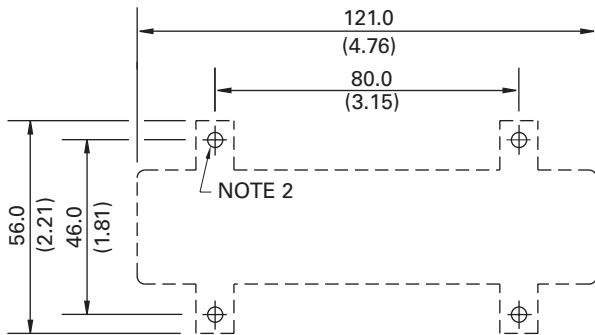
# EFCT SERIES

## Dimensions and Mounting Diagram

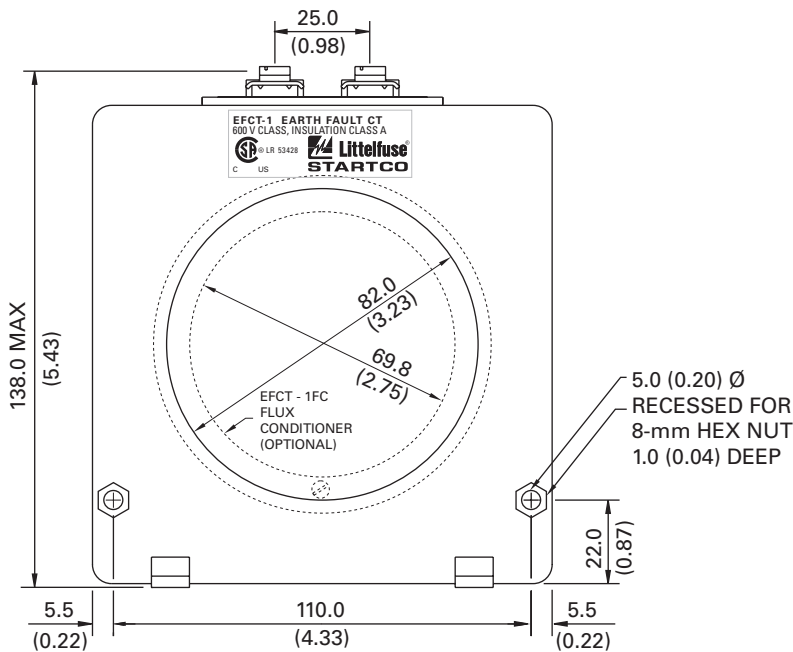
### EFCT-1



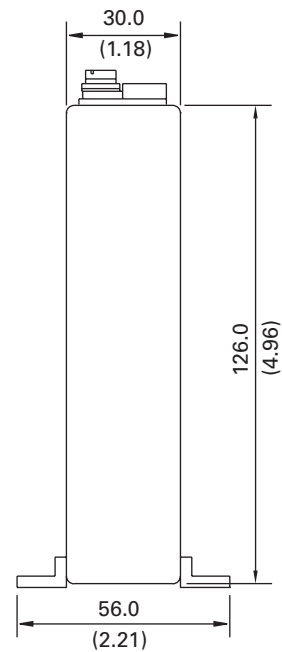
TOP



MOUNTING DETAIL



FRONT



SIDE

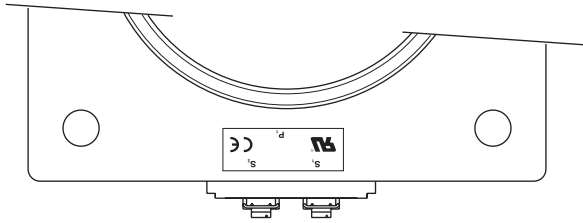
NOTES:

1. DIMENSIONS IN MILLIMETRES (INCHES).
2. MOUNTING SCREWS: M4 OR 8-32.
3. PRESS MOUNTING FEET IN PLACE USING INSTALLATION TOOL PROVIDED.
4. RoHS COMPLIANT.
5. EN 60044-1 COMPLIANT.

# EFCT SERIES

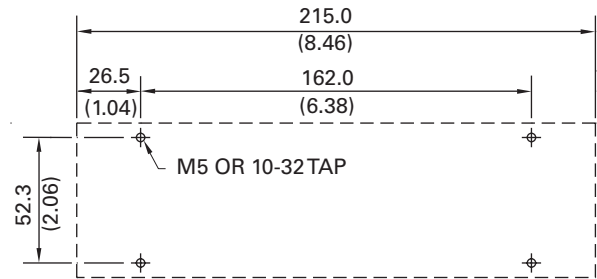
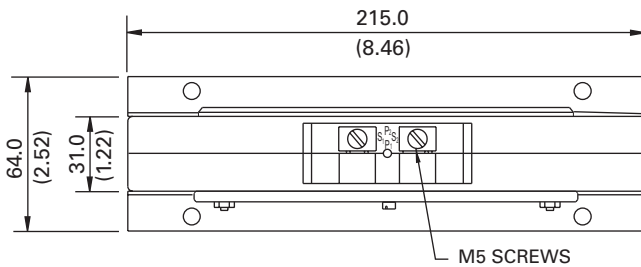
## Dimensions and Mounting Diagram

### EFCT-2



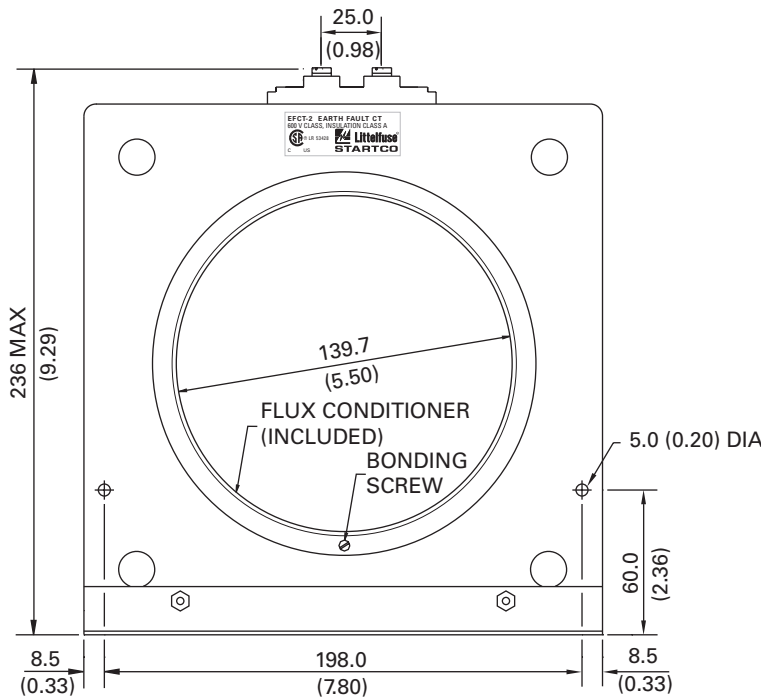
**NOTES:**

1. DIMENSIONS IN MILLIMETRES (INCHES).
2. MOUNTING SCREWS: M5 OR 10-32.
3. RoHS COMPLIANT.
4. EN 60044-1 COMPLIANT.

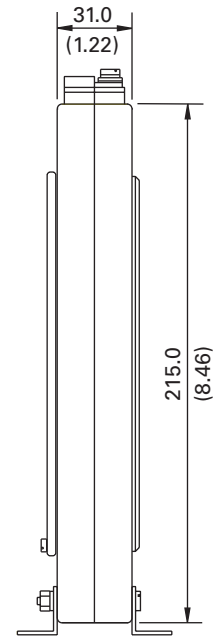


TOP

MOUNTING DETAIL



FRONT

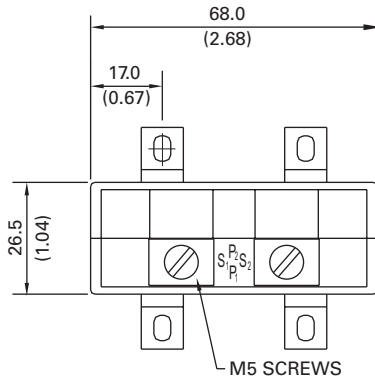


SIDE

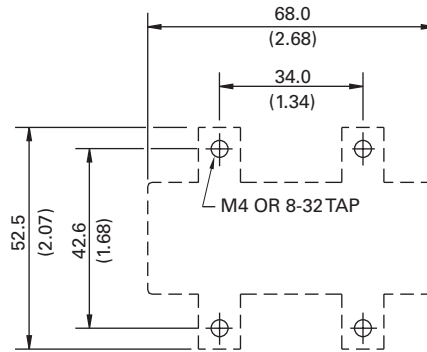
# EFCT SERIES

## Dimensions and Mounting Diagram

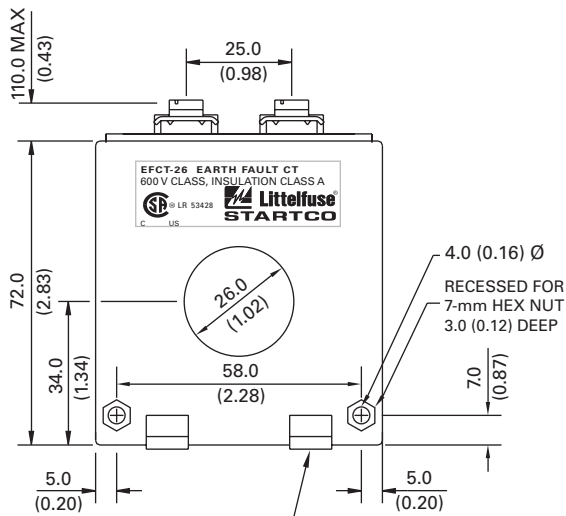
### EFCT-26



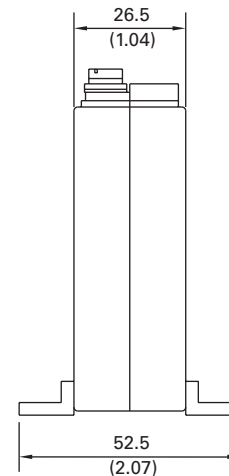
TOP



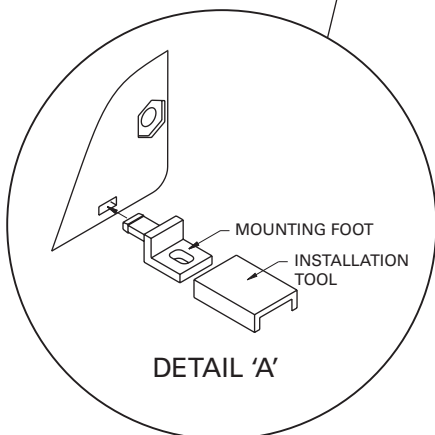
MOUNTING DETAIL



FRONT



SIDE



DETAIL 'A'

#### NOTES:

1. DIMENSIONS IN MILLIMETRES (INCHES).
2. MOUNTING SCREWS: M4 OR 8-32.
3. PRESS MOUNTING FEET IN PLACE USING INSTALLATION TOOL PROVIDED. (DETAIL 'A')
4. RoHS COMPLIANT.
5. EN 60044-1 COMPLIANT.
6. NOT ALL CERTIFICATIONS SHOWN.

单击下面可查看定价，库存，交付和生命周期等信息

[>>Littelfuse\(美国力特\)](#)