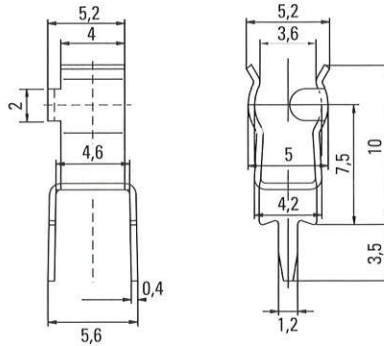
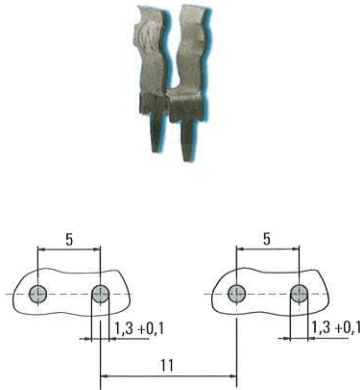


Clip / No. 520

PC Mount, 5x20mm Fuses

Specifications



Mounting
PC Board, 5mm pin spacing
Solder pins 0.4 x 1.2mm

Materials
Clip: Copper alloy
Solderable, tinned

Electrical Data (23°C)
Rated Voltage: 250V
Max. Current/Power: 6.3A/2.5W

Minimum Cross Section
Conducting path - 0.2mm²

Unit Weight
0.4g

Packaging
Bulk (5000 pcs.)

Order Number
Clip No. 520 0000 100

Clip / No. 521

PC Mount, 5x20mm Fuses
90° Pin Shift

Mounting
PC Board, 5mm pin spacing
Solder pins 0.4 x 1.2mm

Materials
Clip: Copper alloy
Solderable, tinned

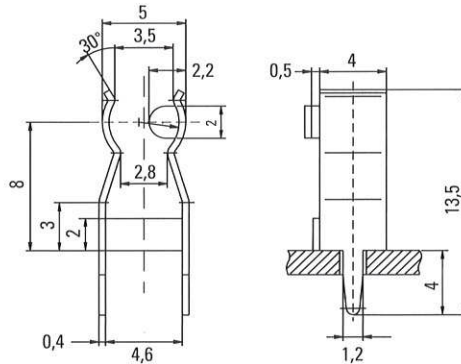
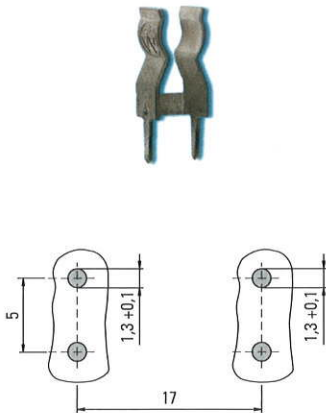
Electrical Data (23°C)
Rated Voltage: 250V
Max. Current/Power: 6.3A/2.5W

Minimum Cross Section
Conducting path - 0.2mm²

Unit Weight
0.4g

Packaging
Bulk (5000 pcs.)

Order Number
Clip No. 521 0000 100



Clip / No. 519

PC Mount, 5x20mm Fuses
Taped

Mounting
PC Board, 5mm pin spacing
Solder pins 0.3 x 0.5mm

Materials
Clip: Copper alloy
Solderable, tinned

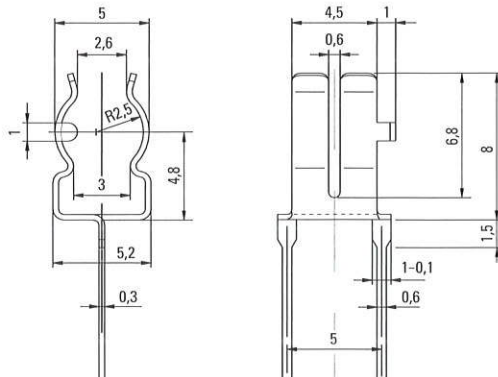
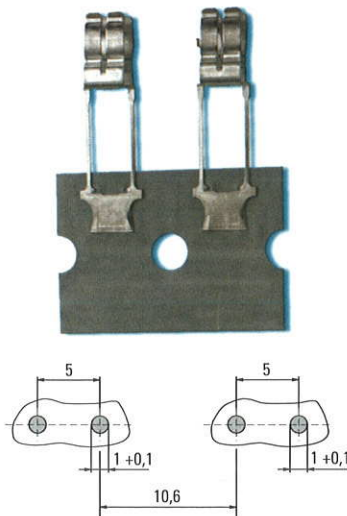
Electrical Data (23°C)
Rated Voltage: 250V
Max. Current/Power: 2.5A/1W

Minimum Cross Section
Conducting path - 0.1mm²

Unit Weight
0.5g

Packaging
Tape/Reel (1000 pcs.)

Order Number
Clip No. 519 0000 100



单击下面可查看定价，库存，交付和生命周期等信息

[>>Littelfuse\(美国力特\)](#)