

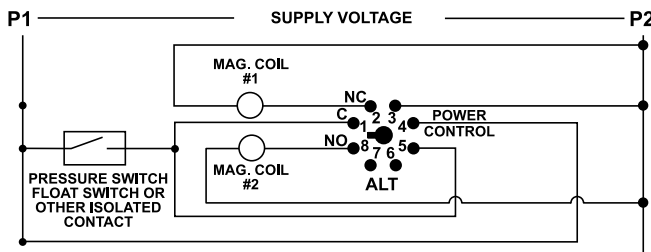
# ALT SERIES

## 8-pin Plug-in Alternating Relay

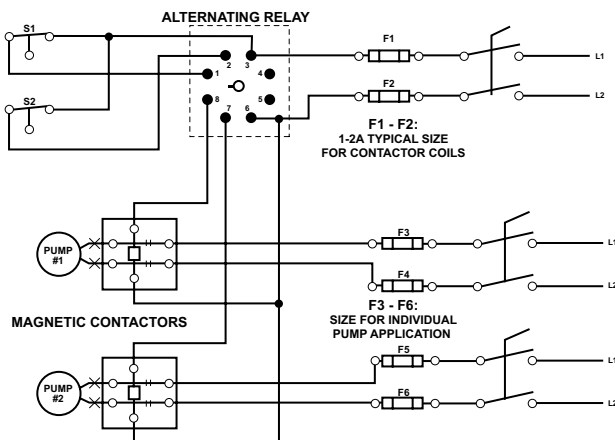


### Wiring Diagram

TYPICAL WIRING DIAGRAM FOR THE ALT-S



TYPICAL WIRING DIAGRAM FOR THE ALT-X (CROSS CONNECTED)



### Accessories



#### OT08PC Octal 8-pin Socket

8-pin 35 mm DIN rail or surface mount. Rated at 10 A @ 600 V ac. Surface mounted with two #6 screws or snaps onto a 35 mm DIN rail.

### Description

The ALT series alternating relays are used to alternate between two loads. The ALT is commonly used in duplex pumping applications to balance the runtime of both pumps.

The **ALT-S** is used in single high-level float applications. When the float switch opens, the alternating relay changes state, forcing the other pump to run the next time the float closes. All ALT relays have a built-in debounce feature that prevents the relay from changing state if the switch or float contact bounces momentarily.

The **ALT-X** has an internal cross-connected relay and is used in dual high-level float applications. These floats are commonly referred to as lead and lag floats.

The pumps alternate as in the ALT-S version but the cross-connected relay configuration allows both pumps to run simultaneously when both the lead and lag floats are closed.

These relays are also available with a built-in switch (SW option) that is used to manually force one of the pumps to run every time the float switch is closed. This is helpful when a pump has been removed for repair or for test purposes. In the case of the **ALT-X-SW**, the switch essentially forces one pump to be the lead pump, while still allowing the second to run when both floats are closed.

**Must use the OT08PC socket for UL Rating!**

\*Note: Manufacturer's recommended screw terminal torque for the OT series Octal Sockets is 12 in.-lbs.

### Features & Benefits

FEATURES	BENEFITS
<b>Debounce time delay</b>	Prevents nuisance actuating causes by waves or spashing in the tank
<b>Built-in manual/ auto switch</b>	Force lead pump operation when a pump is removed for repair or testing (on select models)

### Ordering Information

MODEL	LINE VOLTAGE	DESCRIPTION
ALT024-S <sup>†</sup>	20-26 V ac or V dc	For single high-level float applications
ALT024-S-SW <sup>†</sup>	20-26 V ac or V dc	For single high-level float applications with built in manual switch
ALT115-S	95-125 V ac	For single high-level float applications
ALT115-S-SW	95-125 V ac	For single high-level float applications with built in manual switch
ALT115-X	95-125 V ac	For dual high-level (lead and lag) float applications
ALT115-X-SW	95-125 V ac	For dual high-level (lead and lag) float applications with built in manual switch
ALT230-S	195-250 V ac	For single high-level float applications
ALT230-S-SW	195-250 V ac	For single high-level float applications with built in manual switch
ALT230-X	195-250 V ac	For dual high-level (lead and lag) float applications
ALT230-X-SW	195-250 V ac	For dual high-level (lead and lag) float applications with built in manual switch

<sup>†</sup>ALT024-S and ALT024-S-SW are not UL Listed

## ALT SERIES

### Specifications

<b>Input Characteristics</b>	
<b>Supply Current</b>	40 mA
<b>Functional Characteristics</b>	
<b>Debounce Time Delay</b>	0.5 second
<b>Control Input Impedance (min)</b>	
<b>24</b>	10 k $\Omega$
<b>115</b>	56 k $\Omega$
<b>230</b>	100 k $\Omega$
<b>Output Characteristics</b>	
<b>Output Contact Rating</b>	480 VA @ 240 V ac

### General Characteristics

<b>Temperature Range</b>	-40 °C to 50 °C (-40 °F to 122 °F)
<b>Maximum Input Power</b>	5 W
<b>Safety Marks</b>	
<b>UL (OT08PC octal socket required)</b>	UL 508 (File #E68520)
<b>CSA</b>	C22.2 No. 14 (File #46510)
<b>Dimensions (with socket)</b>	<b>H</b> 44.45 mm (1.75"); <b>W</b> 60.33 mm (2.375"); <b>D</b> 104.78 mm (4.125")
<b>Weight</b>	0.38 lb. (6.08 oz., 172.67 g)
<b>Mounting Method</b>	DIN rail or surface mount (plug into OT08PC socket)
<b>Socket Available</b>	OT08PC (UL Rating 600 V)

The 600 V socket can be surface mounted or installed on DIN rail.

单击下面可查看定价，库存，交付和生命周期等信息

[>>Littelfuse\(美国力特\)](#)