

CT200 SERIES

Current Sensor



Description

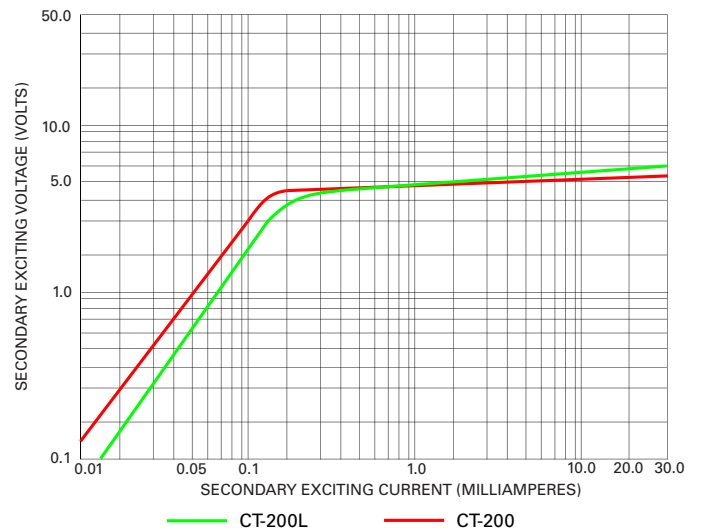
The CT200 series is a current transformer used with Littelfuse relays to detect earth-leakage or phase current.

Specifications

| | |
|------------------------------|--|
| Turns Ratio | 200:5 |
| Current Rating | 200:5 A |
| Accuracy | 2 VA 10P10 (± 3% at rated current, ± 10% at 10x rated current) |
| Frequency | 50/60 Hz |
| Insulation Level | 600 V |
| Operating Temperature | -55 to 60°C (-67 to 140°F) |
| Application | FPU-32, FPS, MPU-32, MPS, PGR-8800, SE-105, SE-107, SE-325, SE-330, SE-701 |
| Certification | CSA, UL |
| Compliance | RoHS |

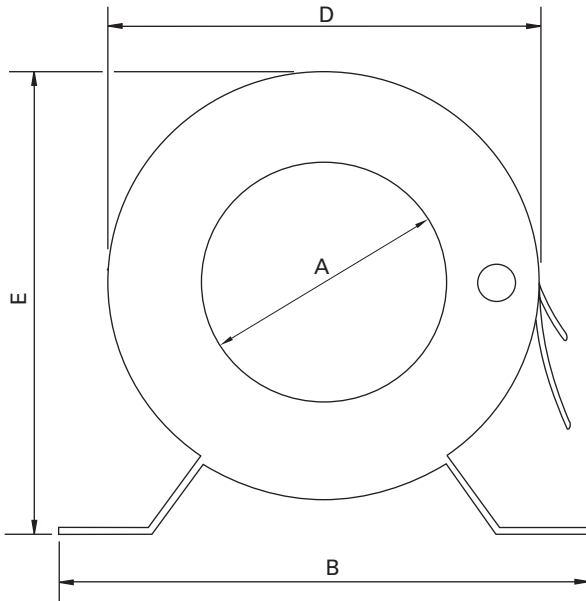
Ordering Information

| ORDERING NUMBER | WINDOW SIZE, 1D | WEIGHT |
|-----------------|-----------------|-----------------|
| CT200 | 56 mm (2.2") | 0.5 kg (1.2 lb) |
| CT200L | 89 mm (3.5") | 0.8 kg (1.8 lb) |

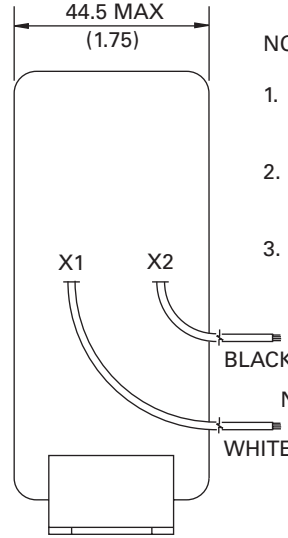


CT200 SERIES

Dimensions and Mounting Diagram



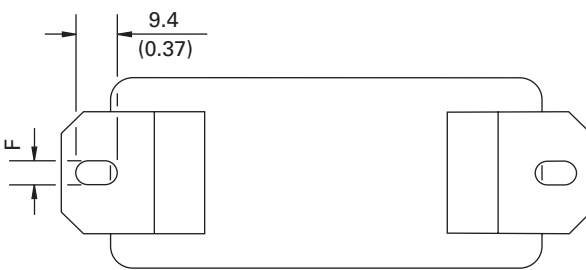
FRONT



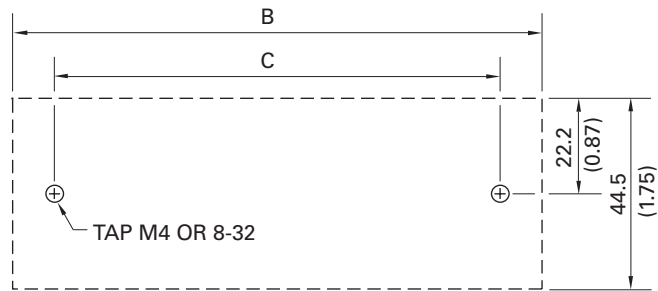
SIDE

NOTES:

1. DIMENSIONS IN MILLIMETRES (INCHES).
2. MOUNTING SCREWS: M4 OR 8-32.
3. SECONDARY LEADS 14 AWG (2.08 MM²), 609.6 MM (24.00")



BOTTOM



MOUNTING DETAIL

| PART NUMBER | DIMENSIONS | | | | | |
|-------------|-------------|--------------|--------------|--------------|--------------|------------|
| | A | B | C | D | E | F |
| CT200 | 55.9 (2.20) | 120.7 (4.75) | 101.6 (4.00) | 98.3 (3.87) | 108.0 (4.25) | 5.6 (0.22) |
| CT200L | 88.9 (3.50) | 154.0 (6.06) | 133.4 (5.25) | 139.7 (5.50) | 144.5 (5.69) | 7.1 (0.28) |

单击下面可查看定价，库存，交付和生命周期等信息

[>>Littelfuse\(美国力特\)](#)