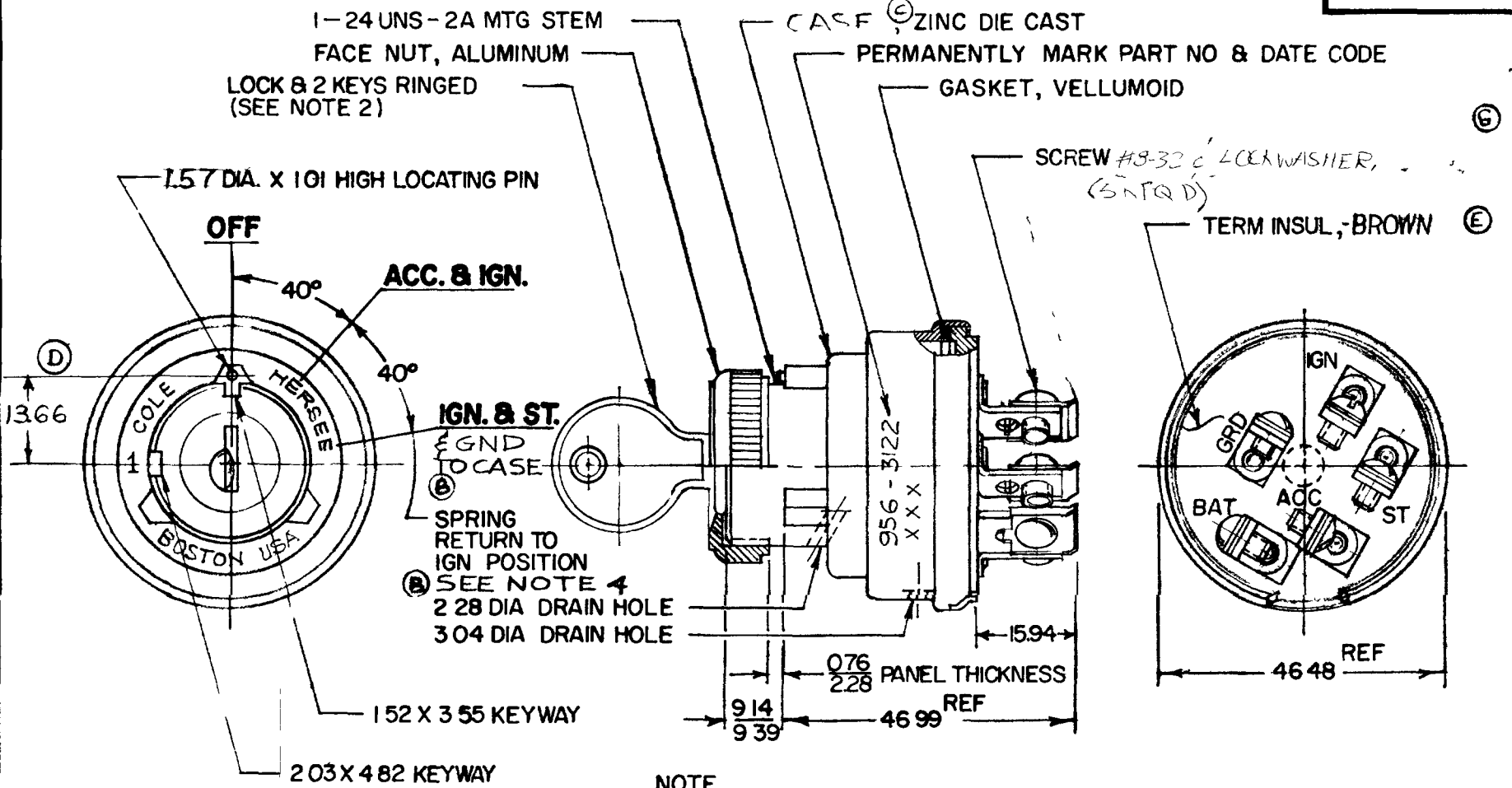


MM	IN
.25	.010
.76	.030
1.01	.040
1.52	.060
1.65	.065
2.03	.080
2.28	.090
3.04	.120
3.55	.140
4.82	.190
9.14	.360
9.39	.370
15.74	.620
16.00	.630
25.48	1.000
46.99	1.850
1.57	.062
13.66	.538

NPM 3-4-76
EX-16393C

APPLICABLE SAE STANDARD OR RECOMMENDED PRACTICE SAE J259

956-3122



- NOTE
1. TERM INSUL GASKET SEALED
 2. SHUTTER TYPE SEAL ON LOCK FACE
 3. O-RING SEAL AT MTG STEM
 4. START LOCK-OUT FEATURE, SWITCH MUST GO TO "OFF" POSITION BEFORE START CIRCUIT CAN BE RE-ENERGIZED
 5. ALL STEEL PARTS PLATED

METRIC

DO NOT SCALE

LET	WAS	DATE	BY	LET	WAS	DATE	BY	MATERIAL	DRAWN	CHECKED	APPRV'D	SCALE	DATE DRAWN
				E	ECN 25189	8/13/92	JH	— # —	EA	4-2-79		1:1	1-6-76
				D	15.74/22457	6-5-84	AK	FINISH					DATE BLUEPRINT
				C	HOUSING	8-17-88	DB	— # —					
G	2.03 X 4.82	12/22/92	AK	B	NOTE ADDED 21267	12-22-80	DB	TOLERANCES					
F	CAD ON ZINC / 25239	12/22/92	AK	A	REDRAWN	3-22-79	FR	DECIMAL ±					
								METRIC ± .25					

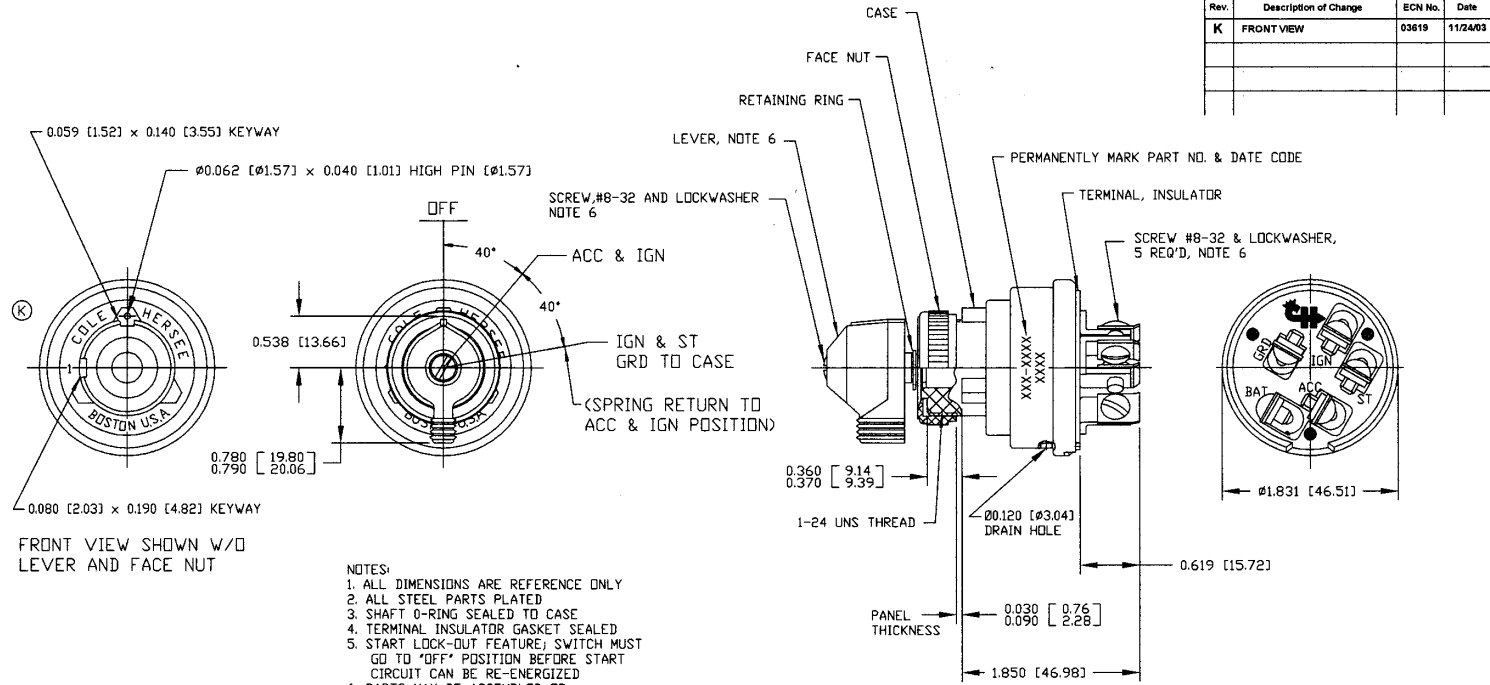
CH Cole Hersee Co.
20 OLD COLONY AVE SOUTH BOSTON MA US 02127

3- POSITION
IGNITION & START SWITCH 956-3122

CH 188(4 78)

Revision Control Record

Rev.	Description of Change	ECN No.	Date
K	FRONT VIEW	03619	11/24/03



FRONT VIEW SHOWN W/O LEVER AND FACE NUT

- NOTES:
1. ALL DIMENSIONS ARE REFERENCE ONLY
 2. ALL STEEL PARTS PLATED
 3. SHAFT O-RING SEALED TO CASE
 4. TERMINAL INSULATOR GASKET SEALED
 5. START LOCK-OUT FEATURE; SWITCH MUST GO TO 'OFF' POSITION BEFORE START CIRCUIT CAN BE RE-ENERGIZED
 6. PARTS MAY BE ASSEMBLED OR SUPPLIED IN A PLASTIC BAG
 7. APPLICABLE SAE STANDARD OR RECOMMENDED PRACTICE SAE J259

ST CIRCUIT	5 AMPS
IGN CIRCUIT	10 AMPS
ACC CIRCUIT	10 AMPS
RATING AT 12 VDC	

Interchange: Unless otherwise specifically noted, the following are default dimensions:
 • Duplicate Decimal Dimensions = .01"
 • Duplicate Decimal Dimensions = .005"
 • Angular Dimensions = ±1.0 Deg.
 • Metric: Refer to equivalent English Dimension Tables
 *** NOTE: All tolerances are Non-Conservative. ***

Dimensional Limits: All dimensions are expressed in inches except those shown in brackets (mm) are expressed in millimeters.

***** See also Ashford, L. - Non-Toleranced Reference Dimension *****

Used or Re: Downloaded From [Oneyac.com](http://www.Oneyac.com)

PROPRIETARY INFORMATION: This Engineering Drawing, and the information contained herein, is proprietary to Cole Hersee Company and may not be disclosed, reproduced, or in any other way transmitted or communicated to any other party without the express written consent of an authorized representative of Cole Hersee Company.

DESIGN CONTROL: It is the responsibility of the individual using/referencing this drawing to ensure that the noted design revision level agrees with the revision level of the Control Document (Master Drawing). This is a NON-CONTROLLED DOCUMENT unless otherwise specifically noted.

DO NOT SCALE: Dimensional variation may occur during printing!

Basic Characteristics:

- ⊕ Critical Characteristics: relating to Safety and/or Regulatory Compliance
- ⊗ Significant Characteristics relating to Process Control (SPC)
- ⓧ Control Dimension relating to Form - Fit - Function as defined by Cole Hersee Company and/or the Customer.

(Note that the identification of any Characteristics as being "Critical" does not alter the requirement that ALL specified dimensions & tolerances must be met.)

Responsible Engineer: Pg. 1 of 1

Cole Hersee Co.
 30 Old Colony Ave., South Boston, MA, 02127
 Phone: 617-268-2100 Web: www.colehersee.com

Description: **SW, IGN & START, 3 POS**

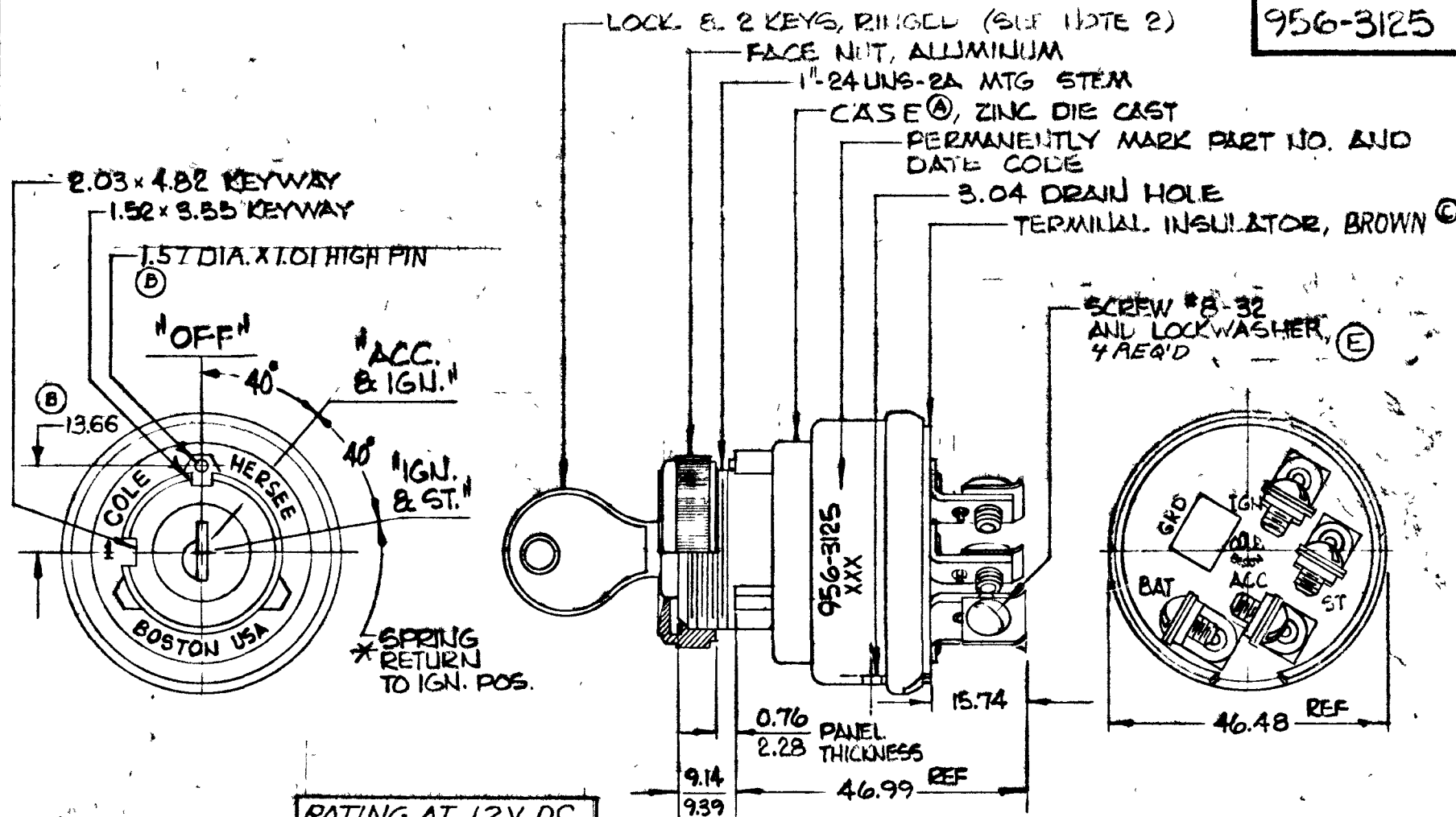
Drawing / Part No.: **956-3124**

Current Rev.: **K**

MM	IN
0.25	.010
0.76	.030
1.01	.040
1.57	.062
1.52	.059
2.03	.080
2.28	.090
3.55	.140
4.82	.190
9.14	.360
9.39	.370
15.74	.620

46.48	1.850
46.99	1.850
3.04	.120
13.66	.538

COLE-HERSEE CO.
NPM



956-3125

RATING AT 12V DC	
ACC	30 AMPS
IGN	10 AMPS
START	10 AMPS

METRIC

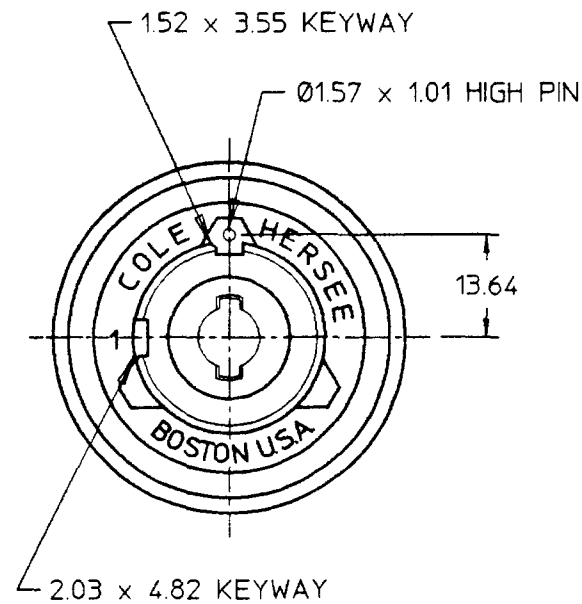
- NOTES:
1. TERMINAL INSULATOR GASKET SEALED.
 2. SHUTTER TYPE SEAL ON LOCK FACE.
 - *3. START LOCK-OUT FEATURE; SWITCH MUST GO TO "OFF" POSITION BEFORE START CIRCUIT CAN BE RE-ENERGIZED.
 4. APPLICABLE SAE STANDARD OR RECOMMENDED PRACTICE SAE J259.
 - ⑤ ALL STEEL PARTS PLATED

DO NOT SCALE

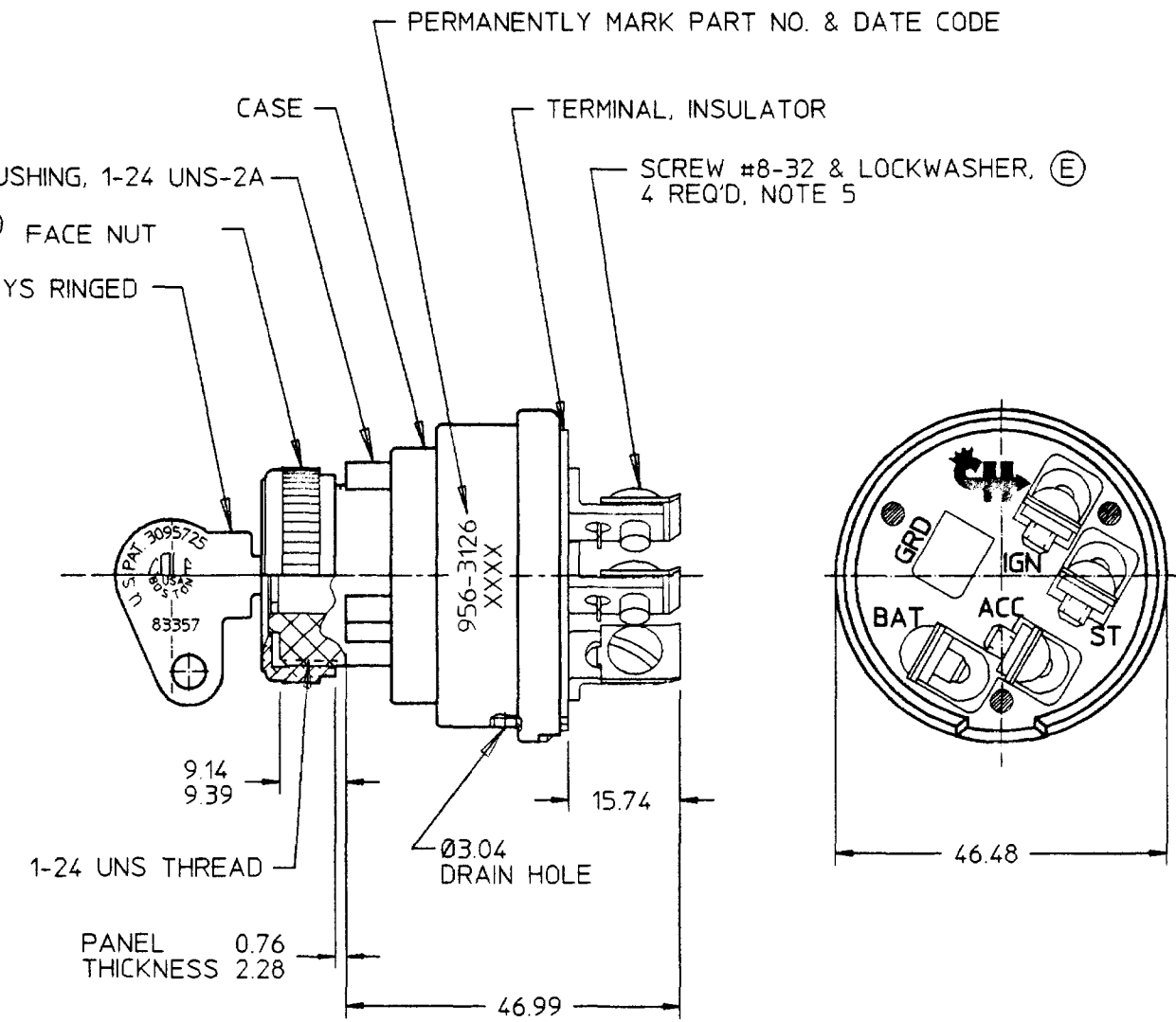
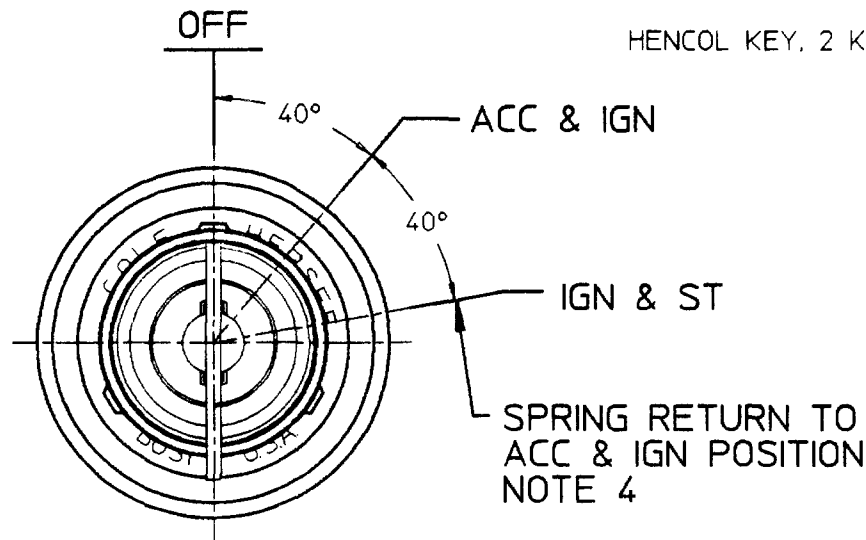
LET	WAS	DATE	BY	LET	WAS	DATE	BY	MATERIAL	DRAWN	CHECKED	APPRV D	SCALE	956-3122 LESS O-RINGS & GND CIRCUIT	DATE DRAWN
				D	NO ADDED	12/20/90	SH	—	KPC	RF		1:1		10-26-76
				C	ECN 25189	8/13/76	WH	FINISH	COLE-HERSEE COMPANY BOSTON, MASS. 02127, U.S.A.					DATE BLUEPRINT
				B	16.02/22457	6-5-84	WH	—						
				A	HOUSING	813-82	CR	TOLERANCES	3-POSITION IGN. & START SWITCH					956-3125
E	ECN 40137	3/1/00	MA		15 JUL	11 2 16	TY	FRACTIONAL ±						
								DECIMAL ±.25						

SPAULDING CO., INC 21-5353

MM	IN
0.76	0.030
1.01	0.040
1.52	0.059
1.57	0.061
2.03	0.080
2.28	0.090
3.04	0.120
3.55	0.140
4.82	0.190
9.14	0.360
9.39	0.370
13.66	0.538
19.81	0.780
20.06	0.790
46.48	1.830
46.99	1.850



FRONT VIEW SHOWN W/O KEY AND FACE NUT



- NOTES:
1. ALL DIMENSIONS ARE REFERENCE ONLY
 2. ALL STEEL PARTS PLATED
 3. TERMINAL INSULATOR GASKET SEALED
 4. START LOCK-OUT FEATURE, SWITCH MUST GO TO "OFF" POSITION BEFORE START CIRCUIT CAN BE RE-ENERGIZED
 5. PARTS MAY BE ASSEMBLED OR SUPPLIED IN A PLASTIC BAG
 6. APPLICABLE SAE STANDARD OR RECOMMENDED PRACTICE SAE J259

(E)

DO NOT SCALE

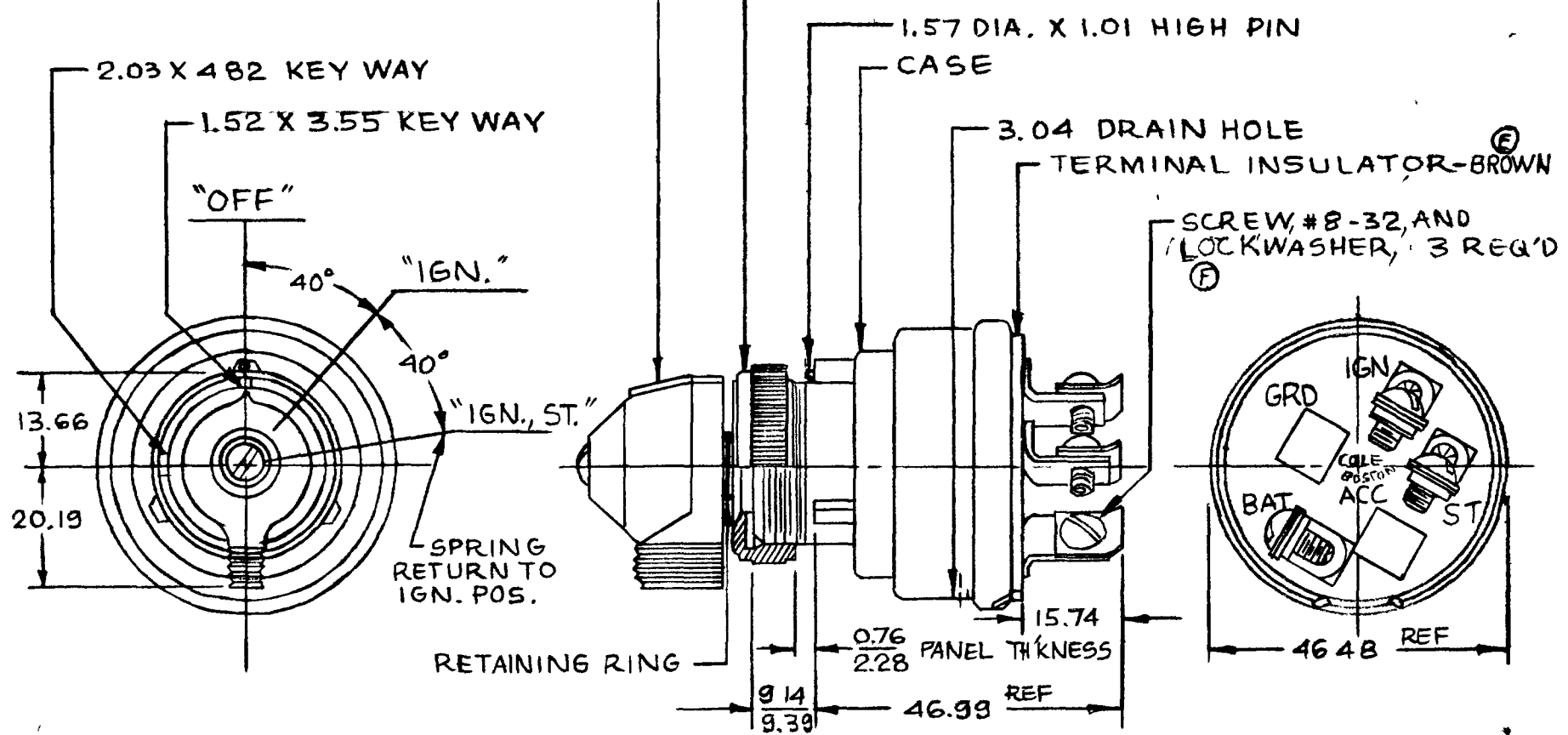
LET.	WAS	DATE	BY	LET.	WAS	DATE	BY	MATERIAL	DRAWN	CHK	APVD	SCALE	DATE DRAWN
									KG	Jmp		1:1	10/27/97
								FINISH	Cole Hersee Co. 20 OLD COLONY AVENUE, BOSTON, MA., U.S.A., 02127				DATE BLUEPRINTED
				F	ECN #98258	04/29/98	COL	TOLERANCES	SW, IGN & START, 3 POS				956-3126
				E	PUT ON CAD ECN #26936	9/12/97	AJS	DECIMAL ± ANGLE ±					

METRIC

MM	IN
0.25	.010
0.76	.030
1.01	.040
1.57	.060
2.03	.080
2.28	.090
2.55	.100
4.82	.190
9.14	.360
9.39	.370
15.74	.620
20.19	.795
46.48	1.830
46.99	1.850
15.74	.620
13.66	.538
3.04	.120

956-3127

APPLICABLE SAE STANDARD OR RECOMMENDED PRACTICE SAE J259



RATING AT 24 VDC
IGN CIRCUIT 10 AMPS
ST. CIRCUIT 5 AMPS

NOTES:
1. SHAFT O RING SEALED TO HOUSING
2. TERMINAL INSULATOR GASKET SEALED
3. START LOCK-OUT FEATURE; SWITCH MUST GO TO "OFF" POSITION BEFORE START CIRCUIT CAN BE RE-ENERGIZED.

METRIC

DO NOT SCALE

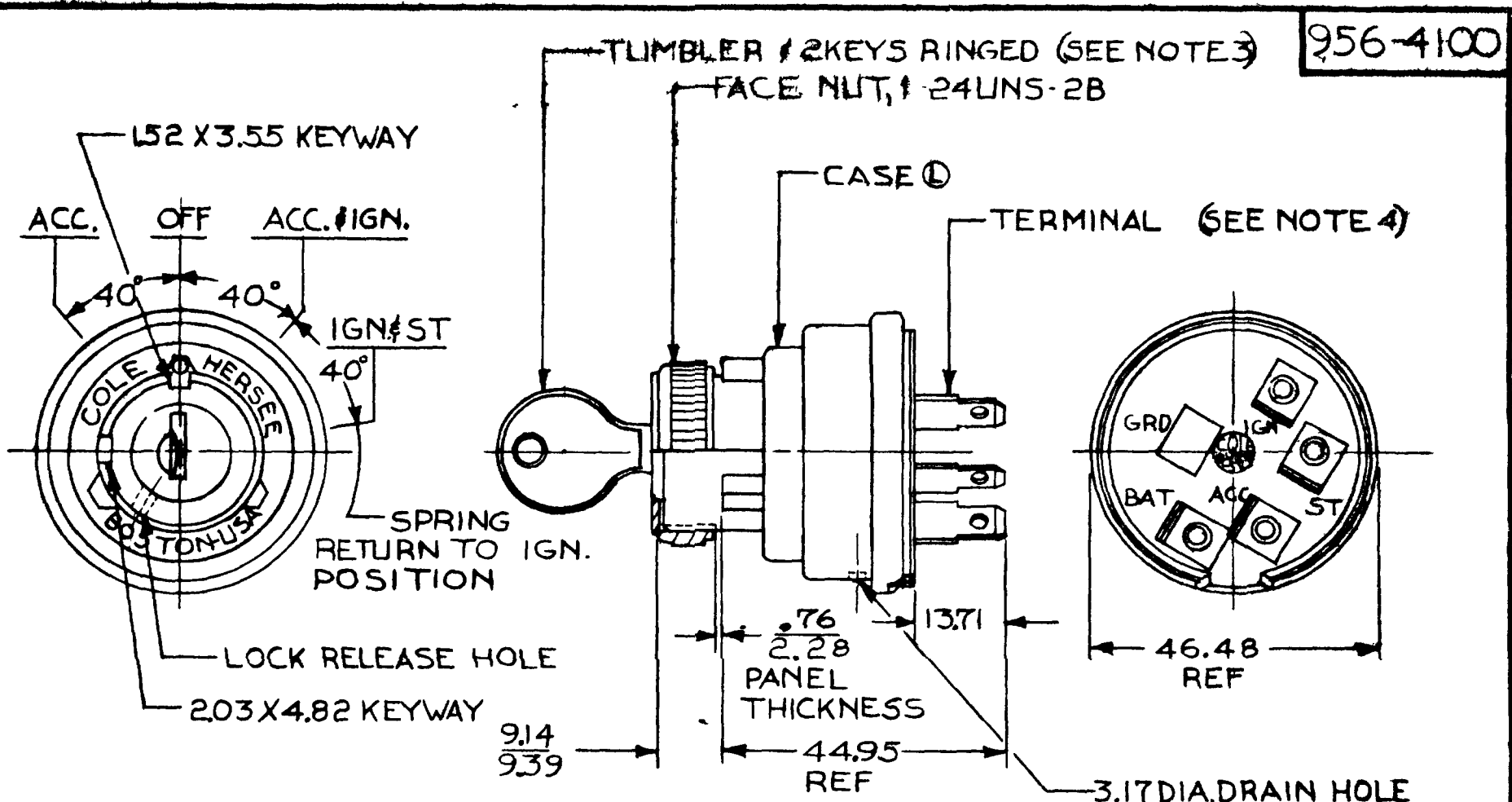
LET	WAS	DATE	BY	LET	WAS	DATE	BY	MATERIAL	DRAWN	CHECKED	APPRV L	SCALE	DATE DRAWN
								#	EA			1:1	1-10-77
								FINISH					DATE BLUEPRINT
				F	ECN 00140	3/1/00	MA						
				E	ECN 25189	8/1/92	TJH	TOLERANCES					
				D	REDRAWN	10/29/90	BL	DECIMAL ±					
								METRIC ±.25					
3 POSITION IGN. & START SWITCH												956-3127	

CH-188(4-78)

MM IN
 .25 .010
 .76 .030
 1.52 .060
 2.03 .080
 2.28 .090
 3.55 .140
 4.82 .190
 9.14 .360
 9.39 .370
 13.71 .540
 44.95 1.770
 46.48 1.830

TSE-1034

EX 14258



956-4100

METRIC

RATINGS AT 12VDC	
ACC. CIRCUIT	10 AMPS
IGN. "	10 "
ST. "	5 "

- NOTES:
1. APPLICABLE SAE STANDARD OR RECOMMENDED PRACTICE SAE J259
 2. LOCK REMOVABLE IN IGN. POSITION
 3. SHUTTER TYPE SEAL ON LOCK FACE
 4. TERMINALS ARRANGED TO FIT PACKARD CONNECTOR #2962912 OR EQUIV.

DO NOT SCALE

LET	WAS	DATE	BY	LET	WAS	DATE	BY	MATERIAL	DRAWN	CHECKED	APPR'D	SCALE	DATE DRAWN
								#	M.F.	4-28-80		1:1	2-24-66
								FINISH					DATE BLUEPRINT
								TOLERANCES	 10 OLD BOSTON AVENUE SOUTH BOSTON MA U.S.A. 02127				
								DECIMAL ±					IGN & START SWITCH
								METRIC ± .05	(4 POSITION)				

956-4100

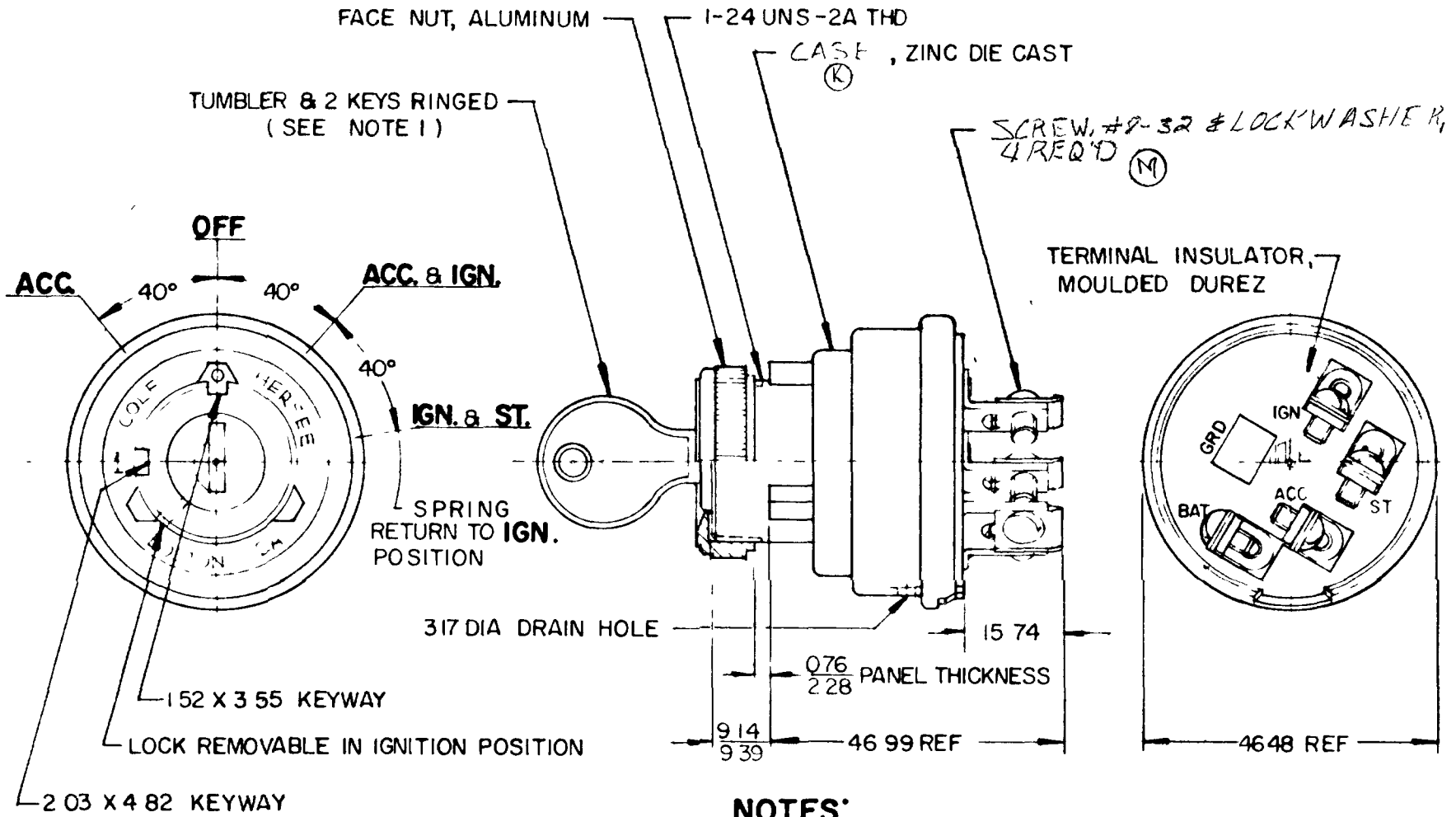
CH-1894-78

MM IN
 1.27 0.05
 1.52 0.06
 1.78 0.07
 2.03 0.08
 2.28 0.09
 2.54 0.10
 2.79 0.11
 3.05 0.12
 3.30 0.13
 3.55 0.14
 3.81 0.15
 4.06 0.16
 4.32 0.17
 4.57 0.18
 4.83 0.19
 5.08 0.20
 5.34 0.21
 5.59 0.22
 5.84 0.23
 6.10 0.24
 6.35 0.25
 6.61 0.26
 6.86 0.27
 7.12 0.28
 7.37 0.29
 7.63 0.30
 7.88 0.31
 8.14 0.32
 8.39 0.33
 8.64 0.34
 8.90 0.35
 9.15 0.36
 9.41 0.37
 9.66 0.38
 9.92 0.39
 10.17 0.40
 10.43 0.41
 10.68 0.42
 10.94 0.43
 11.19 0.44
 11.44 0.45
 11.70 0.46
 11.95 0.47
 12.21 0.48
 12.46 0.49
 12.72 0.50

APPLICABLE SAE STANDARD OR RECOMMENDED PRACTICE SAE J259

956-4104

EX-14258



NOTES:

- 1 SHUTTER TYPE SEAL ON LOCK FACE
- Ⓚ2 ALL STEEL PARTS PLATED

METRIC

RATINGS AT 12 VDC	
ACC CIRCUIT	10 AMPS
IGN CIRCUIT	10 AMPS
ST CIRCUIT	5 AMPS

DO NOT SCALE

LET	WAS	DATE	BY	LET	WAS	DATE	BY	ATERIAL	DRAWN	HEIGHTER	SCALE	DATE DRAWN
								—#—	MF	1-26-79	1:1	3-15-66
				M	ECN 00137	3/1/00	MA	FINISH				DATE BLUEPRINT
				L	LABOR ZINC 125234	12/22/90	YH					
				K	HOUSING	8/15/87	RS	TOLERANCES				
				J	REDRAWN	1/18/79	JJ	FRACTIONAL ±	4 - POSITION IGNITION & START SWITCH			956-4104
							DECIMAL ± .25					

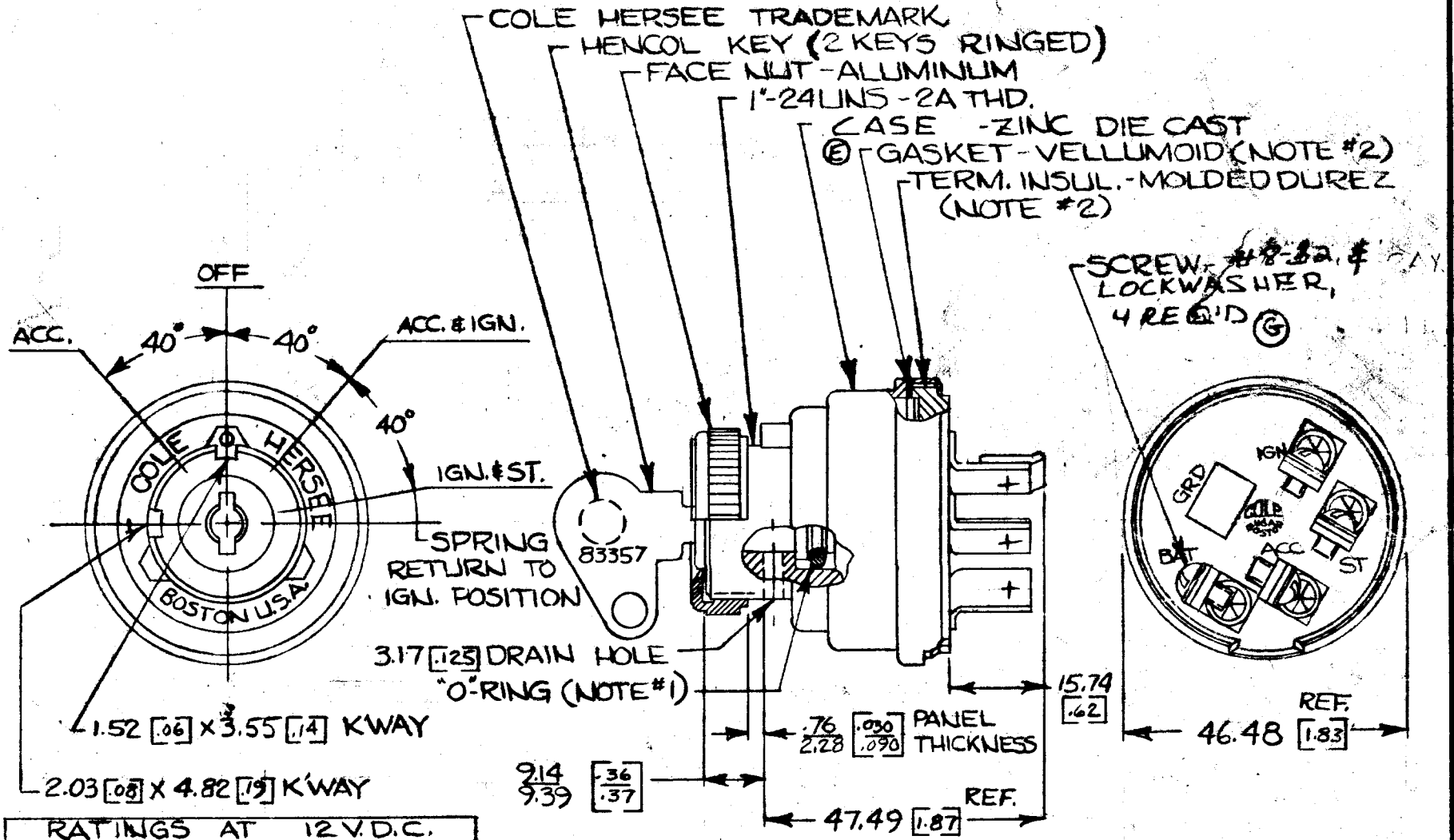
CH 188 (4 78)

APPLICABLE SAE STANDARD OR RECOMMENDED PRACTICE SAE J259

956-4107

COLE-HERSEE CO.

EX-14258



RATINGS AT 12 V.D.C.	
ACC. CIRCUIT	10 AMPS
IGN.	10
ST.	5

DIMENSIONS: MILLIMETERS [INCHES]

NOTE:
 1) SHAFT O-RING SEALED TO HOUSING
 2) TERMINAL INSULATOR (GASKET SEALED)
 3) ALL STEEL PARTS PLATED DO NOT SCALE

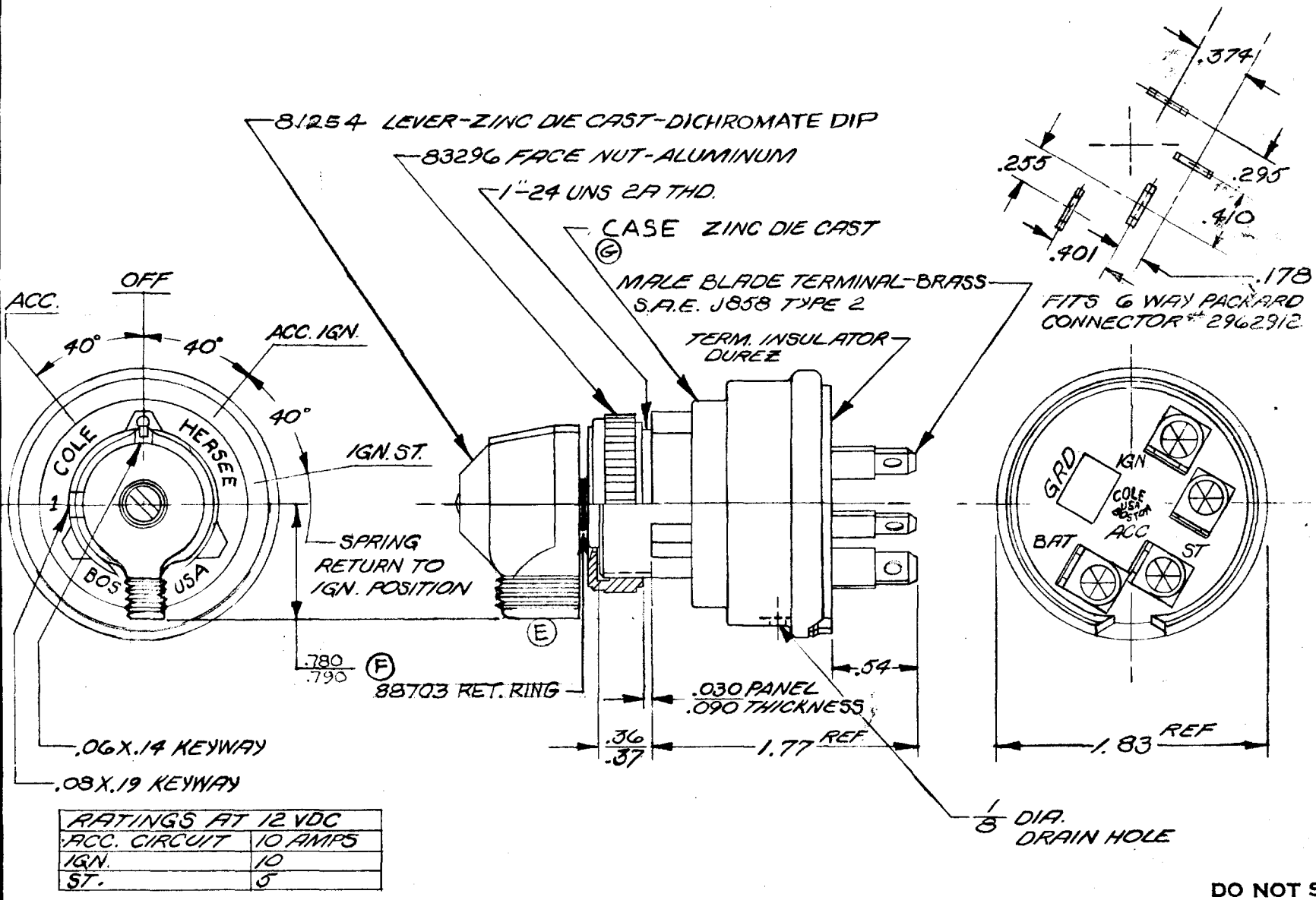
LET	WAS	DATE	BY	LET	WAS	DATE	BY	MATERIAL	DRAWN	CHECKED	APPR'D.	SCALE	DATE DRAWN
									CF	UM		1:1	9-20-66
				G	ECN 0137	3/1/00	AM	FINISH	COLE-HERSEE COMPANY BOSTON, MASS. 02127, U.S.A. 4 POSITION IGN. & START SWITCH				DATE BLUEPRINT
				F	ADD 125234	12/18/92	JH						DATE BLUEPRINT
				E	HOUSING	8-13-82	PH	TOLERANCES FRACTIONAL ± DECIMAL ±.010					DATE BLUEPRINT
				D	REDRAWN	2-11-76	WJ		956-4107				

SPAULDING CO., INC. 21-56481

COLE-HERSEE CO. TSE-#1034

APPLICABLE SAE STANDARD OR RECOMMENDED PRACTICE SAE J259

956-4111



RATINGS AT 12 VDC	
ACC. CIRCUIT	10 AMPS
IGN.	10
ST.	5

DO NOT SCALE

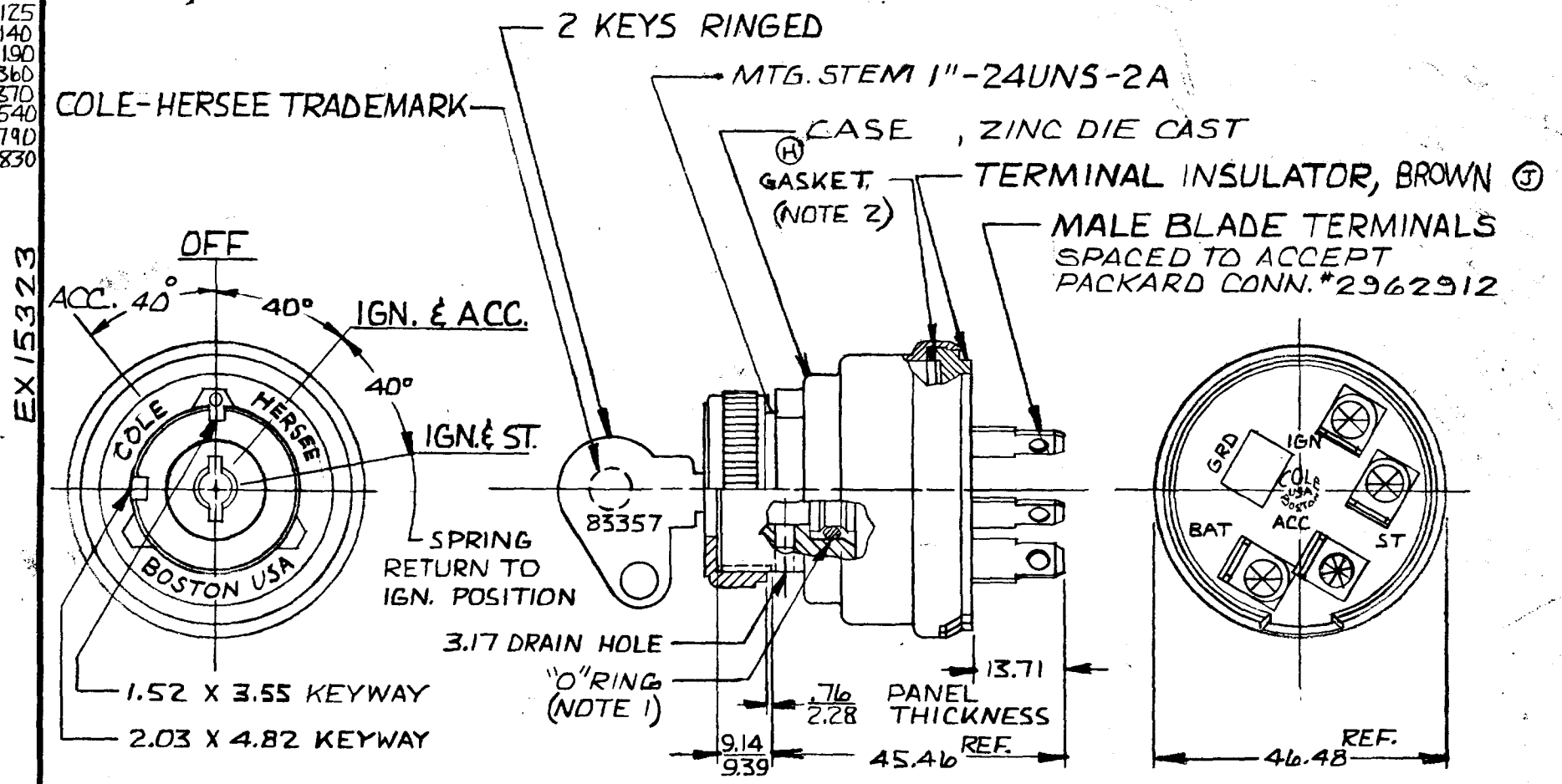
LET	WAS	DATE	BY	LET	WAS	DATE	BY	MATERIAL	DRAWN	CHECKED	APPRV'D.	SCALE	DATE DRAWN
				G	HOUSING	8-13-66	CR	///	N.B	UNV 2 MAR 73		FULL	1-18-68
				F	ADDED RING/20329	10-13-78	RR	FINISH	COLE-HERSEE COMPANY BOSTON, MASS. 02127, U.S.A.				DATE BLUEPRINT
				E	LEVER/10343	4-8-71	REI	///					
				D	SAE SPEC ADDED	3-5-74	W	TOLERANCES	4 POSITION IGN. & START SWITCH				956-4111
				C	NO CHANGE	3-21-75	JS	FRACTIONAL ± DECIMAL ±.010					

SPAULDING CO., INC. 47570

MM.	IN.
.25	.010
.76	.030
1.52	.060
2.03	.080
2.28	.090
3.17	.125
3.55	.140
4.82	.190
9.14	.360
9.39	.370
13.71	.540
45.46	1.790
46.48	1.830

956-4113

APPLICABLE SAE STANDARD OR
RECOMMENDED PRACTICE SAE J 259



RATING AT 12 VDC	
IGN	10 AMPS
START	5 AMPS
ACC	30 AMPS

METRIC

- NOTE:
1. SHAFT "O" RING SEALED TO HOUSING
 2. TERMINAL INSULATOR GASKET SEALED

DO NOT SCALE

LET.	WAS	DATE	BY	LET.	WAS	DATE	BY	MATERIAL	DRAWN	CHECKED	APPR'D.	SCALE	DATE DRAWN
								H	CF	LP6		1:1	3-6-69
								FINISH					DATE BLUEPRINT
				J	ECN 25189	8-13-92	JH						
				H	HOLISING	8-13-88	PS	TOLERANCES					
				G	REDRAWN NO CHANGE	2-26-81	EA	DECIMAL ± METRIC ±.25					
<p>Cole Hersee Co. 20 OLD COLONY AVENUE, SOUTH BOSTON, MA., U.S.A. 02117</p>													
<p>4 POSITION IGN. & START SWITCH</p>												956-4113	

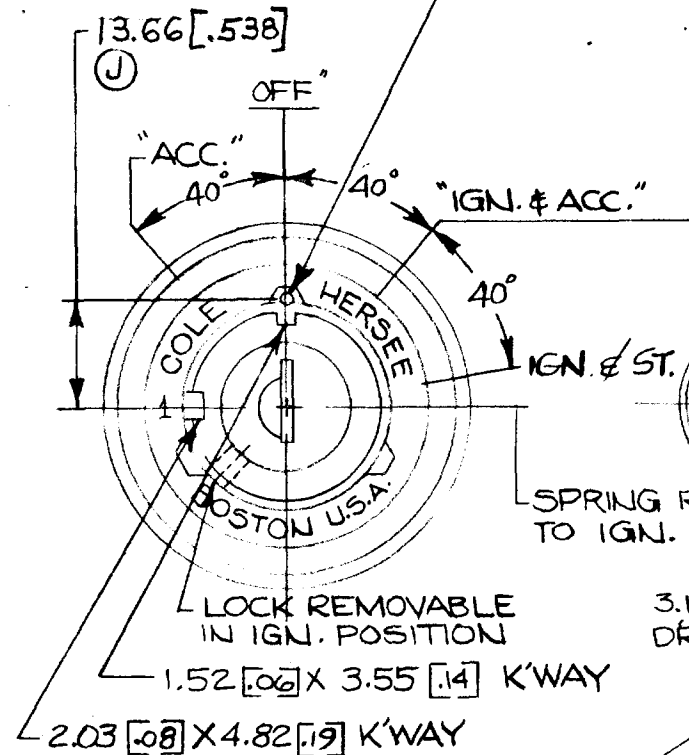
CH-188(4-78)

COLE-HERSEE CO. NPM 9-27-71
EX 16009 E

APPLICABLE SAE STANDARD OR RECOMMENDED PRACTICE SAE J259

956-4116

1.57 [.062] DIA. x 1.01 [.040] HIGH PIN.
①



TUMBLER #2 KEYS-RINGED

FACE NUT-ALUMINUM

1-24 UNF-2A THD.

CASE - ZINC DIE CAST

② TERM. INSULATOR - BROWN ③

MALE BLADE TERMS-BRS. SAE J858 TYPE 2 SPACED TO ACCEPT PACKARD ELEC. CONN. NO. 962912

SPRING RETURN TO IGN. POSITION

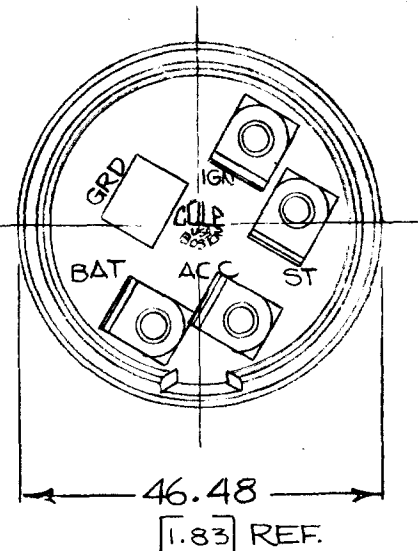
3.17 [.125] DR. HOLE

9.14 [.36] 9.39 [.37]

13.71 [.54] PANEL THICK.

.76 [.030] 2.28 [.090]

44.95 [1.77] REF.



PERMANENTLY MARK SWITCH NO. & DATE CODE ON SIDE OF CASE

- 1) DIMENSIONS : MILLIMETERS [INCHES]
- 2) SILVER LAMINATED CONTACT SURFACES
- 3) SHUTTER TYPE SEAL ON LOCK FACE
- 4) SHOULDER TYPE RIVET CONSTRUCTION
- 5) TERM. INSUL. GASKET SEALED

DO NOT SCALE

LET	WAS	DATE	BY	LET	WAS	DATE	BY	MATERIAL	DRAWN	CHECKED	APPR'D.	SCALE	4100 W/SILVER CONTACTS & FIBERITE TERM. INSUL.	DATE DRAWN
								NOTED	RW	B		1:1		9-16-71
				K	ECN 25189	4/2/72	TSH	FINISH	COLE-HERSEE COMPANY BOSTON, MASS. 02127, U.S.A.					DATE BLUEPRINT
				J	REVISEL/2245	6/6/84	YAK	11						
				H	HOUSING	8-13-88	PPS	TOLERANCES	4 POSITION IGNITION & START SWITCH					956-4116
				G	REDRAWN	7-21-75	UWH	FRACTIONAL ± DECIMAL ±.010						

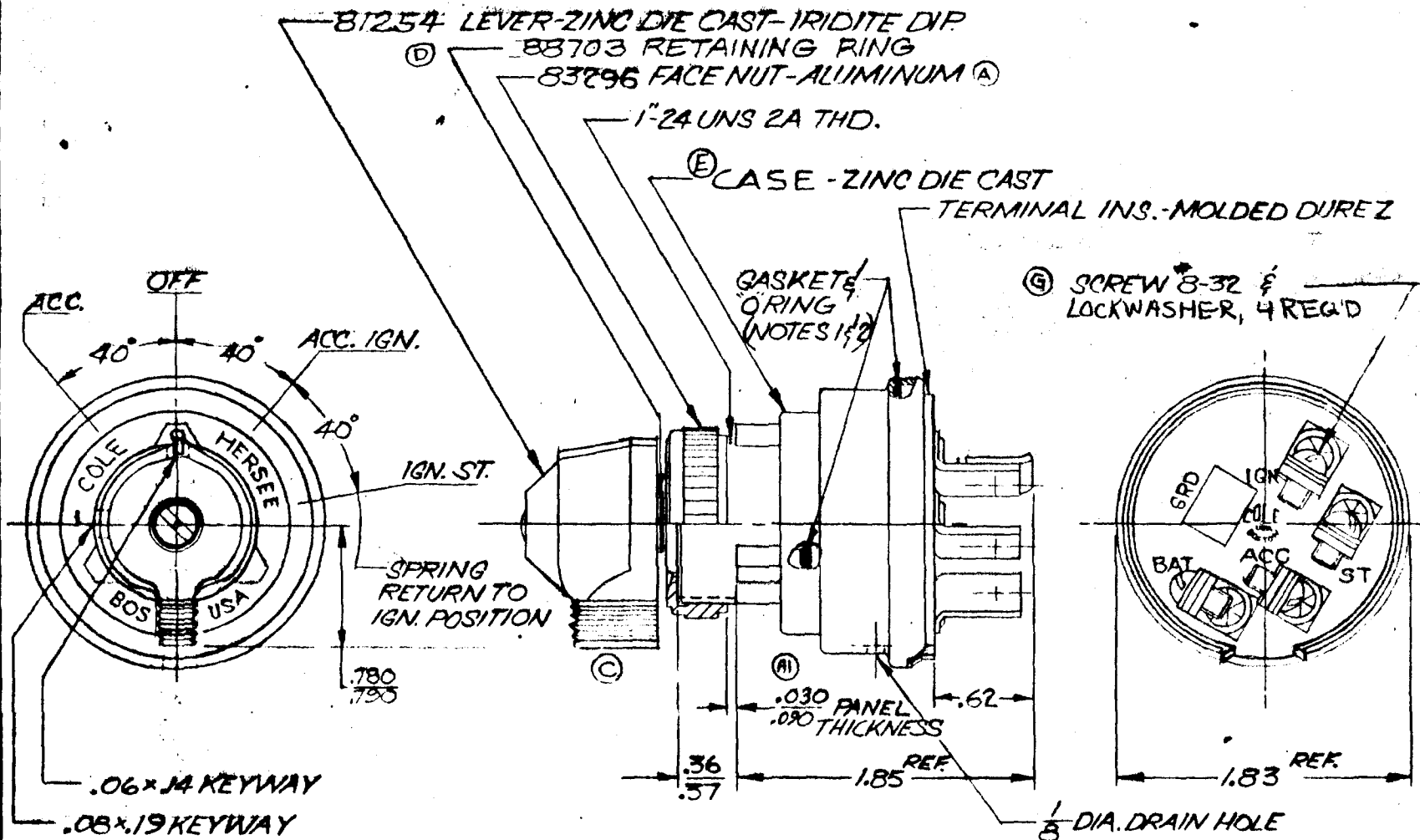
SPAULDING CO., INC. 21-55259

APPLICABLE SAE STANDARD OR RECOMMENDED PRACTICE SAEJ259

956-4124

NPM. 1-10-72

EX NONE



RATINGS AT 12V D.C.	
ACC. CIRCUIT	10 AMPS
IGN.	10
ST.	5

- NOTES:
1. SHAFT O'RING SEALED TO HOUSING.
 2. TERMINAL INSULATOR GASKET SEALED.
 3. ALL STEEL PARTS PLATED

DO NOT SCALE

LET	WAS	DATE	BY	LET	WAS	DATE	BY	MATERIAL	DRAWN	CHECKED	APPR'D	SCALE	Blk. 956 4111	DATE DRAWN
				C	81254 LEVER / 19843	4-6-77	RMT	—	CT	REC		FULL		1-12-72
G	ECN #00138	3/1/00	KE	B	SAE SPEC ADDED	3-5-74	3 W	FINISH	COLE-HERSEE COMPANY BOSTON, MASS. 02127, U.S.A.					DATE BLUEPRINT
F	NOT ADDED / 25234	12/22/92	JH	A1	.060 / .110	17877	6 Y	—						
E	HOUSING	8-6-86	P	A	83344	17877	10-4-72	B	4 POSITION IGN. & START SWITCH					956-4124
D	RING / 20329	10-18-78	R		ISSUE	(1-12-77)		TOLERANCES FRACTIONAL ± DECIMAL ±0.010						

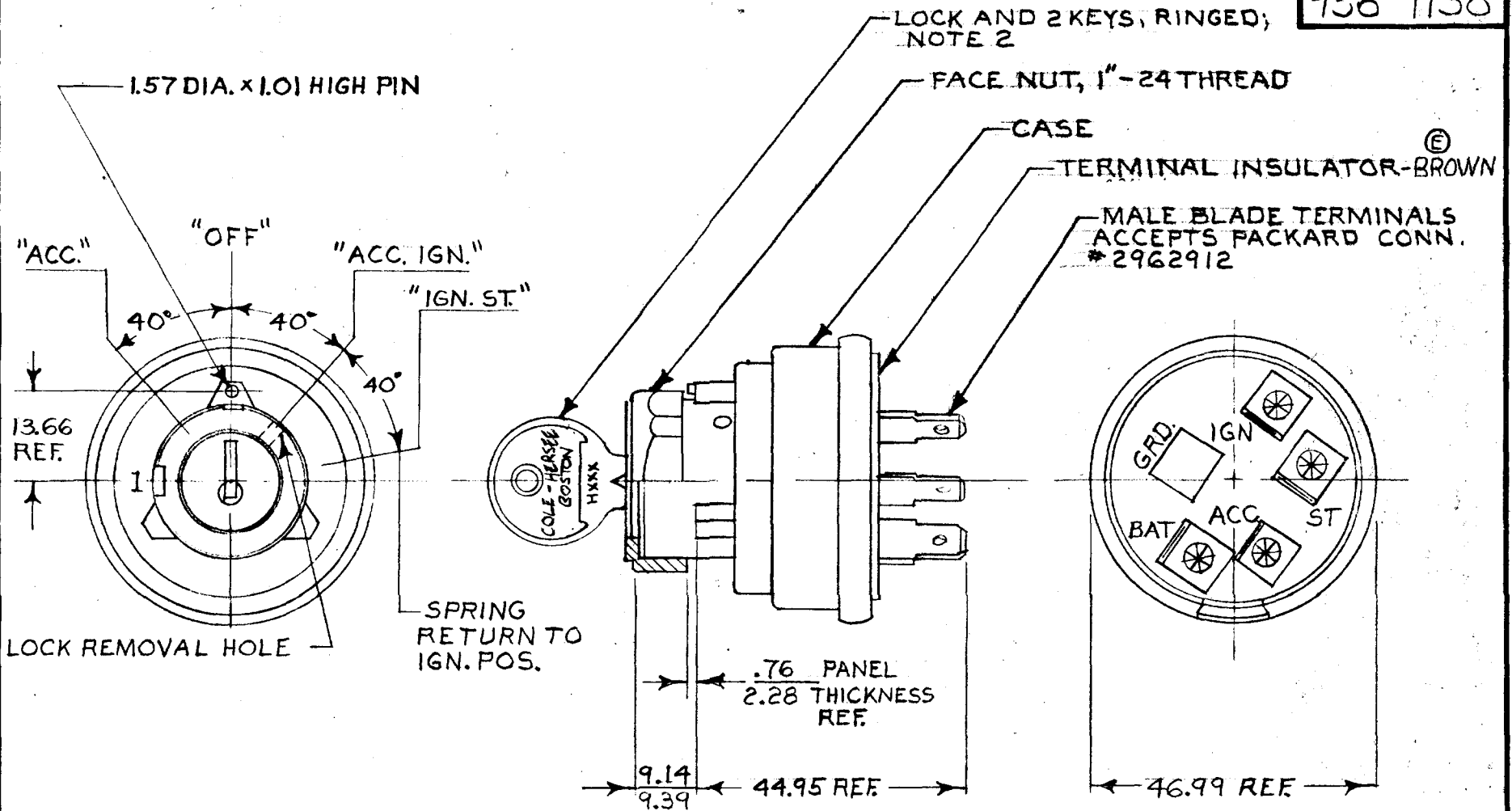
SPAULDING CO., INC.

COLE-HERSEE CO.

MM IN
 .76 .03
 2.28 .09
 9.14 .36
 9.39 .37
 13.66 .538
 25.65 1.01
 39.88 1.57
 44.95 1.77
 46.99 1.85

956-4138


NPM 8-30-77



- NOTES:
1. SWITCH DESIGNED TO PERMIT REMOVAL OF TUMBLER LOCK IN ACC. POSITION
 2. SWITCH SUPPLIED WITH STRATTEC[®] TUMBLER LOCK NO. 85144.
 3. ALL STEEL PARTS PLATED

METRIC

DO NOT SCALE

LET.	WAS	DATE	BY	LET.	WAS	DATE	BY	MATERIAL	DRAWN	CHECKED	APPR'D.	SCALE	DATE DRAWN
								✓	KG	<i>[Signature]</i>		1:1	2-5-76
				G	ECN# 27087	10/21/97	AJS	FINISH					DATE BLUEPRINT
				F	ECN # 26335	10/17/96	Jmp	✓					
				E	ECN 25189	8-14-92	TJH	TOLERANCES	 SWITCH IGNITION & START 4 POS.				956-4138
				L	REDRAWN	8-15-89	VK	DECIMAL ±					
								METRIC ±					

CH-188(4-78)

RATING AT 12 V.D.C.

ACC CIRCUIT	20 AMPS
IGN. CIRCUIT	20 AMPS
ST. CIRCUIT	20 AMPS

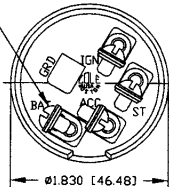
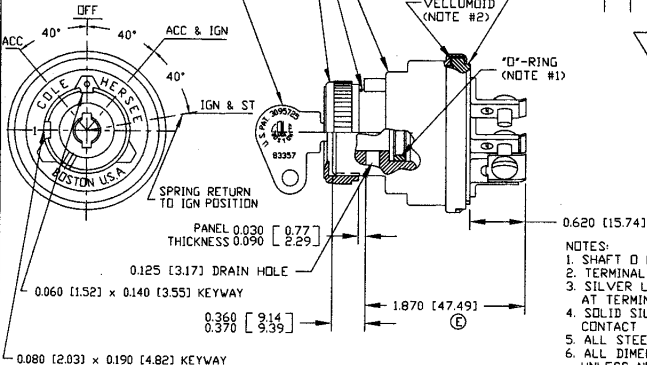
TERMINAL INSULATOR, BROWN

HENCOL KEY (2 KEYS RINGED)

FACE NUT, ALUMINUM

 1-24-UNS-2A THD
 CASE, ZINC DIE CAST
 GASKET,
 VELLUMOID
 (NOTE #2)

 "O"-RING
 (NOTE #1)

 SCREW #8-32 &
 LOCKWASHER, 4 REQ'D


NOTES:

1. SHAFT O RING SEALED TO HOUSING
2. TERMINAL INSULATOR GASKET SEALED
3. SILVER LAMINATED CONTACT SURFACE AT TERMINALS
4. SOLID SILVER RIVETS ON MOVING CONTACT
5. ALL STEEL PARTS PLATED
6. ALL DIMENSIONS REFERENCE ONLY UNLESS NOTED OTHERWISE

Revision Control Record

Rev.	Description of Change	ECN No.	Date
E	FIXED DIMENSION	01438	7/26/01

TOLERANCES Unless otherwise specifically noted, the following are default tolerances:
 * 2-place Decimal Dimension ±.02"
 * 3-place Decimal Dimension ±.005"
 * Angular Dimension ±1.5 Deg.
 * Hole: ±.010 to equivalent English Dimension Tolerance
 *** NOTE: All tolerances are Non-Cumulative. ***

Dimensional Units All dimensions are expressed in inches except those shown in brackets (mm) are expressed in millimeters

RIP or *in Assembled* = Non-Toleranced Reference Dimension, shown for distribution purposes only.

Used On or Ref.: TERM INSUL & SILVER CONTACTS

Scale: 1:1

DO NOT SCALE - General reproduction.

Drawn VK

By:

Checked:

Approved:

Key for Special Characteristics:


Critical Characteristics relating to Safety under Regulatory Compliance



Significant Characteristics relating to Process Control (SPC)



Control Dimension relating to Form - Fit - Function as defined by Cole Hersee Company and/or the Customer

Cole Hersee Co.

20 Old Colony Ave., South Boston, MA, 02127
 Ph: 617-288-2100 Web: www.colehersee.com

Description: 4 POSITION IGNITION & START SWITCH

956-4141

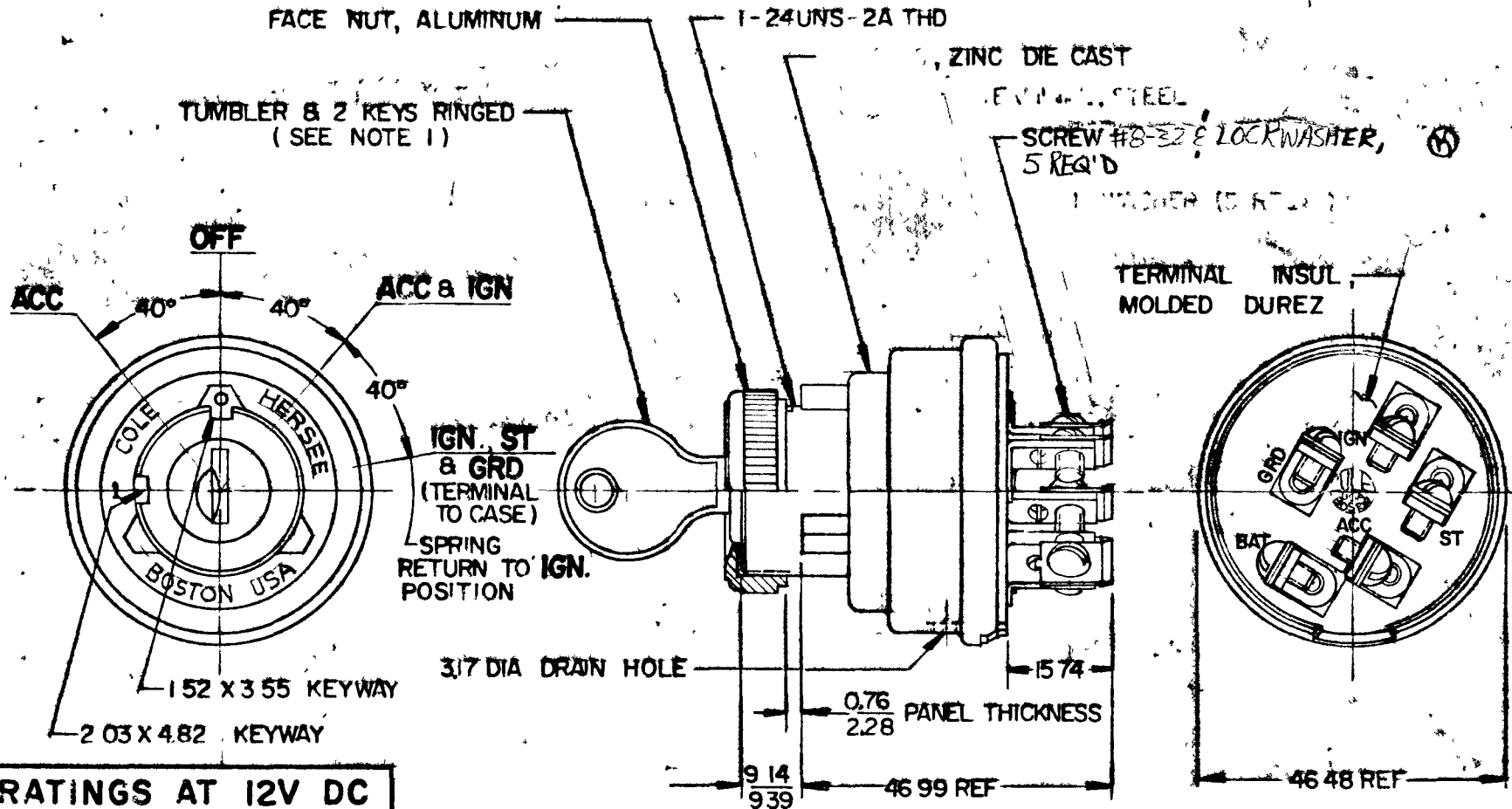
Current Rev.

E

MM	N
0.25	.00
0.76	.030
1.52	.060
2.03	.080
2.28	.090
3.17	.125
3.55	.140
4.82	.190
9.14	.360
9.99	.370
15.74	.620
46.48	1.830
46.99	1.850

APPLICABLE SAE STANDARD OR RECOMMENDED PRACTICE SAE J259

956-4154



RATINGS AT 12V DC

ACC CIRCUIT	10 AMPS
IGN CIRCUIT	10 AMPS
ST CIRCUIT	5 AMPS
GRD CIRCUIT	1 AMP

METRIC

NOTES:

- 1 SHUTTER TYPE SEAL ON LOCK FACE
- 2 ALL STEEL PARTS PLATED WITH GALVANNEAL PLATE

DO NOT SCALE

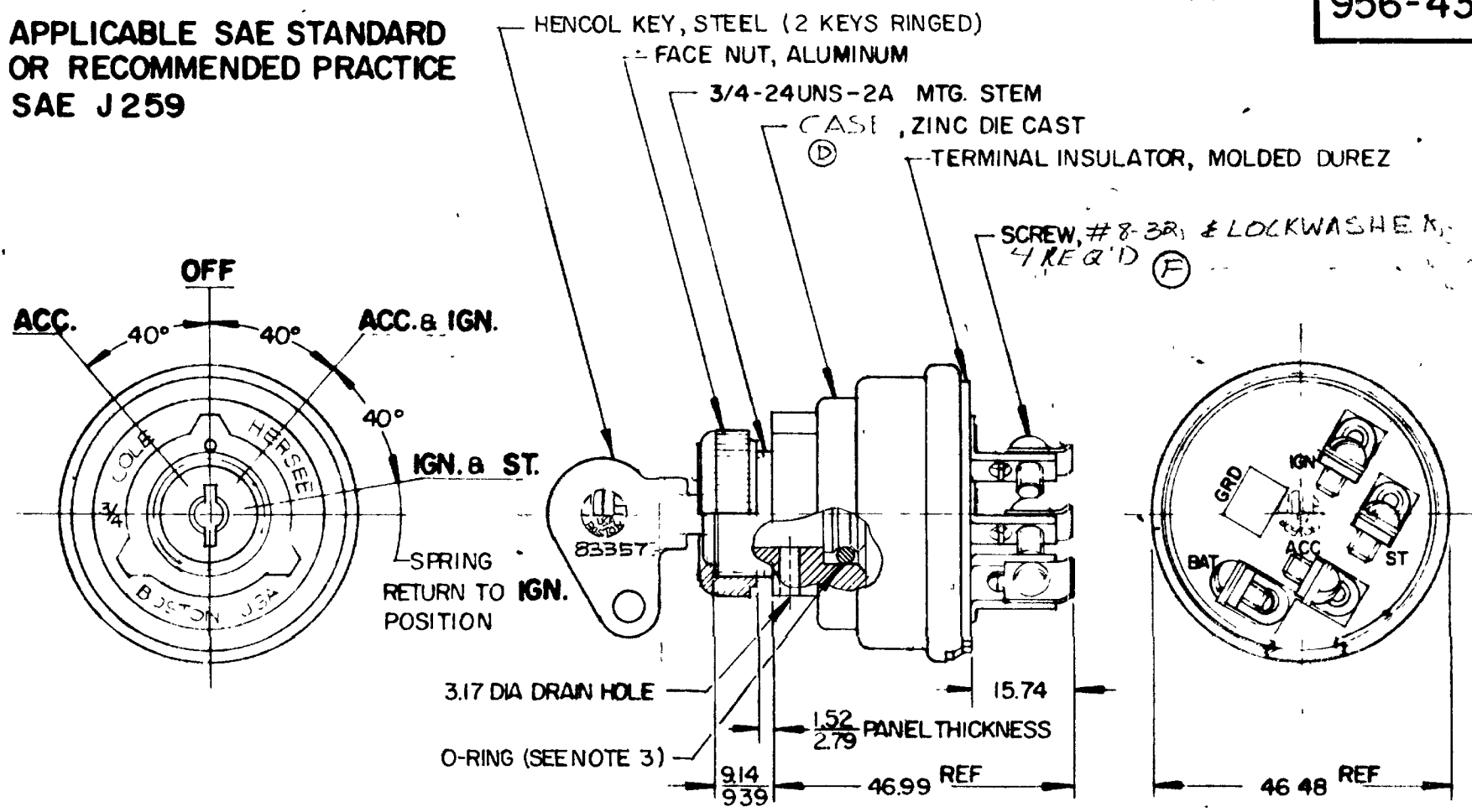
LET	WAS	DATE	BY	LET	WAS	DATE	BY	MATERIAL	DRAWN	CHECKED	APPR'D	SCALE	DATE DRAWN
								—//—	C F	4/13/78		FULL	2-23-67
								FINISH	COLE-HERSEE COMPANY				DATE BLUEPRINT
									BOSTON, MASS 02127, U.S.A				
								TOLERANCES	4- POSITION				956-4154
								FRACTIONAL ±	IGNITION & START SWITCH				
								DECIMAL ±0.25					

SPAULDING CO., INC 21-10961

MM	IN
0.25	.010
1.27	.050
2.54	.100
3.17	.125
6.35	.250
9.52	.375
12.70	.500
15.87	.625
25.40	1.000
38.10	1.500

956-4307

APPLICABLE SAE STANDARD
OR RECOMMENDED PRACTICE
SAE J259



RATINGS AT 12 V.D.C.	
ACC. CIRCUIT	10 AMPS
IGN. "	10 "
ST. "	5 "

METRIC

NOTES:

- 1 TERMINAL INSUL GASKET SEALED
- 2 ALL STEEL PARTS PLATED
- 3 SHAFT O-RING SEALED TO HOUSING.

DO NOT SCALE

LET	WAS	DATE	BY	LET	WAS	DATE	BY	MATERIAL	DRAWN	APPR'D	SCALE	DATE DRAWN
								#	CF		11	12-12-66
				F	ECN 00137	3/1/00	HA	FINISH				DATE BLUEPRINT
				I	CAD OR ZINC / 25234	12/18/92	WJ	#				
				D	HOUSING	8-16-82	PB	TOLERANCES				
				C	REDRAWN	5-21-79	JV	DECIMAL ± .010				
								METRIC ± .25				

CH Cole Hersee Co.
7700 AVENUE SIX - BOSTON, MASS. U.S.A. 02130

4- POSITION
IGNITION & START SWITCH

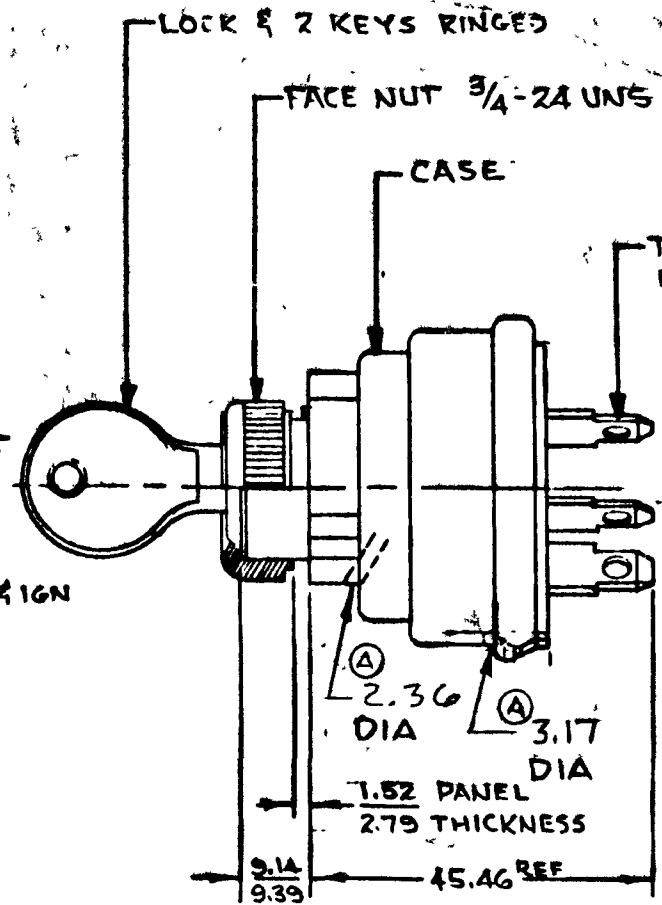
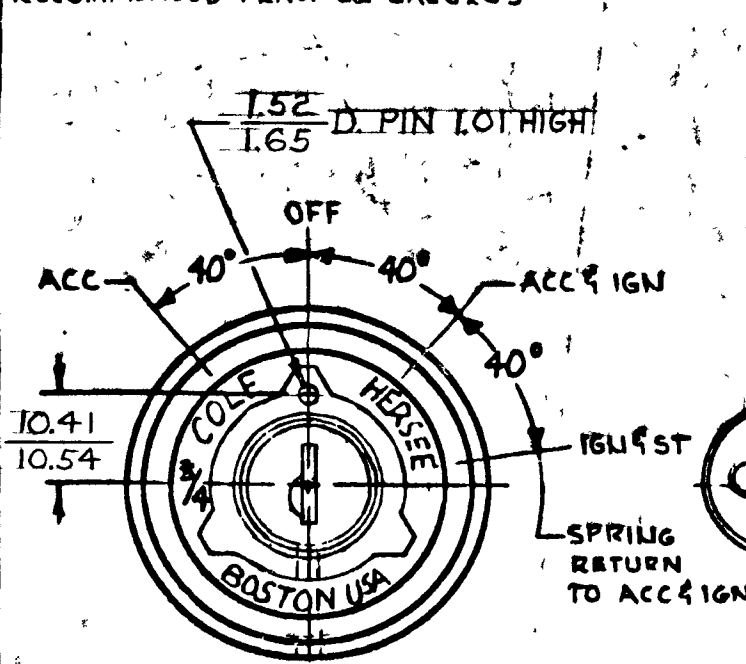
956-4307

CH 188(4 78)

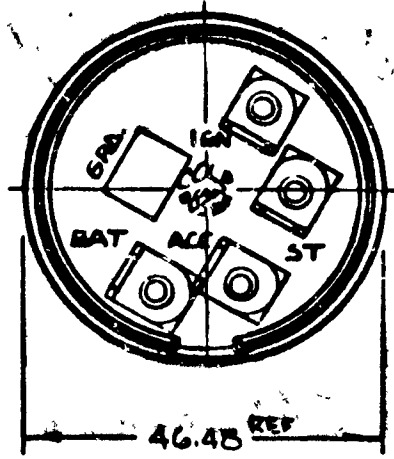
MM	IN
1.01	.040
1.52	.060
1.65	.065
2.79	.110
3.14	.125
3.39	.130
3.70	.145
4.10	.160
4.15	.165
1.750	.069
1.830	.072
.093	
.125	

956-4311

APPLICABLE SAE STANDARD OR
RECOMMENDED PRACTICE SAE J269



TERMINALS SPACED TO ACCEPT
PACKARD CONN. 2962912



EX 20121

ST	5 AMPS
IGN	10 AMPS
ACC	10 AMPS

RATING @ 12V DC

METRIC

- NOTES:
1. SHUTTER SEAL ON LOCK FACE
 2. LOCK O RING SEALED TO CASE
 3. TERM. INSULATOR GASKET SEALED
 - ④ 4. DRAIN HOLES ARE IN LINE 90° FROM & SHOWN

DO NOT SCALE

LET	WAS	DATE	BY	LET	WAS	DATE	BY	MATERIAL	DRAWN	CHECKED	APPROVD.	SCALE	DATE DRAWN
								#	RJF	RFB		1"=1"	6-17-83
								FINISH					DATE BLUEPRINT
									Cole Hersee Co. <small>1000 WEST 10TH AVENUE, DENVER, COLORADO 80202</small>				
				A		ADD'D DIM'S ECN 72701	7-2-83	PS	4 POSITION IGNITION & START SWITCH			956-4311	
						ISSUED	9/2/83	LB	TOLERANCES DECIMAL ±.010 METRIC ±2.54				

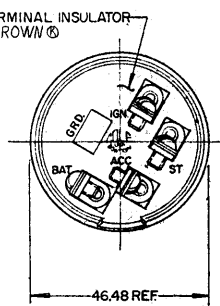
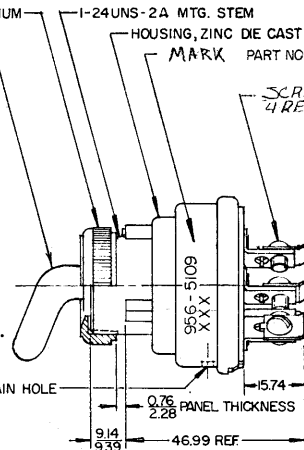
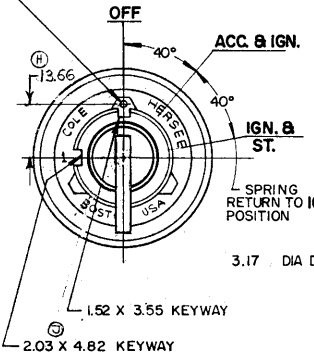
APPLICABLE SAE STANDARD OR RECOMMENDED PRACTICE SAE J259

956-5109

FACE NUT, ALUMINUM
 LEVER, ZINC DIE CAST, CHROME PLT.
 HOUSING, ZINC DIE CAST
 MARK PART NO. & DATE CODE AT RANDOM (N)

① 1.57 DIA. x 1.01 HIGH PIN

SCREW, # 8-32, & LOCKWASHER
 4 REQ'D (M)



- NOTE:
 1. TERMINAL INSULATOR GASKET SEALED
 2. SHOULDER TYPE RIVET CONSTRUCTION
 3. SILVER LAMINATED CONTACT SURFACES
 ④ 4. ALL STEEL PARTS PLATED

METRIC

Confidential Property of Cole Hersey

DO NOT SCALE

LET	WAS	DATE	BY	LET	WAS	DATE	BY	MATERIAL	DRAWN	CHECKED	APPROVED	SCALE	DATE DRAWN
				L	CAD CR ZINC 135034	12/29/70	BJ		RW	1-30-79		1:1	9-16-71
				K	ECN 25189	8/13/72	SH	FINISH					
				J	DELTA NOTE / 2								
N	ECN #00422	6/6/00	MK	H	REVISED / 22								
M	ECN 00137	3/1/00	WH	G	REDRAL								

Downloaded From Oneyac.com

Hersey Co.

TION
 ART SWITCH

956-5109

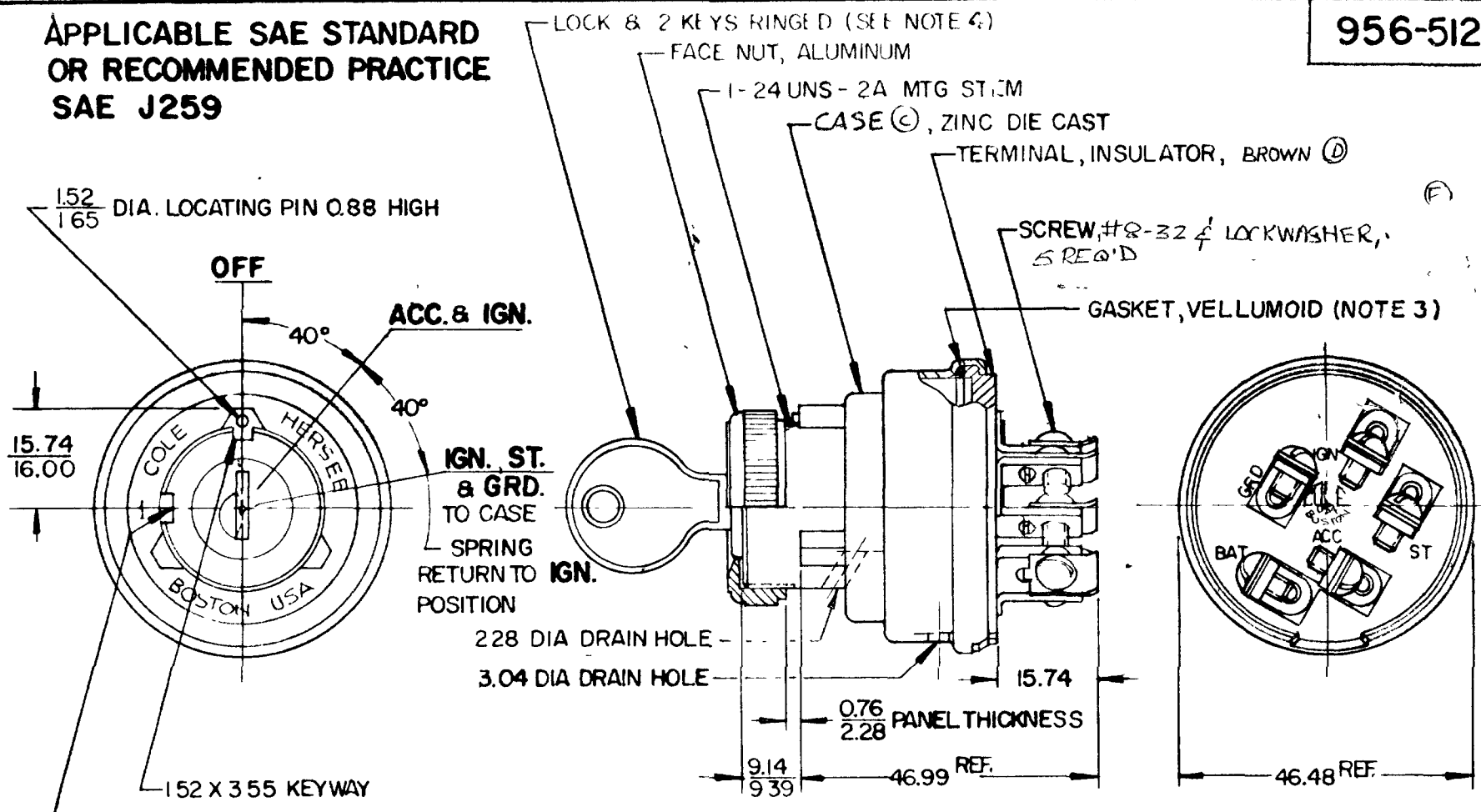
MM.
 0.25
 0.75
 1.01
 1.52
 2.03
 2.28
 3.17
 3.55
 4.82
 9.14
 9.39
 46.48
 46.99
 13.66

11 P.M. 9-28-71
 -X-16003C

MIM	IN
0.25	0.01
0.42	0.017
0.88	0.035
1.52	0.060
1.65	0.065
2.23	0.088
2.28	0.090
3.04	0.120
3.55	0.140
4.82	0.190
9.14	0.360
9.39	0.370
15.74	0.620
16.00	0.630
46.48	1.830
46.99	1.850

**APPLICABLE SAE STANDARD
OR RECOMMENDED PRACTICE
SAE J259**

956-5122



NOTES:

- ①. ALL STEEL PARTS PLATED
- 2. O RING SEAL AT MTG. STEM.
- 3. TERMINAL INSULATOR GASKET SEALED.
- 4. SHUTTER TYPE SEAL ON LOCK FACE.
- 5. COPPER CONTACT SURFACES.

METRIC

DO NOT SCALE

LET	WAS	DATE	BY	LET	WAS	DATE	BY	MATERIAL	DRAWN	CHECKED	APPROV'D	SCALE	BASC 956-5108 EXCEPT, COPPER CON ORING DRAIN, GRD. CRKT	DATE DRAWN 1 - 7 - 75
				F	ICN# 00142	3-11-00	KF		JWH	1-30-79		1:1		DATE BLUEPRINT
				E	CR 1500 ZINC	12-28-90	JH	FINISH	 Cole Hersee Co. <small>1 - OLD COLONY AVENUE SOUTH BOSTON, MA 02107</small>					
				D	ECN 25189	8-13-92	JH							
				C	HOUSING	8-17-82	JH	TOLERANCES FRACTIONAL ± DECIMAL ± .25	3 - POSITION IGNITION & START SWITCH					
				E3	REDRAWN	1-19-79	VK							956-5122

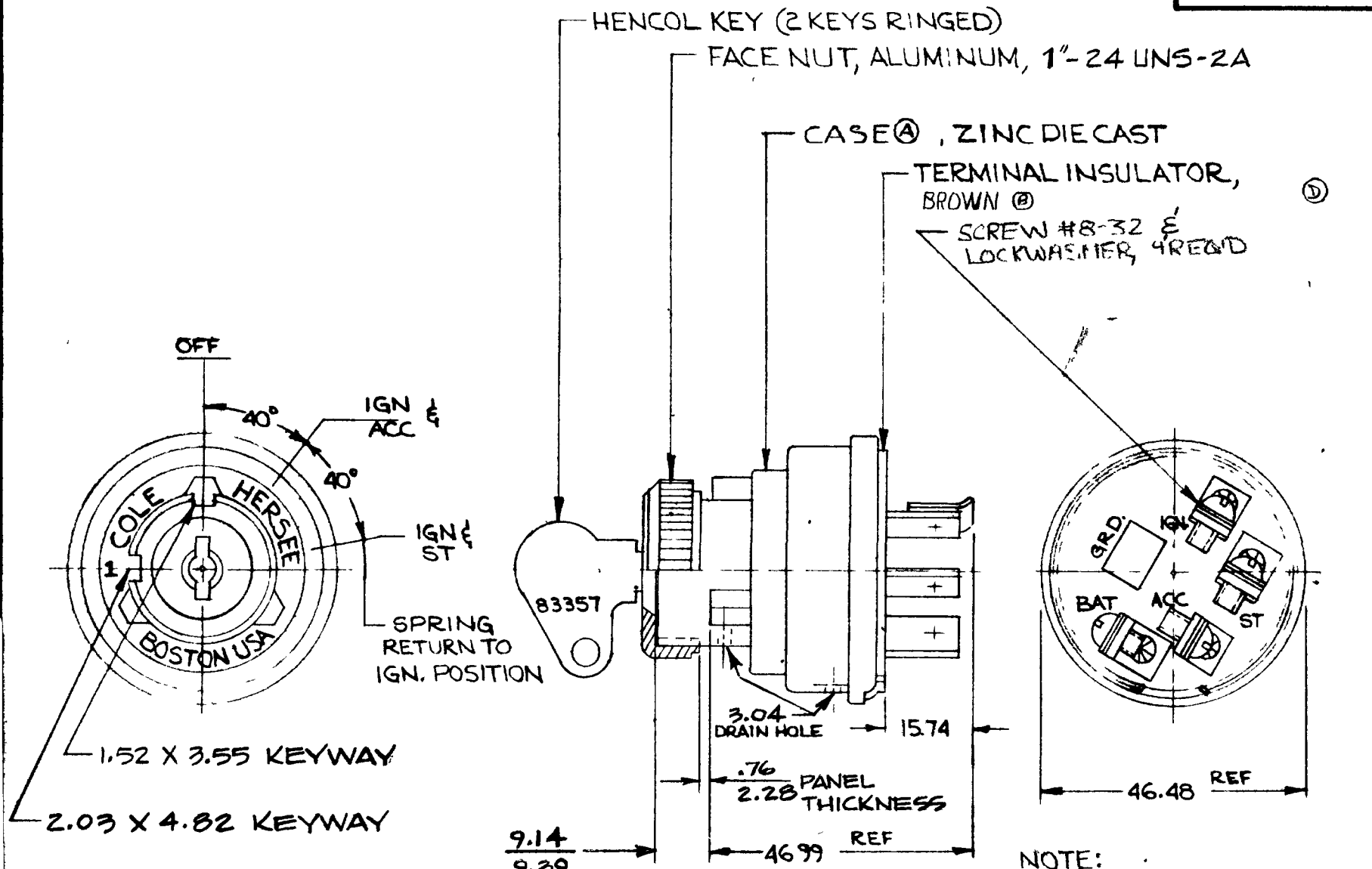
CH 189 (478)

MM	IN.
.25	.010
.70	.030
1.15	.060
2.03	.080
2.28	.090
3.04	.120
3.55	.140
4.82	.190
9.14	.360
9.39	.370
15.74	.620
46.48	1.830
46.99	1.850

APPLICABLE SAE STANDARD OR RECOMMENDED PRACTICE SAE J259

956-5124

COLE-HERSEE CO.
N.P.M.



METRIC

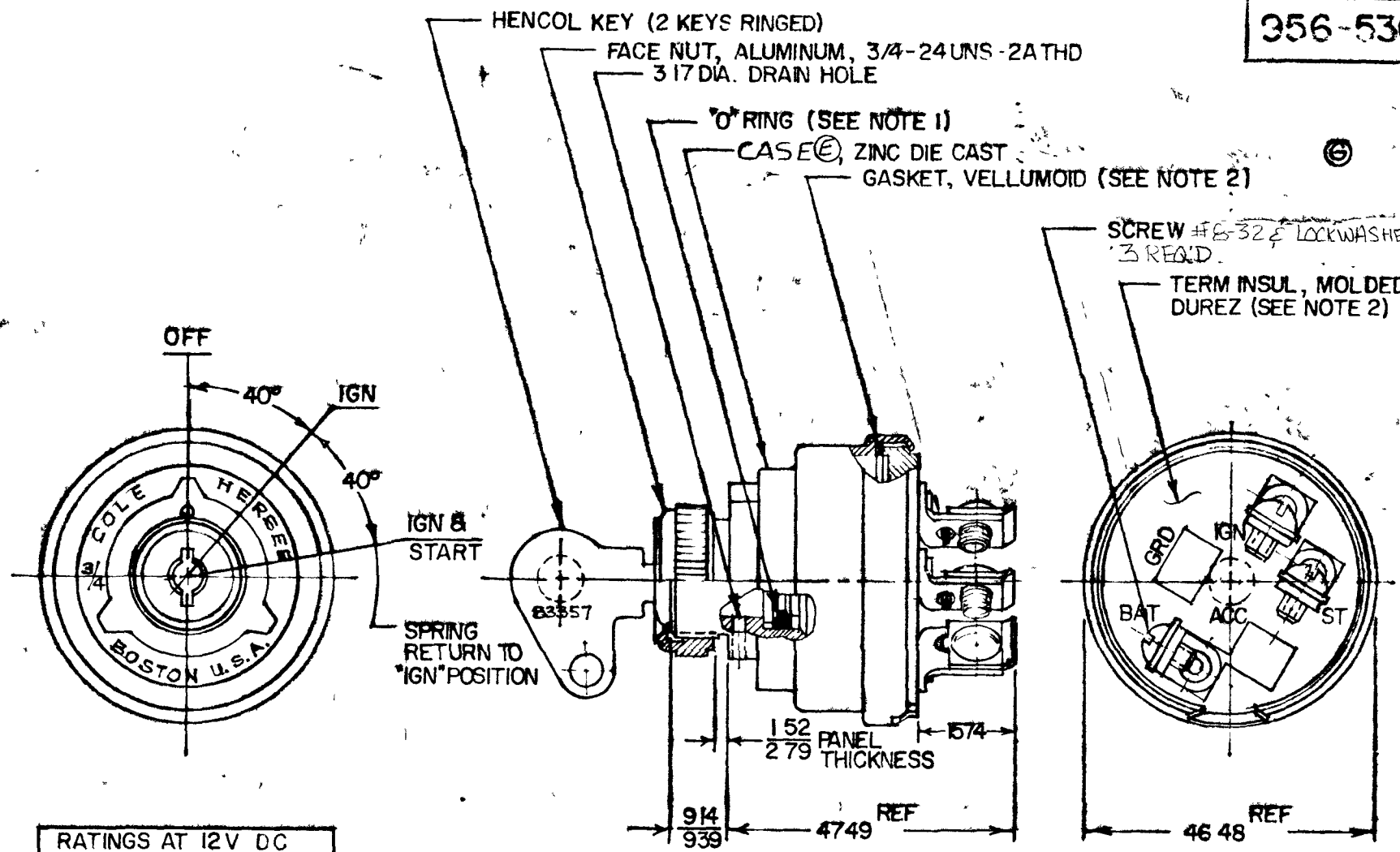
NOTE:
1. O RING SEALED.

2. ALL STEEL PARTS PLATED DO NOT SCALE

LET	WAS	DATE	BY	LET	WAS	DATE	BY	MATERIAL	DRAWN	CHECKED	APPR'D	SCALE	BASIC 956-5115 EXCEPT O RING SEALED	DATE DRAWN
				D	ECN#00138	3/11/75	KF	—	KG	11-5-75		FULL		11-4-75
				C	HOLE ADDED / 05039	12/23/80	LH	FINISH						
				B	ECN 25189	8-19-92	TJH	—						
				A	HOUSING ISSUED	8-17-82	PS	TOLERANCES						
						3-3-77	PS	FRACTIONAL ±						
								DECIMAL ±.25						
COLE-HERSEE COMPANY BOSTON, MASS. 02127, U.S.A.													DATE BLUEPRINT	
IGN. START SWITCH													956-5124	

MM	IN
1.52	.010
2.79	.110
3.14	.360
3.39	.370
5.74	.620
6.48	.830
7.49	1.070
8.17	1.25

356-5307



RATINGS AT 12V DC	
IGN CIRCUIT	10 AMPS
START	5

- NOTE
1. SHAFT O-RING SEALED TO CASE
 2. TERM INSUL GASKET SEALED
 3. ALL STEEL PARTS PLATED 11T W/DIC-IRON, FL DIP OR CAL 17
 4. APPLICABLE SAE STANDARD OR RECOMMENDED PRACTICE SAE J259

METRIC

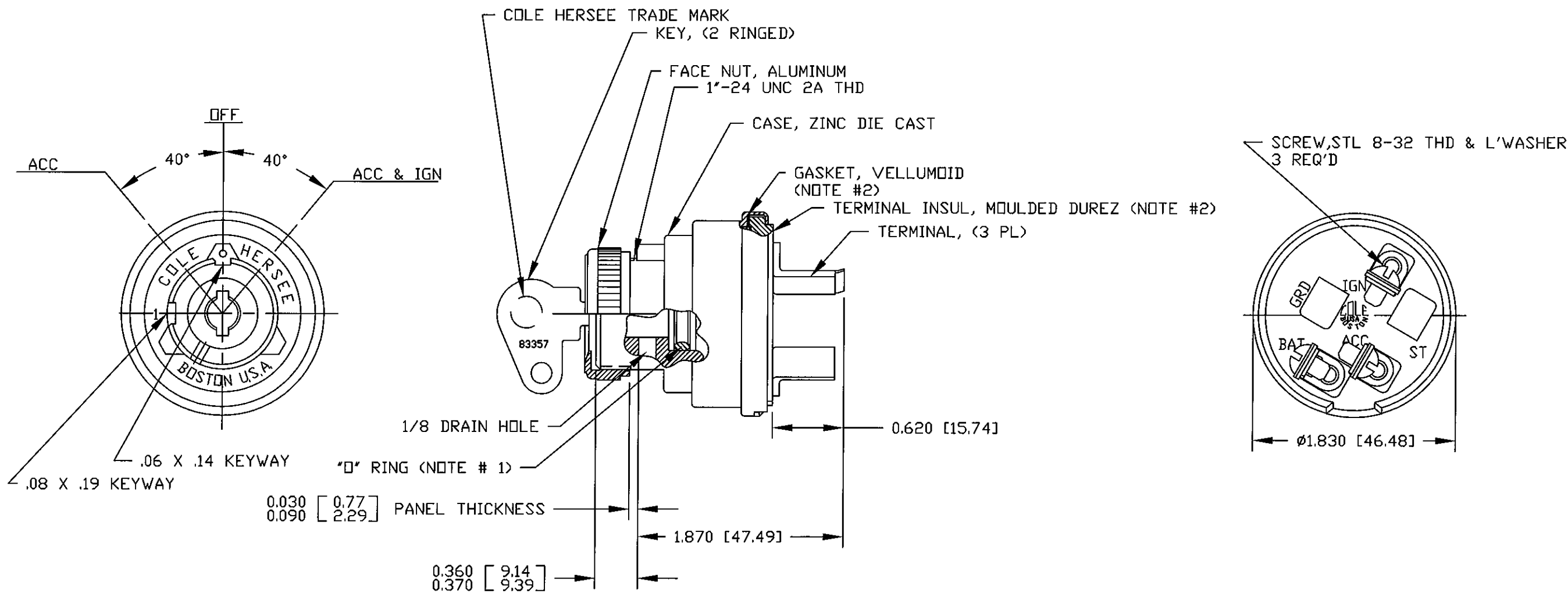
DO NOT SCALE

LET	WAS	DATE	BY	LET	WAS	DATE	BY	MATERIAL	DRAWN	CHECKED	APPRV D	SCALE	DATE DRAWN
								—	CF	11-20-78		1:1	1-10-66
				G	LCN # 60139	3/1/00	KF	FINISH	 Cole Hersee Co. <small>WORLD COLONY AVENUE SOUTH BOSTON MA U.S.A. 02127</small>				DATE BLUEPRINT
				F	CADU ZINC 725239	12/18/92	1,4	—					
				E	HOUSING	8-17-82	1,3	TOLERANCES	3 POS IGNITION & START SW 956-5307				956-5307
				D	REDRAWN	11-8-78	R	FRACTIONAL ± DECIMAL ±.25					

CH-188 (4-78)

Revision Control Record

Rev.	Description of Change	ECN No.	Date
J	PUT ON CAD	08552	10/09/08



- NOTE:**
1. SHAFT "O" RING SEALED TO CASE
 2. TERMINAL INSULATOR GASKET SEALED
 3. ALL STEEL PARTS PLATED
 4. ALL DIMENSION REFERENCE
 5. APPLICABLE SAE STANDARD OR RECOMMENDED PRACTICE SAE J259

RATINGS @ 12V DC	
ACC. CIRCUIT	10 AMPS
IGN.	10 AMPS

Tolerances Unless otherwise specifically noted, the following are default tolerances:
 * 2-place Decimal Dimensions +/- .02"
 * 3-place Decimal Dimensions +/- .005"
 * Angular Dimensions +/- 1.0 Deg.
 * Metric: Refer to equivalent English Dimension Tolerance
 >>> NOTE: All tolerances are Non-Cumulative. <<<

Dimensional Units All dimensions are expressed in inches except those shown in brackets (xxx) are expressed in millimeters

"REF." or an Asterisk (*) = Non-Toleranced Reference Dimension, shown for clarification purposes only.

Used On or Ref.:

PROPRIETARY INFORMATION This Engineering Drawing, and the information contained herein, is proprietary to Cole Hersee Company and may not be disclosed, re-produced, or in any other way transferred or communicated to any other party without the express written consent of an authorized representative of Cole Hersee Company.

DESIGN CONTROL It is the responsibility of the individual using / referencing this drawing to assure that the noted design revision level agrees with the revision level of the Controlled Document (Master Drawing). This is a NON-CONTROLLED DOCUMENT unless otherwise specifically noted.

DO NOT SCALE - Dimensional variation may occur during printing / reproduction.

Scale: **1:1**

Drawn By: **CF**

Date Drawn: **10/06/66**

Special Characteristics:

- CC Critical Characteristic, relating to Safety and/or Regulatory Compliance
- X Significant Characteristic relating to Process Control (SPC)
- KC Control Dimension relating to Form - Fit - Function as defined by Cole Hersee Company and/or the Customer

(Note that the identification of any Characteristics as being "Special" does not alter the requirement that ALL specified dimensions & tolerances must be met.)

Responsible Engineer:

Pg. 1 of 1

Cole Hersee Co.
 20 Old Colony Ave., South Boston, MA, 02127
 Phn: 617-268-2100 Web: www.colehersee.com

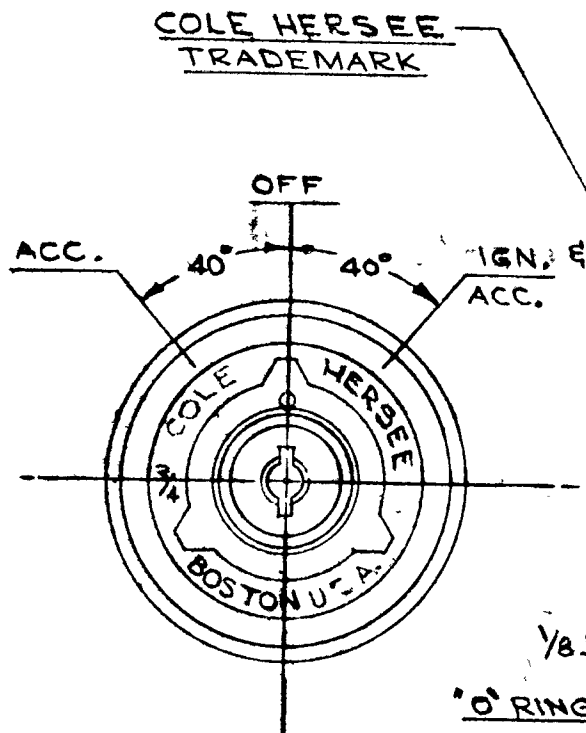
Description:
ACC-IGNITION SW

Drawing / Part No.: **956-6107**

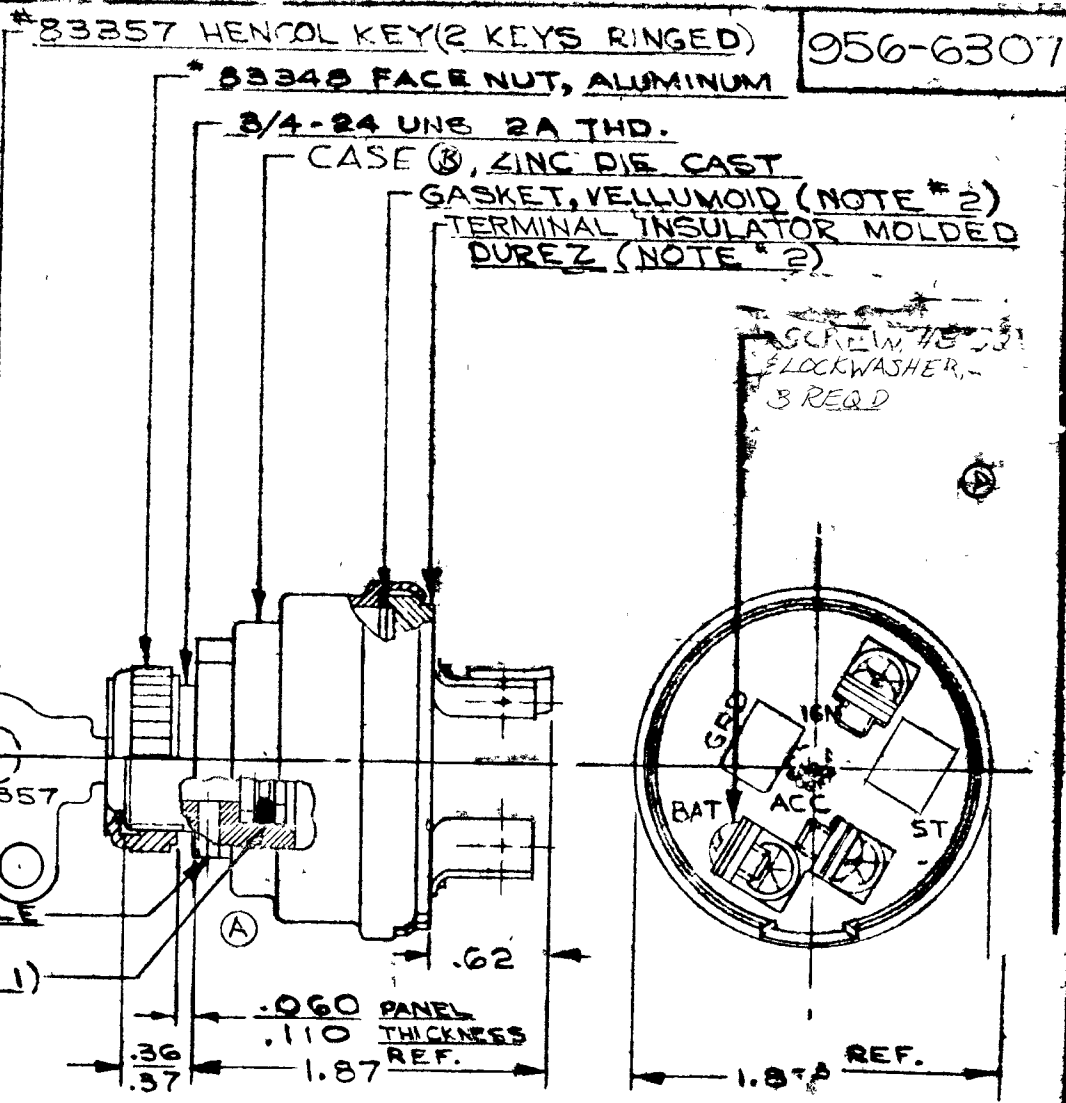
J

COLE-HERSEE CO.

APPLICABLE SAE STANDARD OR RECOMMENDED PRACTICE SAE J259



RATINGS AT 12 V D.C.	
ACC. CIRCUIT	10 AMPS
IGN.	10



- NOTE:
1. SHAFT "O" RING SEALED TO CASE
 2. TERMINAL INSULATOR GASKET SEALED
- © 3 ALL STEEL PARTS PLATED

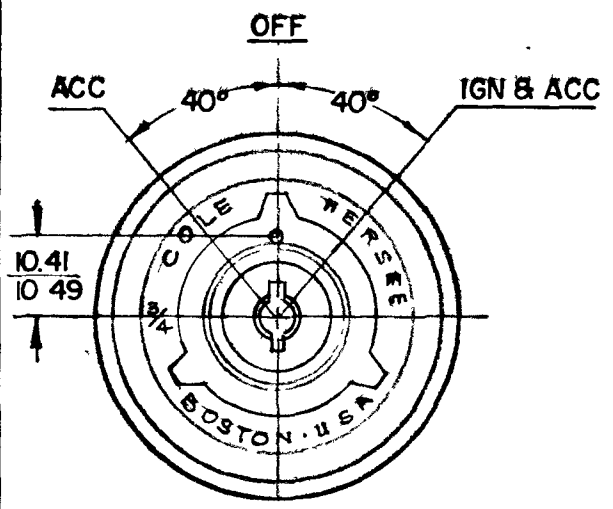
REV	WAS	DATE	BY	LOT	WAS	DATE	BY	MATERIAL	DRAWN	CHECKED	APPROV'D	SCALE	USED ON	DATE DRAWD
									CF	U.M.		FULL		1-31-67
									COLE-HERSEE COMPANY BOSTON 27, MASS., U.S.A.					DATE DRAWD
									ACC-IGNITION SWITCH					PART NO 956-6307

COLE-HERSEE CO.
 NPM 6-6-79
 EX-18452

MM	IN
.25	.010
1.52	.060
2.79	.110
9.14	.360
9.39	.370
15.74	.620
46.48	1.830
47.49	1.870
3.17	.125
1.01	.040
1.65	.065
10.41	.410
16.49	.413

SEQ	DEPT.	OPERATING INSTRUCTIONS	DIE	MACH

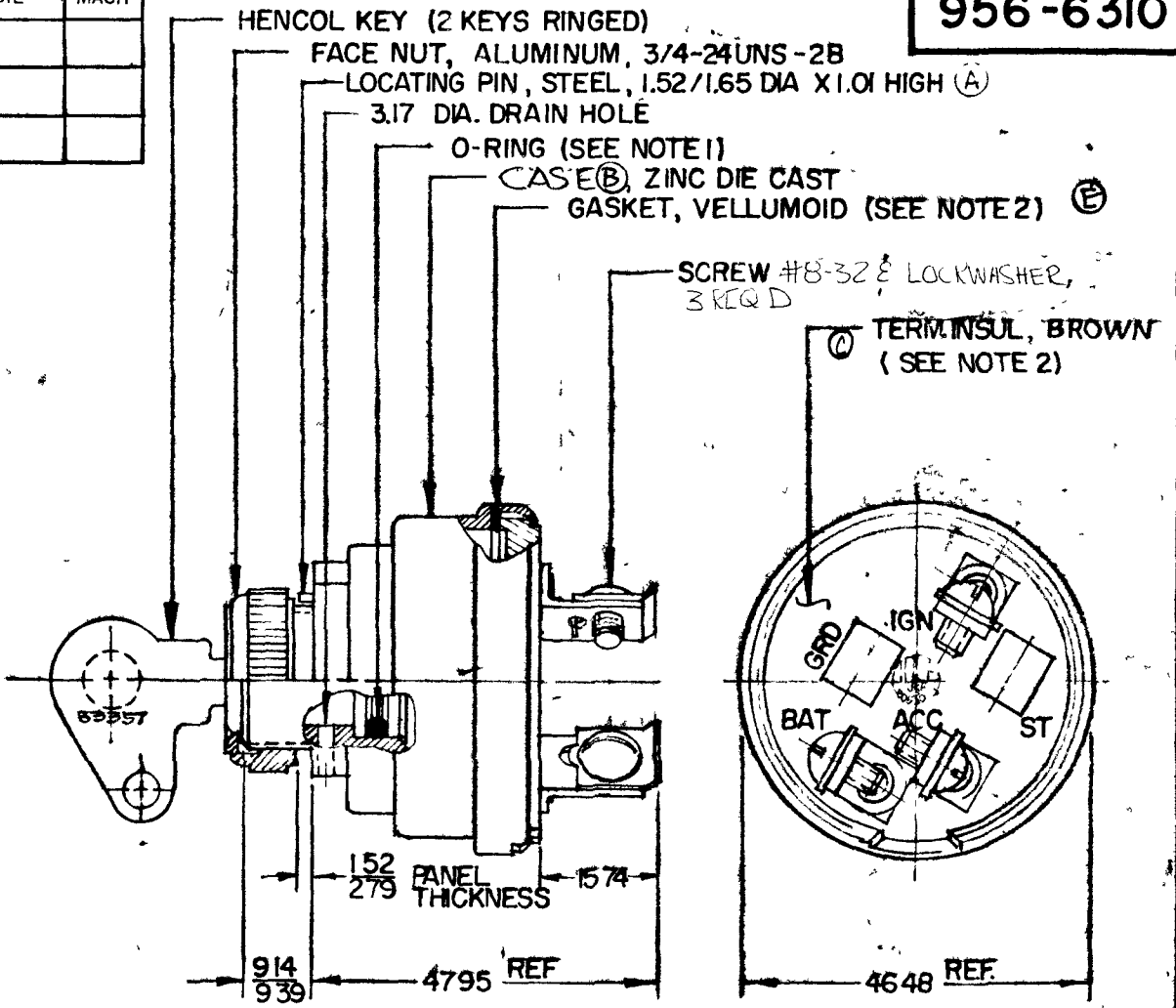
956-6310



RATINGS AT 12 V D C	
ACC. CIRCUIT	30 AMPS
IGN.	10

APPLICABLE SAE STANDARDS OR RECOMMENDED PRACTICE SAE J259

METRIC

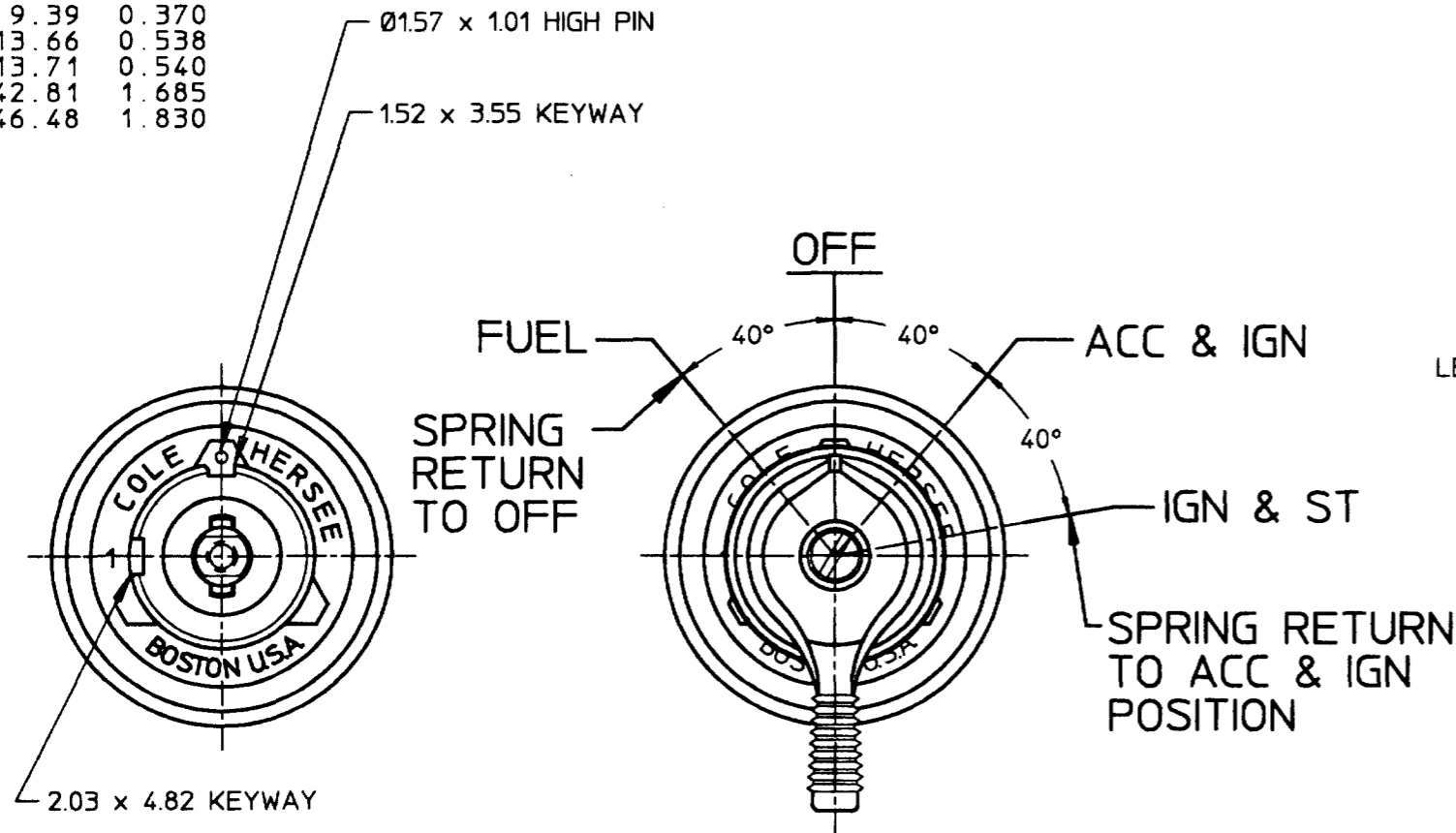


- NOTE:**
1. SHAFT O-RING SEALED TO CASE
 2. TERM INSUL GASKET SEALED
 3. COPPER RIVETS ON MOVABLE CONTACT
 4. ALL STEEL PARTS PLATED

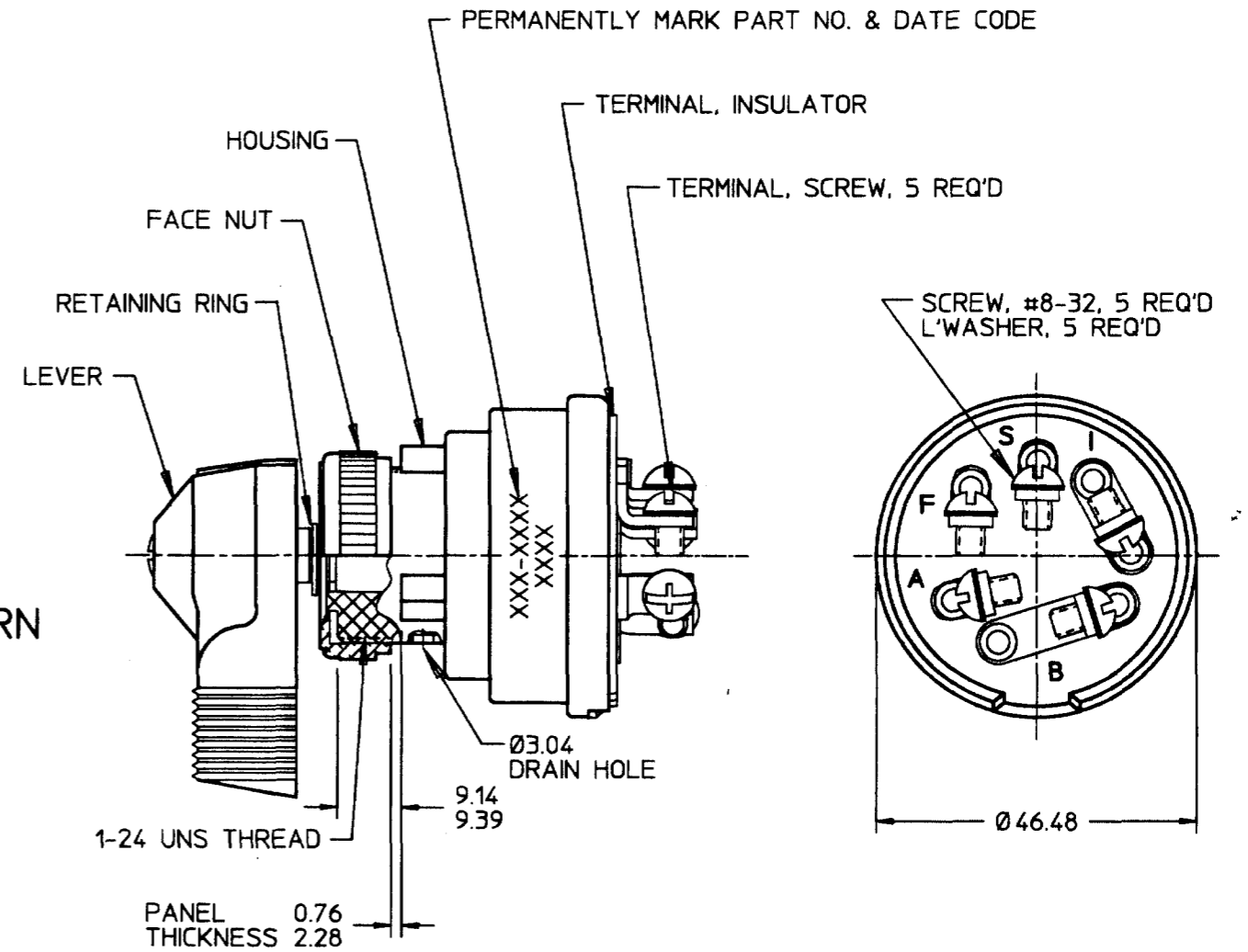
LET	WAS	DATE	BY	LET	WAS	DATE	BY	MATERIAL	DRAWN	CHECKED	APPRV D	SCALE	956-6310 W/ PIN, FIBER TE INSUL & COPPER RIVETS ON CONTACT	DO NOT SCALE
				D	ZINC 126234	12/18/92	TJH	—	RMT	5-23-79		1:1		DATE DRAWN 3-12-79
				C	ECN 25189	8-14-92	TJH	FINISH	COLE-HERSEE COMPANY BOSTON, MASS 02127, U.S.A.					DATE BLUEPRINT
				B	HOUSING	8/1/82	PB	—						
				A	REV 20702	9-12-79	JV	TOLERANCES FRACTIONAL ± DECIMAL ±.25	ACC - IGNITION SWITCH					956-6310
E	ECN #00139	3/1/00	NF	ISSUED	6-1-19	Y								

SPAULDING CO., INC

MM	IN
0.76	0.030
1.01	0.040
1.52	0.059
1.57	0.061
2.03	0.080
2.28	0.090
3.04	0.120
3.55	0.140
4.82	0.190
9.14	0.360
9.39	0.370
13.66	0.538
13.71	0.540
42.81	1.685
46.48	1.830



FRONT VIEW SHOWN W/O LEVER AND FACE NUT



- NOTES:
1. ALL STEEL PARTS PLATED
 2. ALL DIMENSIONS ARE REFERENCE ONLY UNLESS OTHERWISE SPECIFIED
 3. SHAFT O-RING SEALED TO CASE
 4. TERMINAL INSULATOR GASKET SEALED
 5. APPLICABLE SAE STANDARD OR RECOMMENDED PRACTICE SAE J259

DO NOT SCALE

RATING AT 12 VDC		LEGEND	
ACCESSORY	10 AMP	BATTERY	B
IGNITION	10 AMP	ACCESSORY	A
START	5 AMP	IGNITION	I
FUEL	10 AMP	START	S
		FUEL	F

METRIC

LET.	WAS	DATE	BY	LET.	WAS	DATE	BY	MATERIAL	DRAWN	CHK	APVD	SCALE	DATE DRAWN
								N/A	JMP	4	N/A	1:1	11/24/97
								FINISH	Cole Hersee Co. 20 OLD COLONY AVENUE, BOSTON, MA., U.S.A., 02127				DATE BLUEPRINTED
								N/A					SW, IGN & START, 4 POS
				A	ECN 00521	06/28/00	DPS	TOLERANCES DECIMAL ± N/A ANGLE ± N/A					

单击下面可查看定价，库存，交付和生命周期等信息

[>>Littelfuse\(美国力特\)](#)