



MICRO2™ Blade Fuses



MICRO2® Shunt

## MICRO2™ Blade Fuses Rated 32V

The MICRO2™ Fuse is the new standard for vehicle circuit protection. Its sub-miniature design meets the need for more circuits to be protected while utilizing less space and its ability to cope with high temperatures in adverse environments makes the MICRO2™ Fuse of recommended choice for protection. Black ampere stamps are used on the 20A & 25A / light colored housings to improve contrast for vision system inspection.

### Specifications

	MICRO2 (Silver Plated)	MICRO2 (Tin Plated)
Voltage Rating:	32 VDC	32 VDC
Interrupting Ratings:	1000A @ 32 VDC	1000A @ 32 VDC
*Recommended Environmental Temperature:	-40°C to +125°C	-40°C to +125°C
Terminals Material:	Silver plated zinc alloy	Tin plated zinc alloy
Housing Material:	PA66 (U.L. 94 Flammability rating – V2)	PA66 (U.L. 94 Flammability rating – V2)
Net Weight Per Fuse:	0.53±5% gr	0.53±5% gr
Complies with:	SAE 2741, ISO 8820-12:2020	

\*Tin plating's temperature limit is ≈130°C. Silver plating allows up to 150°C at the terminal interface.

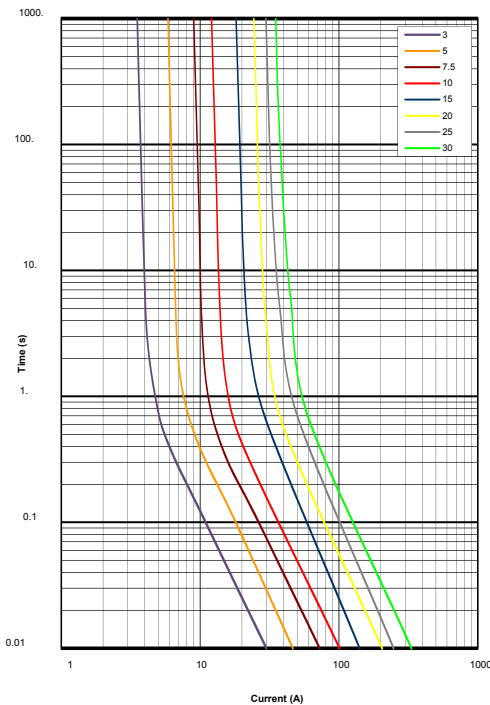


### Ordering Information

### Time-Current Characteristics

Part Number	Rating	Package Size	% of Rating	Opening Time Min / Max (s)
MICRO2 (Silver Plated)			110	360,000 / ∞
0327xxx.YX2S	3-30 & SHUNT	4000	135	0.75 / 120
			160	0.3 / 50
			200	0.15 / 5
0327xxx.UXS	3-30	500	350	0.04 / 0.5
0327xxx.LXS	3-30	50	600	0.02 / 0.1
MICRO2 (Tin Plated)				
0327xxx.YX2T	5-30	4000		

### Time-Current Characteristic Curves



### Ratings

Part Number	Current Rating (A)	Housing Material Color	Test Cable Size (mm <sup>2</sup> )	Typ. Voltage Drop (mV)	Typ. Cold Resistance (mΩ)	Typ. I <sup>2</sup> t (A <sup>2</sup> s)
0327003_	3 (*)		0.35	113	31.7	9
0327005_	5		0.5	116	17.4	17
032707.5_	7.5		0.75	106	10.8	47
0327010_	10		1	102	7.7	90
0327015_	15		1.5	94	4.9	190
0327020_	20		2.5	91	3.5	400
0327025_	25		2.5	90	2.6	580
0327030_	30		4	88	2.1	1,000
0327900_	SHUNT		-	-	-	-

\* 3 A rating is available only as Silver Plated version

The typical I<sup>2</sup>t is an average value calculated from the breaking capacity tests by using the melting time before the arcing occurs.

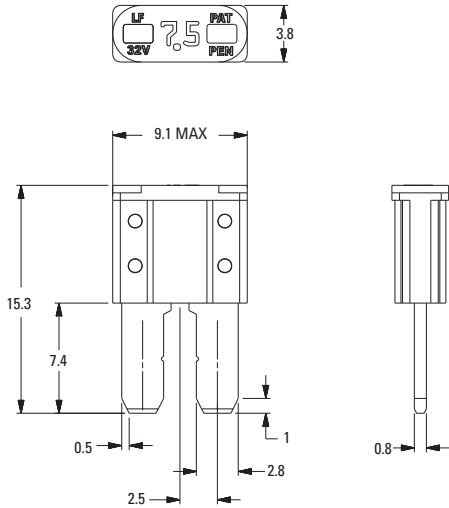
REV11042021

Littelfuse® products are not designed for, and shall not be used for, any purpose (including, without limitation, automotive, military, aerospace, medical, life-saving, life-sustaining or nuclear facility applications, devices intended for surgical implant into the body, or any other application in which the failure or lack of desired operation of the product may result in personal injury, death, or property damage) other than those expressly set forth in applicable Littelfuse® product documentation. Warranties granted by Littelfuse® shall be deemed void for products used for any purpose not expressly set forth in applicable Littelfuse® documentation. Littelfuse® shall not be liable for any claims or damages arising out of products used in applications not expressly intended by Littelfuse® as set forth in applicable Littelfuse® documentation. The sale and use of Littelfuse® products is subject to Littelfuse Terms and Conditions of Sale, unless otherwise agreed by Littelfuse®.

## MICRO2™ Blade Fuses Rated 32V

### Dimensions

Dimensions in mm for reference only.  
See outline drawing for dimensions and tolerances.



### Temperature Table

	max. allowed current load [A] at ambient temperature (typical derating)						
	-40°C	0°C	20°C	65°C	85°C	110°C	125°C
<b>3A</b>	3	3	3	3	2	2	2
<b>5A</b>	5	5	5	4	4	3	3
<b>7.5A</b>	7.5	7.5	7	6	5	5	4
<b>10A</b>	10	10	10	8	7	6	5
<b>15A</b>	15	15	14	12	10	9	8
<b>20A</b>	20	20	18	15	14	12	10
<b>25A</b>	25	23	22	18	17	14	12
<b>30A</b>	30	27	26	22	20	17	14

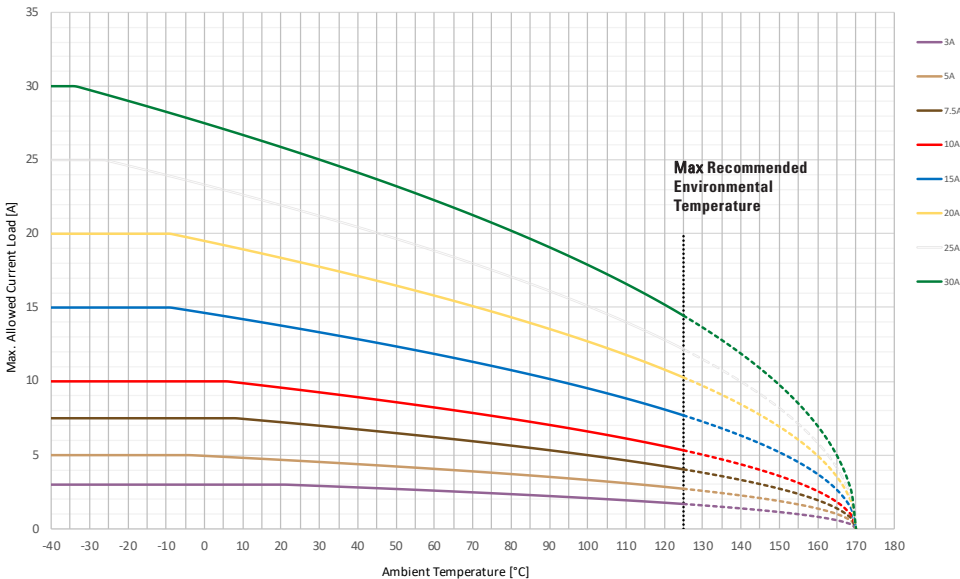
MICRO2 SHUNT Maximum Continuous Load: 20A.

### Typical Derating Of Fuse Melting Element

Temperature Security Margin is 20%

Wire Cross Section And Fixture Test Set Up Refer To ISO 8820-12

Please Contact Littelfuse® For Details Regarding Derating Test Set Up



Derating curves may change depending on the final condition of the application (terminals characteristics, wire size exc.). Please ask Littelfuse® for more information.

REV11042021

Littelfuse® products are not designed for, and shall not be used for, any purpose (including, without limitation, automotive, military, aerospace, medical, life-saving, life-sustaining or nuclear facility applications, devices intended for surgical implant into the body, or any other application in which the failure or lack of desired operation of the product may result in personal injury, death, or property damage) other than those expressly set forth in applicable Littelfuse® product documentation. Warranties granted by Littelfuse® shall be deemed void for products used for any purpose not expressly set forth in applicable Littelfuse® documentation. Littelfuse® shall not be liable for any claims or damages arising out of products used in applications not expressly intended by Littelfuse® as set forth in applicable Littelfuse® documentation. The sale and use of Littelfuse® products is subject to Littelfuse Terms and Conditions of Sale, unless otherwise agreed by Littelfuse®.

单击下面可查看定价，库存，交付和生命周期等信息

[>>Littelfuse\(美国力特\)](#)