

PC-102 SERIES

Dual Seal-Leak Detector or Seal-Leak & Over-Temperature Detector



Description

The PC-102 is a dual-channel switch that provides dual protection against seal failures and over-temperature in submersible pumping applications.

Both units have two form-C isolated output relays and two LEDs, which illuminate when each associated output relay is energized.

The sensitivity adjustment (4.7k-100kOhms) allows you to define the input impedance at which the output relays will change state. The sensitivity for the over-temperature detector can be set to 4k Ohms with use of the DIP switches.

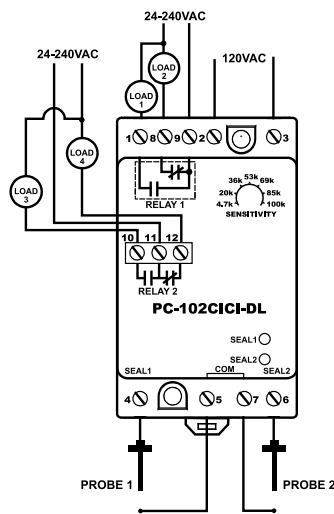
This unit may not be compatible with Flygt pumps.

Features & Benefits

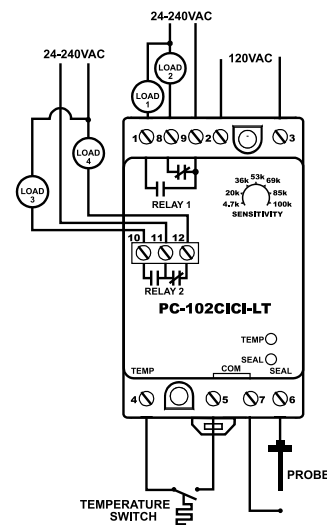
FEATURES	BENEFITS
Finger-safe terminals	Meets IEC 61000 safety requirements
Compact design for DIN rail or surface mount	Allows flexibility in panel installation
LED Status Indicator	Visual indication of relay engagement
Two input channels	Flexibility for pump-up/pump-down or two-channel switch applications

Wiring Diagram

PC-102CICI-DL



PC-102CICI-LT



Specifications

Input Characteristics

Frequency 50/60Hz

Functional Characteristics

Probe Sense Voltage 5vdc pulsed

Sensitivity 4.7k-100kΩ

Sensitivity (for temp) Selectable 4kΩ with DIP switches

Input Logic Direct or inverted

Debounce Time Delay 0.5 or 2 seconds

Output Characteristics

Relay Output Rating
(2 Form C isolated)

Pilot Duty 180VA @ 120VAC, C150

General Purpose 5A @ 240VAC

General Characteristics

Temperature Range -20° to 55°C (-4° to 131°F)

Maximum Input Power 2 W

Depluggable Connector Phoenix Contact-Series MSTB plugs

Output Relay

Status Indicators LEDs

Terminal Torque 4.5 in.-lbs.

Wire range 12-20 AWG

Standards Passed

Electrostatic Discharge (ESD) IEC 61000-4-2, Level 3, 6kV contact, 8kV air.

Radio Frequency Immunity (RFI) IEC 61000-4-3, Level 3, 10V/m

Fast Transients IEC 61000-4-4, Level 3, 4kV input power
2kV inputs/outputs

Safety Marks

UL UL508 (File #E68520)

Dimensions **H** 88.9 mm (3.5"); **W** 52.93 mm (2.08");

D 59.69 mm (2.35")

Weight 0.9 lb. (14.4 oz., 408.23 g)

Mounting Method 35mm DIN rail or Surface Mount
(#6 or #8 screws)

Ordering Information

MODEL	LINE VOLTAGE	DESCRIPTION
PC-102CICI-DL	120VAC nominal	Dual seal-leak detector uses inputs to sense seal failures and energize the output relay. Input logic direct or inverted is DIP switch selectable
PC-102CICI-LT	120VAC nominal	Seal-leak and over-temperature detector uses one input to sense seal failures and the temperature input to detect motor overheating. Configurable to suit various probes. Seal input logic direct or inverted, plus over-temperature trip reset automatic or manual, is DIP switch selectable

单击下面可查看定价，库存，交付和生命周期等信息

[>>Littelfuse\(美国力特\)](#)