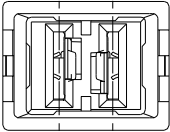
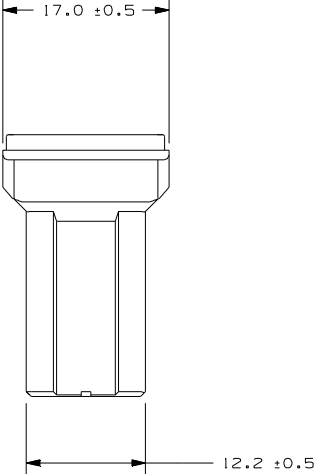
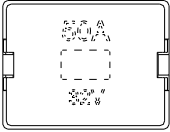
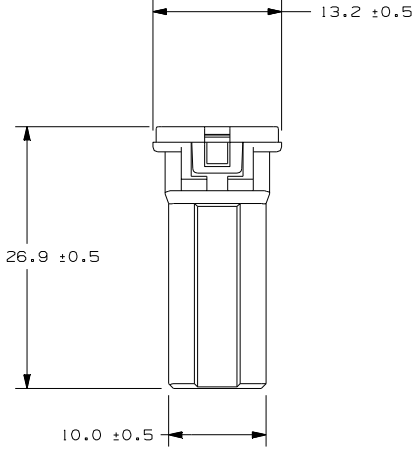


PART NUMBER	CURRENT RATING (A)	BODY COLOR	RATED VOLTAGE
0293820.MXJ	20	LIGHT BLUE	32V
0293830.MXJ	30	PINK	
0293840.MXJ	40	GREEN	
0293850.MXJ	50	RED	
0293860.MXJ	60	YELLOW	
0293870.MXJ	70	BROWN	
0293880.MXJ	80	BLACK	



% OF RATED CURRENT	OPENING TIME	
	MIN	MAX
110%	14,400 SEC.	-
200%	5 SEC.	100 SEC.
350%	0.2 SEC.	7 SEC.
600%	0.04 SEC.	1 SEC.

METRIC

NO	COMPONENT NO	DESCRIPTION	QTY/M	U/M
BILL OF MATERIAL				
MATERIAL SPEC				

LTR	DATE	REVISION	CHK	APD
A	03/29/10	SA201-RELEASE GMB		
B	05/25/10	SA296-RELEASE GMB 40A 30A &		

COPIES TO	FINISH	SCALE	DATE	DATE	DATE	FINISH GOOD WT	GRAMS/PIECE
1 9 18		2:1	03/29/10				
2 10 19							
3 12 20							
4 13 21	DRW GMB						
5 14 23	CHK						
6 15 33							
7 16 43	APPD						
8 17 53							

TOLERANCES UNLESS OTHERWISE SPECIFIED (REF. ISO 2768-MK)	DIMENSION	0.5 - 1.5	1.5 - 3	3 - 6	6 - 30	30 - 120	120 - 400
TOLERANCE		±0.1	±0.1	±0.2	±0.3	±0.5	±0.5
3RD ANGLE PROJECTION							

TITLE	REVISION	DRWG. NO.	OUTLINE
SLOW BLOW FUSE AF TYPE	B	OL-0293800.MXJ	

单击下面可查看定价，库存，交付和生命周期等信息

[>>Littelfuse\(美国力特\)](#)