

**Blade Fuse Holders - FLR PCB Fuse Holder for ATO® Style Blade Fuse rated 58V**

RoHS



**Specifications**

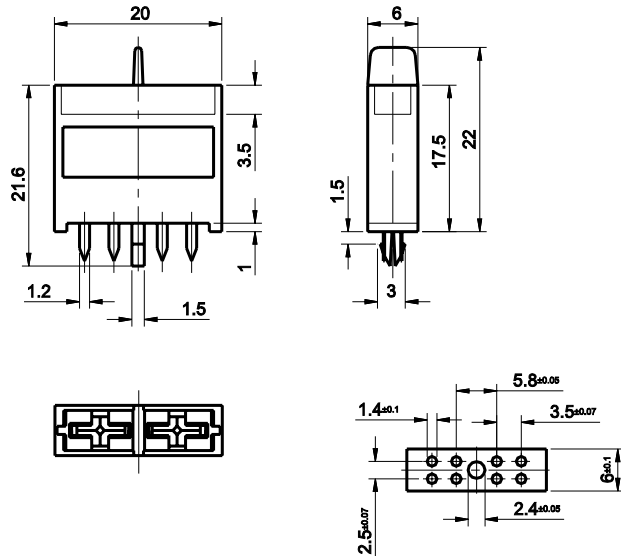
- Housing:** Out of thermoplastic (UL 94-V0, heat-resistant)
- Connections:** Leaf spring connector systems, soldering terminals (4 pins each), copper alloy, tinned
- Color:** Black
- Packaging:**

Series	Pack Size
178.4265.xxx2	500

PCB Fuse Holder for 42V PowerNet with coding for TAC fuses-links. For through hole soldering. Rated voltage 58V.

PCB-Sicherungshalter für 42-V-PowerNet, mit Kodierung für TAC-Sicherungen. Durchlötmontage, Nennspannung 58V.

**Dimensions in mm / Maße in mm**



Fuse Holders  
PCB

Part Number Artikel-Nr.	Description Beschreibung	Contact Temperature Kontakttemperatur
178.4265.0002	Complete	max. 130°C

Corresponding fuse links see Section "Blade Fuses."

单击下面可查看定价，库存，交付和生命周期等信息

[>>Littelfuse\(美国力特\)](#)