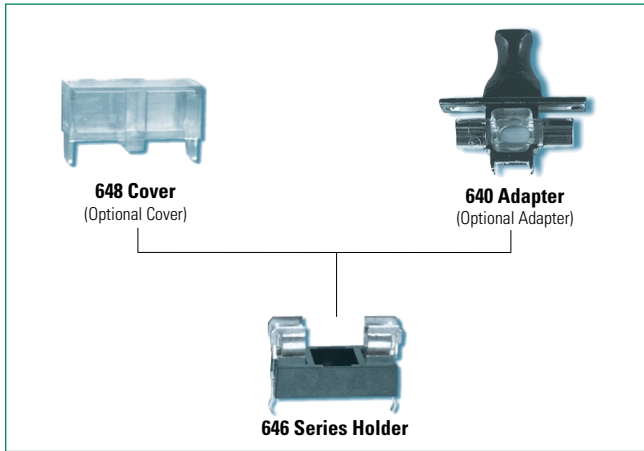


646 Series Molded Base Fuse Block For 5x20mm Fuses

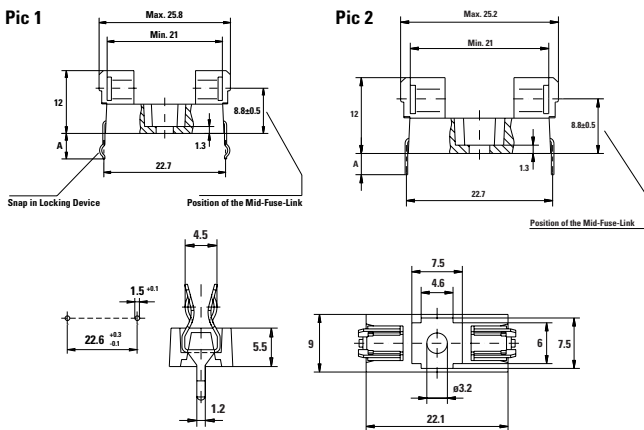


Product Characteristics

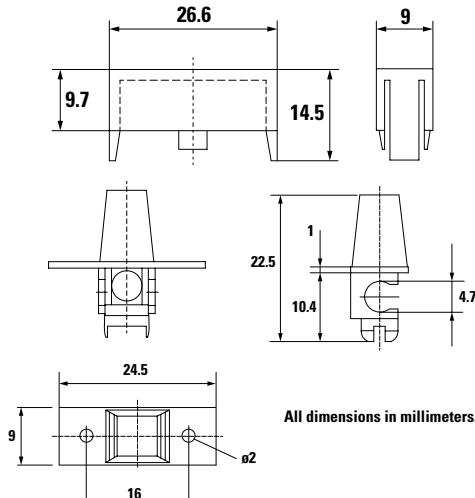
Compatible Fuse Sizes	For 5x20mm Fuses
Materials	Holder: Black Thermoplastic, UL94 V-0 Polyamide PA 6.6
	Cover: Transparent Thermoplastic, UL94 V-0, Polycarbonate PC
	Adapter: Polyester PBT, UL94 V-0
	Metal Parts: Tin plated Copper alloy
Electrical Data (23°C)	Rated Voltage: 250V
	Max. Current/Power: 6.3A/2.5W 5A/1W (with No. 648) 6.3A/1.6W (with No. 640)
Mounting	Solder pins 0.5mmx1.2mm Ø 3mm screw hole may be used optionally
Minimum Cross Section	Conducting path - 0.2mm ²
Unit Weight	1.6g (Holder), 1.0g (Cover), 1.0g (Adapter)

Note: If used with cover, refer to [Fuseology](#) for information on proper fuse block re-rating.

Dimensions



Recommended Hole Pattern



Note: 1.00 means the number one with two decimal places. 1,000 means the number one thousand. Contact Littelfuse for an auto-insertable fuse, holder and adapter assembly.

Ordering Information

Ordering PN	Description	Pic	Meas. "A"	For PCB-Thickness
64600001003	Fuse Block	1	5mm	3mm
64600001223	Fuse Block	1	3.2mm	1.5mm
64600001233	Fuse Block	2	3.3mm	1.5mm

Ordering PN	Description	Fuse PN	Block PN
64612007113	Fuse & Block Assy.	0215002.MXP	6460001233
64612007123	Fuse & Block Assy.	0219002.MXAP	
64614007143	Fuse & Block Assy.	0218004.MXP	

Ordering PN	Description
64000001003	Adapter - Black
64000001403	Adapter - Brown
64000001503	Adapter - White
64000001603	Adapter - Yellow
64000001703	Adapter - Green
64000001903	Adapter - Blue
64800001009	Clear Cover

Additional Information



Datasheet



Resources



Samples

单击下面可查看定价，库存，交付和生命周期等信息

[>>Littelfuse\(美国力特\)](#)