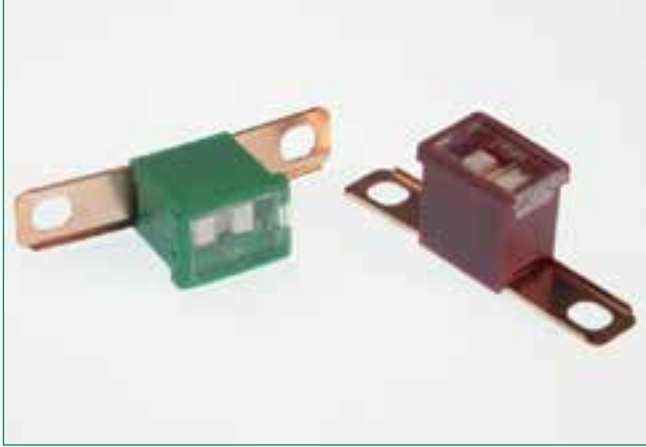


AUTO LINK PAL FUSES - 295

RoHS



Description

PAL fuses are commonly found on many Japanese and domestic built vehicles.

Specifications

Voltage Rating: 32 VDC
 Current Cycling: 24°C
 The fuses satisfy the performance requirements after 50% of the rated current is applied for 10,000 cycles. Each cycle consists of an interrupted current with the pattern of 5 minutes ON and 10 minutes OFF.
 Operating Temperature Range: -40°C to +125°C

Complies with JASO 0612

Ordering Information

Part Number	Package Size
0295xxx.H	100
0295xxx.U	500
0295xxx.MXJ	1000

Time-Current Characteristics

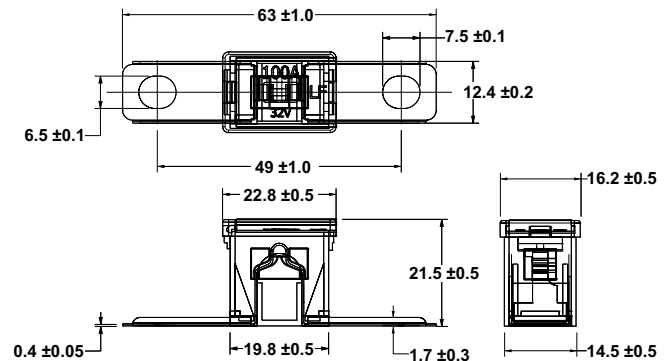
% of Rating	Opening Time Min / Max (s)
110	14,400 s
200	5 s / 100 s
350	0.2s / 7 s
600	0.040 s / 1 s

Ratings

Part Number	Current Rating (A)	Body Color
0295020._	20	LIGHT BLUE
0295030._	30	PINK
0295040._	40	GREEN
0295050._	50	RED
0295060._	60	YELLOW
0295070._	70	BROWN
0295080._	80	BLACK
0295100._	100	BLUE
0295120._	120	WHITE
0295140._	140	REDDISH BROWN

Dimensions

Dimensions in mm



单击下面可查看定价，库存，交付和生命周期等信息

[>>Littelfuse\(美国力特\)](#)