

INLINE MAXI® BLADE STYLE FUSE HOLDER

For MAXI® Style Blade Fuses



Description

Supplied with two 5" leads - 6 gauge wire for up to 60A MAXI®/FK3 Fuse applications, this In-line Fuse Holder also provides a protective cover for harsh under-the-hood environments. Mounting hole also permits easy bulkhead installation.

Features and Benefits

- Two 5" UL3288 wire leads for easy in-line installation
- Center body hole for bulkhead mounting
- Attached cover secures and protects installed fuse from splashes and debris
- 80°C max operating temperature

Dimensions in mm

PART NUMBER	A	B	LEAD A COLOR	LEAD B COLOR
MAHC0001ZXJ	127.0 ± 5.0	127.0 ± 5.0	Black	Black
MAHC0001TXJ	127.0 ± 5.0	127.0 ± 5.0	Red	Red
MAHC0001ZXJB	150.0 ± 5.0	150.0 ± 5.0	Black	Black

Specifications

Housing:	Thermoplastic (UL 94-V0, heat resistant)
Color:	Black
Current Rating:	60A
Voltage Rating:	32V DC

Applications

- Air conditioners
- Heater blower motor
- Air compressors
- High amperage audio equipment

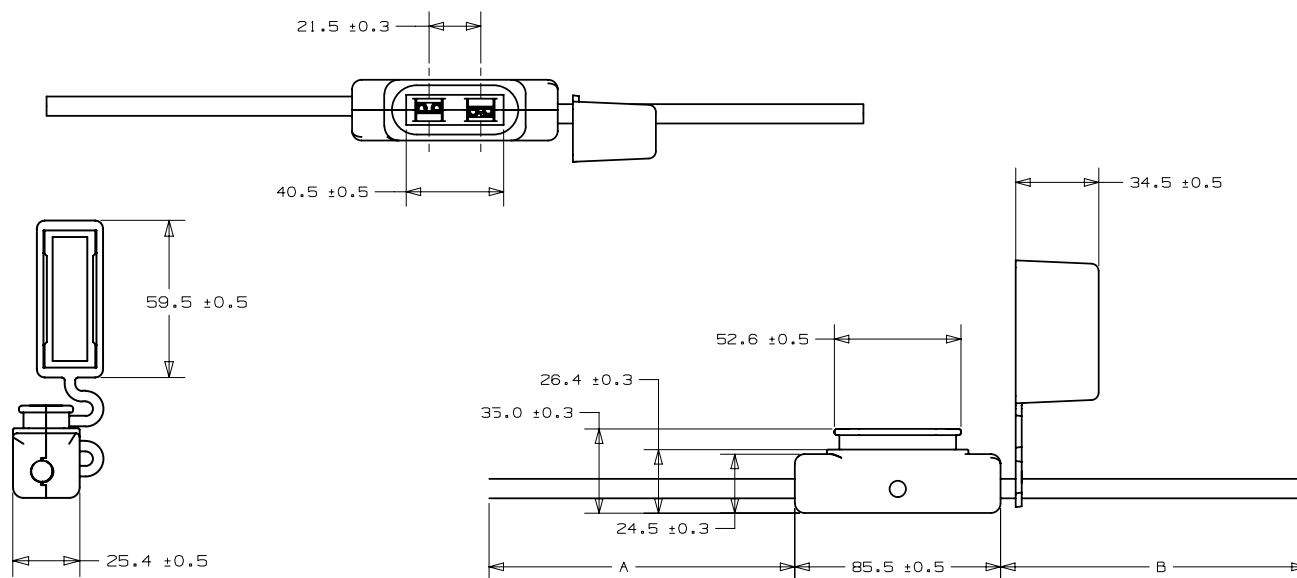
Recommended Fuse

MAXI® Series Blade Fuses



Ordering Information

BULK PART NUMBER	BLISTER PART NUMBER	DESCRIPTION	PACKAGE SIZE
MAHC0001ZXJ	MAHC-BP	6AWG black wire 60A	100
MAHC0001TXJ	—	6AWG black wire 60A	10



单击下面可查看定价，库存，交付和生命周期等信息

[>>Littelfuse\(美国力特\)](#)