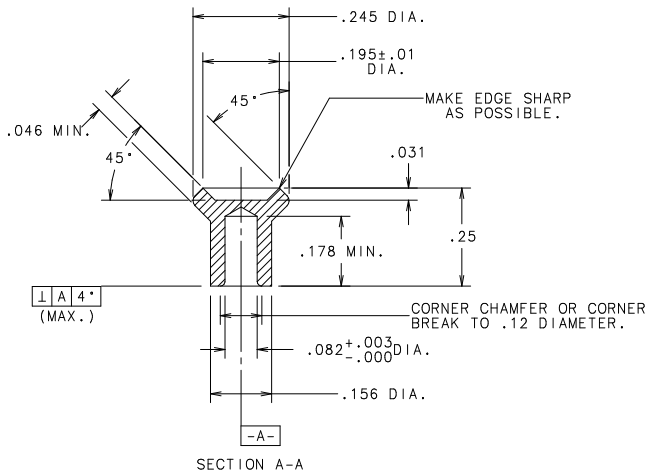


PART No.	FINISH SPECIFICATIONS	CONTACT RIVET
904-216	NONE - FREE OF OIL & CONTAMINANTS	N/A
904-216-001	ES-001001 NI	904-216
904-216-002	ES-001001	904-216



NO	COMPONENT NO	DESCRIPTION	QTY/M	U/M	BILL OF MATERIAL			
					MATL SPEC	FINISH	SCALE	DATE
1	9	18			DRW	SCALE	10/12/95	4:1
2	10	19			CHK	SUPER DRW		
3	12	20			APPD	RAW STK WT		
4	13	21						
5	14	23						
6	15	33						
7	16	43						
8	17	53						

TOLERANCE UNLESS OTHERWISE SPECIFIED
TWO PLACE DEC. ±.010 FRACTION ±
THREE PLACE DEC. ±.005 ANGULAR ±1°

NOTES:
1. THIS RIVET IS SIMILAR TO 904-197 WITH EXCEPTION

CPK DENOTES CP DIMENSIONS.-MINIMUM CP VALUE
LCP DENOTES LCP DIMENSIONS.-MINIMUM LCP VALUE
INDICATES DIMENSIONS THAT ARE SHOWN ON DRAWING,
AND ARE NOT TO BE USED FOR MANUFACTURING UNLESS
SPECIFICALLY NOTED TO ALLOW FOR MAXIMUM TOOL LIFE.

SECTION PROVIDES A CHARACTERISTIC THAT PROVIDES AN INDICATION
OF PROCESS PERFORMANCE. PROCEDURE FOR MEASUREMENT AND
ACCEPTANCE CRITERIA TO BE DEFINED IN LITTELFUSE INSPECTION INSTRUCTIONS.
UNLESS OTHERWISE SPECIFIED-DIMENSIONS DO NOT INCLUDE PLATING.

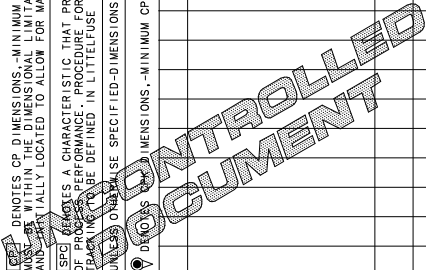
CPK DENOTES CP DIMENSIONS.-MINIMUM CPK VALUE

LTR	REVISION	CHK	APD
L	06866 - RELEASED -904-216-002 & REFRAN ON CAD. 10/12/95	MP	CP
M	84353C-CHG PLATING TO BE OUT SOURCED 7/27/95 LDL	MP	CP

LITTELFUSE INC.
DES PLAINES, ILLINOIS 60016

CONTACT RIVET

DRWS. NO. **904-216**



单击下面可查看定价，库存，交付和生命周期等信息

[>>Littelfuse\(美国力特\)](#)