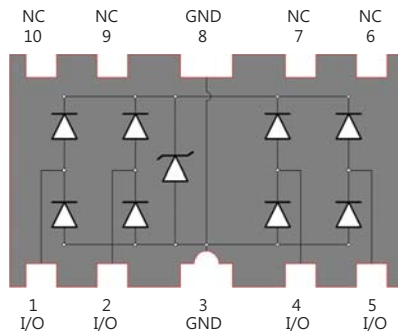


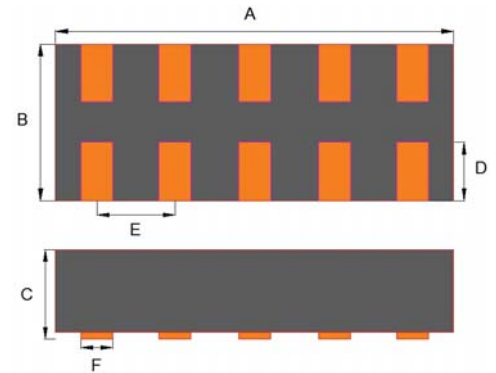


RESDMRA3V3J

3.3V 4Lines ESD Array



Package Outline



Features

- Meet IEC61000-4-2 (ESD) ±15kV (air), ±8kV (contact)
- Meet IEC61000-4-5 (Lightning) rating. 4A (8/20µs)
- Protects four high speed I/O lines
- Working Voltage : 3.3V
- Pb free version, RoHS compliant, and Halogen free

| Dimensions | Unit (mm) |      | Unit (inch) |       |
|------------|-----------|------|-------------|-------|
|            | Min       | Max  | Min         | Max   |
| A          | 2.45      | 2.55 | 0.096       | 0.100 |
| B          | 0.95      | 1.05 | 0.037       | 0.041 |
| C          | 0.45      | 0.55 | 0.018       | 0.022 |
| D          | 0.30      | 0.40 | 0.012       | 0.016 |
| E          | 0.45      | 0.55 | 0.018       | 0.022 |
| F          | 0.20      | 0.40 | 0.008       | 0.016 |

MECHANICAL CHARACTERISTICS

- Case : DFN2510-10 standard package, molded plastic
- Terminal: Au/Sn plated, Lead free,solderable per MIL-STD-202,Method 202 guaranteed
- Marking Code : J33
- MSL : Level 1

Maximum Rating And Electrical Characteristics (at Ta=25°C unless otherwise noted)

| Parameter                       | Condition                                       | Symbol | Min | Typ | Max  | Unit |
|---------------------------------|---|--------|-----|-----|------|------|
| Peak Pulse Power                | tp = 8 / 20 us<br>( According to IEC61000-4-5 ) | Ppp    |     | 150 |      | W    |
| Maximum Peak Pulse Current      | tp = 8 / 20 us<br>( According to IEC61000-4-5 ) | Ipp    |     | 4   |      | A    |
| ESD per IEC 61000-4-2 (Air)     |   | VESD   |     | ±15 |      | kV   |
| ESD per IEC 61000-4-2 (Contact) |   |        |     | ±8  |      | kV   |
| Operating Junction Temperature  |   | Tj     | -55 |     | 125  | °C   |
| Storage Temperature             |   | Tstg   | -55 |     | 150  | °C   |
| Reverse Stand-Off Voltage       |   | VRWM   |     |     | 3.3  | V    |
| Reverse Breakdown Voltage       | It = 1mA  | VBR    | 3.4 |     |      | V    |
| Reverse Leakage Current         | VRWM = 3.3V                                     | IR     |     |     | 100  | nA   |
| Clamping Voltage                | Ipp = 1A · tp = 8/20 us                         | Vc     |     |     | 8    | V    |
| Clamping Voltage                | Ipp = 3A · tp = 8/20 us                         |        |     |     | 10   | V    |
| Junction Capacitance            | Between I/O Pin and GND VR=0V · f=1MHz          | Cj     |     |     | 0.65 | pF   |



Typical Characteristics

Fig1 VR - IR

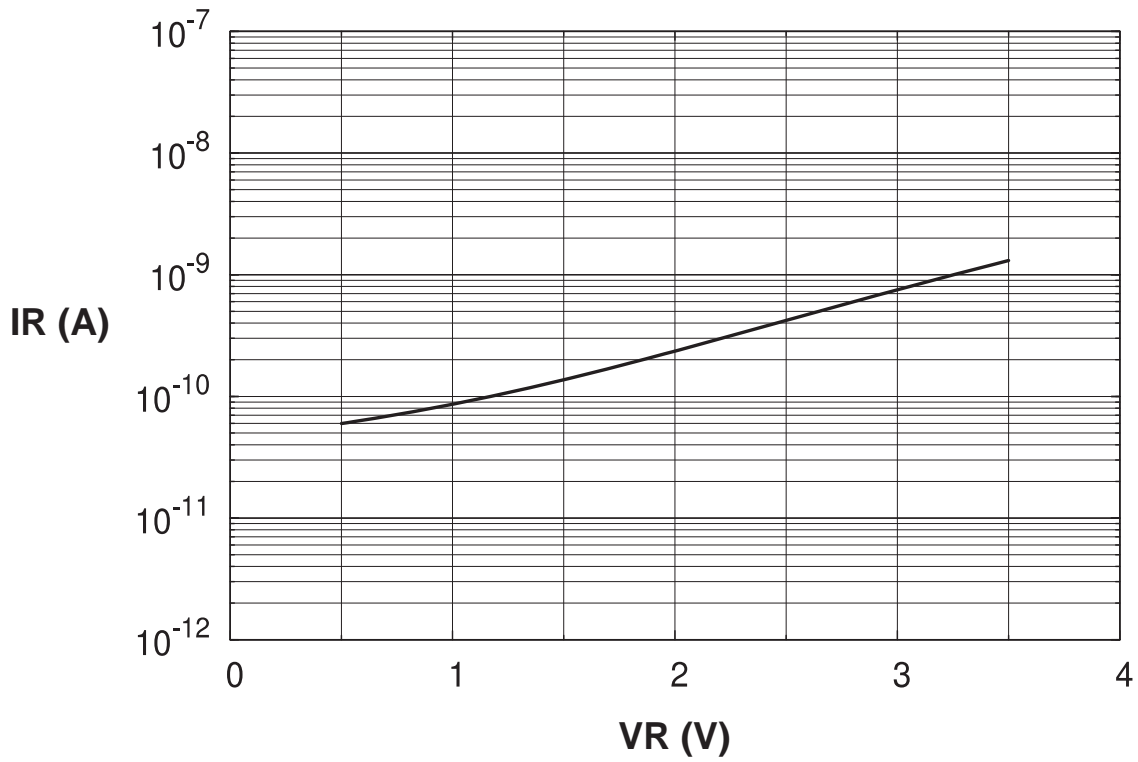


Fig2 IR - TA

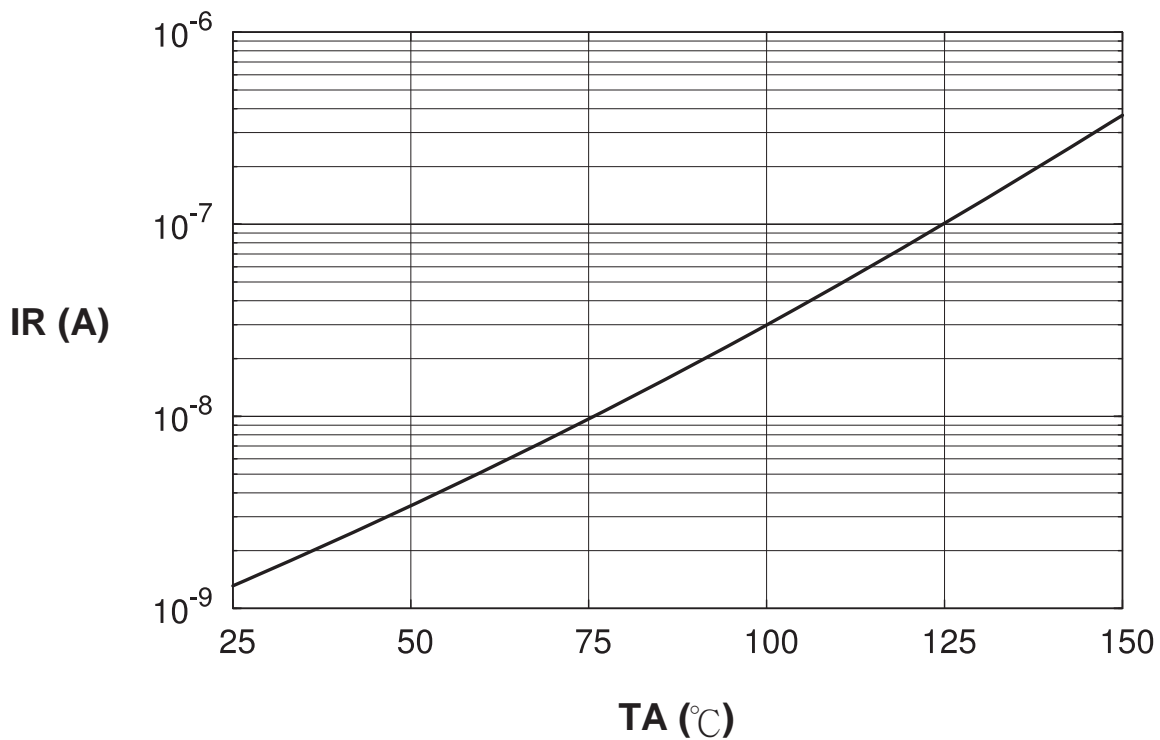
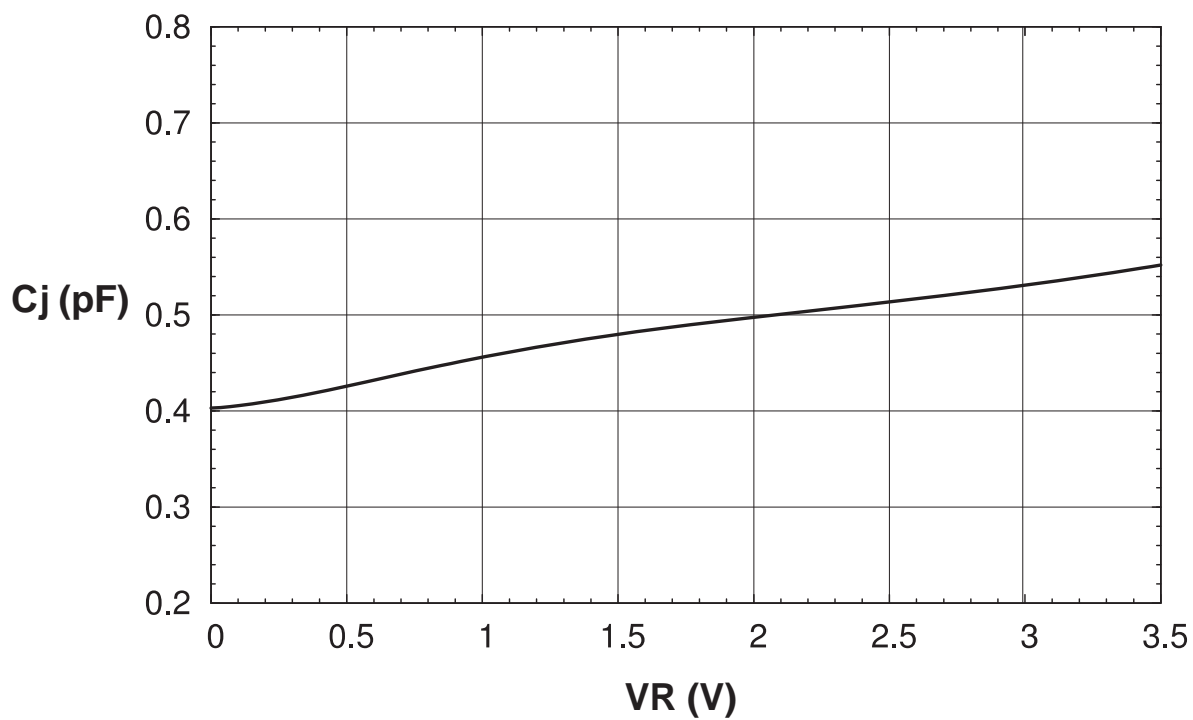


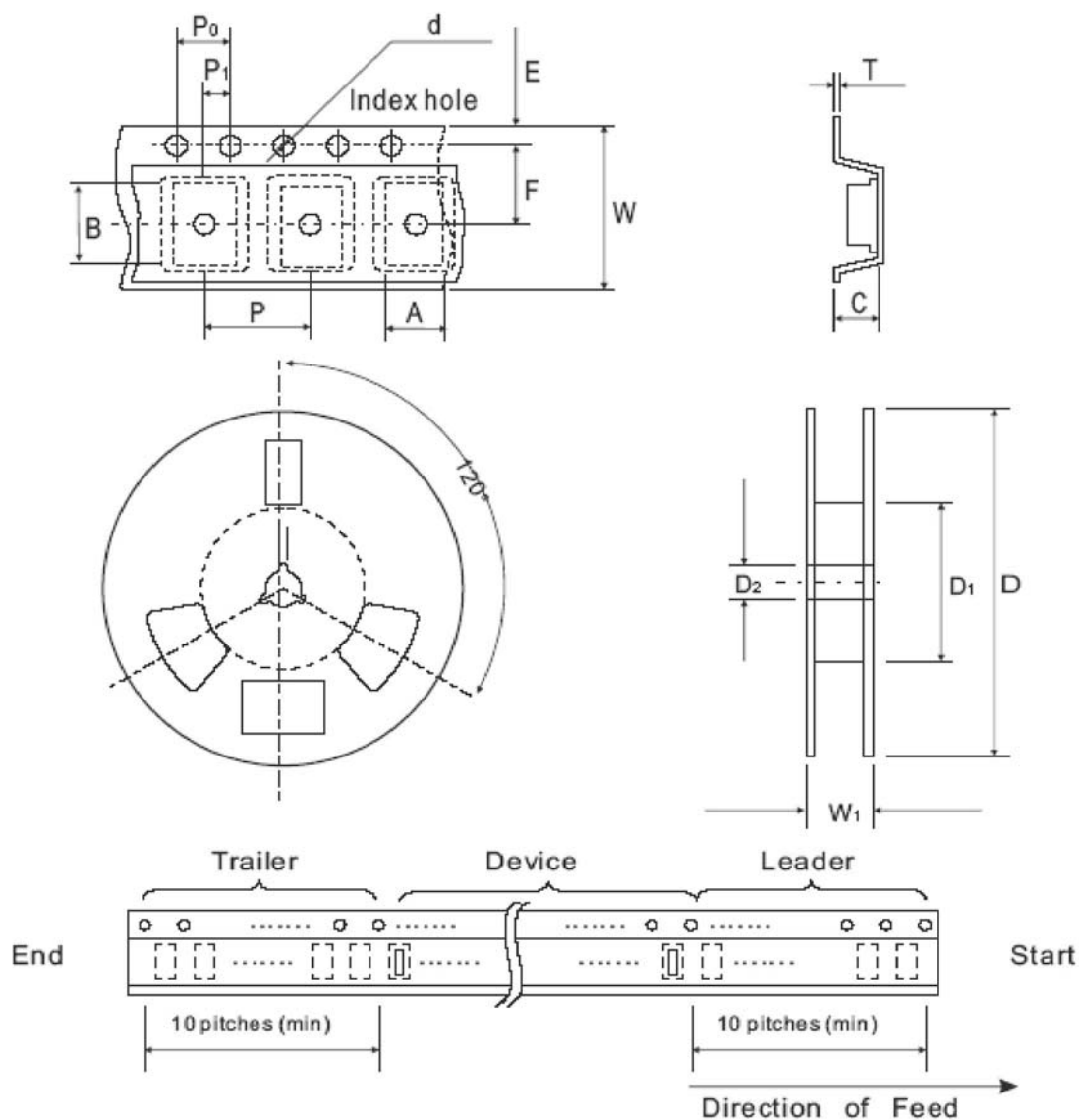


Fig3 Cj - VR





Packing Specification



Tape & Reel Dimensions

| Package | Unit | A           | B           | C           | d           | D          | D1       | D2          |
|---------|------|-------------|-------------|-------------|-------------|------------|----------|-------------|
| DFN2510 | mm   | 1.15±0.05   | 2.65±0.05   | 0.65±0.05   | 1.55±0.05   | 178±1      | 60MIN    | 13.0±0.20   |
|         | inch | 0.045±0.002 | 0.104±0.002 | 0.026±0.002 | 0.061±0.002 | 7.008±0.04 | 2.362MIN | 0.512±0.008 |

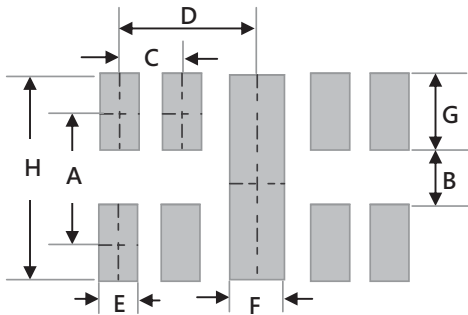
| package | Unit | E           | F           | P           | P0          | P1          | T           | W            | W1         |
|---------|------|-------------|-------------|-------------|-------------|-------------|-------------|--------------|------------|
| DFN2510 | mm   | 1.75±0.10   | 3.5±0.05    | 4.0±0.10    | 4.0±0.10    | 2.0±0.05    | 0.20±0.02   | 8.0±0.30     | 10.5±0.50  |
|         | inch | 0.069±0.004 | 0.138±0.002 | 0.157±0.004 | 0.157±0.004 | 0.079±0.002 | 0.008±0.001 | 0.315±0.0012 | 0.413±0.02 |



Standard Package

| Package | Reel Size | Qty/Reel  |
|---------|-----------|-----------|
| DFN2510 | 7"        | 3,000 pcs |

RECOMMENDED SOLDERING FOOTPRINT



Reflow Soldering

| Dimensions | Unit (inch) | Unit (mm) |
|------------|-------------|-----------|
| A          | 0.034       | 0.88      |
| B          | 0.008       | 0.20      |
| C          | 0.020       | 0.50      |
| D          | 0.039       | 1.00      |
| E          | 0.008       | 0.20      |
| F          | 0.016       | 0.40      |
| G          | 0.027       | 0.68      |
| H          | 0.061       | 1.55      |

Marking Code

| Part Number | Marking Code |
|-------------|--------------|
| RESDMRA3V3J | J33          |



DISCLAIMERS

These products are not designed for use in applications where any failure or malfunction may result in personal injury, death or severe property or environmental damage such as medical, military, aircraft, space or life support equipments.

单击下面可查看定价，库存，交付和生命周期等信息

[>>LIZ\(丽智\)](#)