



## High Efficiency Boost DC/DC Converter

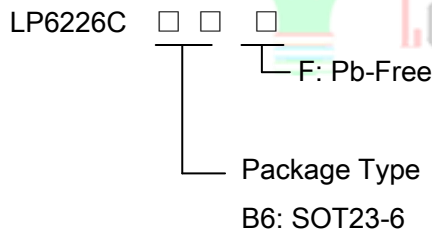
### General Description

The LP6226C is a current mode boost DC-DC converter. Its PWM circuitry with built-in 33V,1.5A current power MOSFET makes this converter highly power efficiently. Selectable high switching frequency allows faster loop response and easy filtering with a low noise output. The non-inverting input its error amplifier is connected to an internal 0.6V precision reference voltage. Soft-Start time can be programmed with an external capacitor, which sets the input current ramp rate. Current mode control and external compensation network make it easy and flexible to stabilize the system.

### Features

- ◆ Up to 94% efficiency
- ◆ Output to Input Disconnect at Shutdown Mode
- ◆ Shut-down current:<1uA
- ◆ Output voltage Up to 30V
- ◆ Internal Compensation, Soft-start
- ◆ 1.1MHz fixed frequency switching
- ◆ High switch on current:1.5A
- ◆ Available in SOT23-6 Package

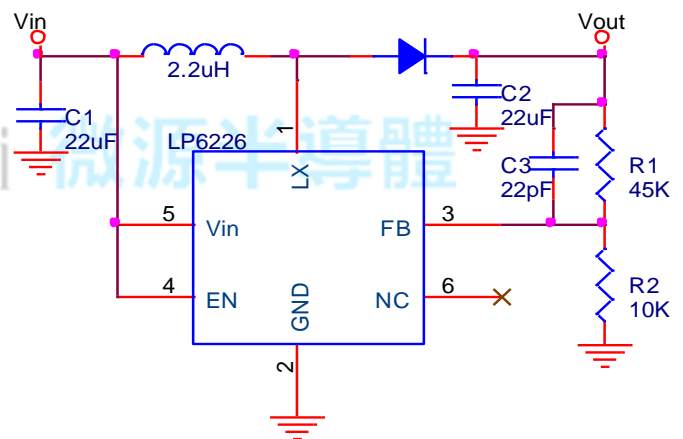
### Order Information



### Applications

- ✧ Battery products
- ✧ Host Products
- ✧ Panel

### Typical Application Circuit

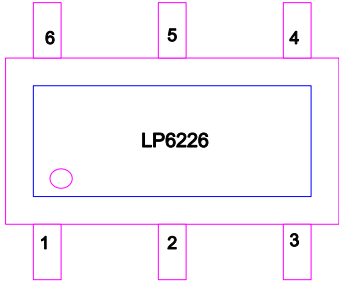


### Marking Information

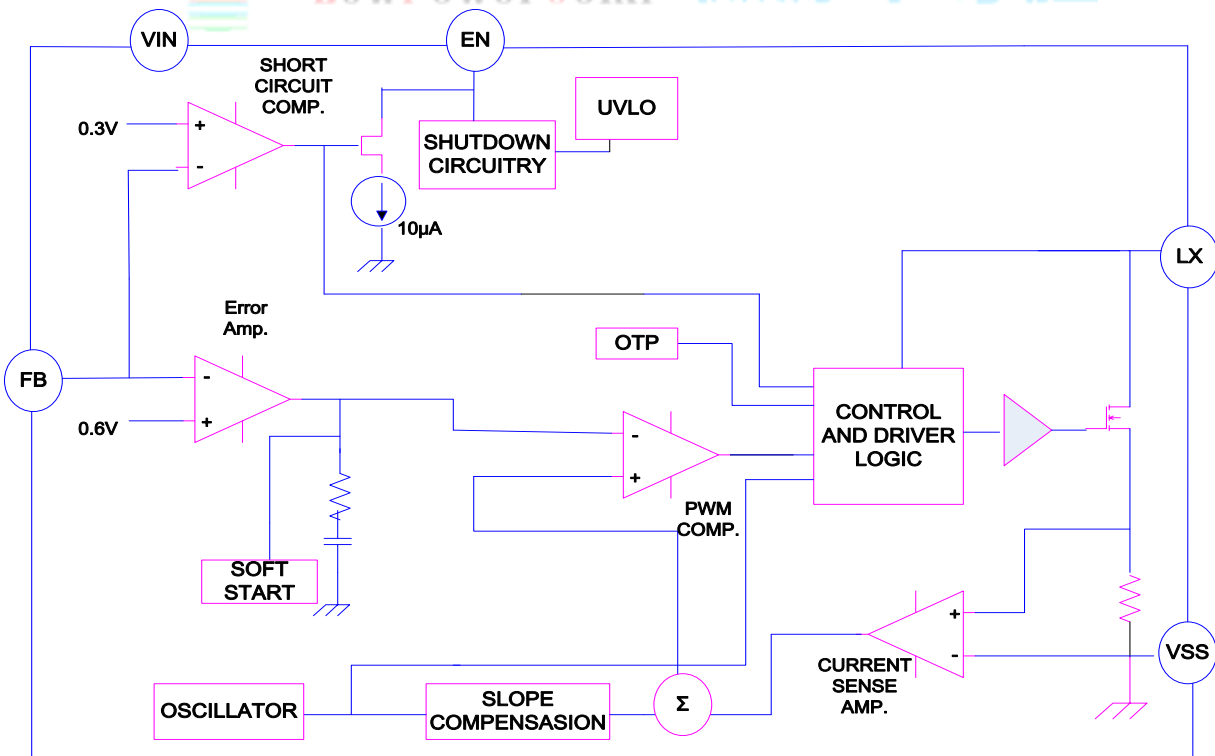
Device	Marking	Package	Shipping
LP6226CB6F	LPS 5AYWX	SOT23-6	3K/REEL
Y: Year code. W: Weeks code. X: Series number code.			



### Functional Pin Description

Package Type		Pin Configurations
SOT23-6		
Pin	Name	Description
1	LX	Output switching node.
2	GND	Ground.
3	FB	Regulation Feedback Input. Connect to an external resistive voltage divider from the output to FB to set the output voltage.
4	EN	Regulator On/off Control Input. A logic high input(VEN>1.4V) turns on the regulator. A logic low input(VEN<0.4V) puts the LP6226C into low current shutdown mode.
5	VIN	Power Supply pin.
6	NC	No Connector.

### Function Diagram





## Absolute Maximum Ratings <sup>Note 1</sup>

- ◇ Input Voltage to GND ----- -0.3V to 6.5V
- ◇ LX Voltage to GND ----- -0.3V to 33V
- ◇ Other pin to GND ----- -0.3V to 6V
- ◇ Maximum Junction Temperature ----- 150°C
- ◇ Operating Temperature Range ----- -40°C to 85°C
- ◇ Maximum Soldering Temperature (at leads, 10 sec) ----- 260°C

**Note 1.** Stresses beyond those listed under “Absolute Maximum Ratings” may cause permanent damage to the device. These are stress ratings only, and functional operation of the device at these or any other conditions beyond those indicated in the operational sections of the specifications is not implied. Exposure to absolute maximum rating conditions for extended periods may affect device reliability.

## Thermal Information

- ◇ Maximum Power Dissipation (PD,TA=25°C) ----- 0.45W
- ◇ Thermal Resistance (JA) ----- 250°C/W

## ESD Susceptibility

- ◇ HBM(Human Body Mode) ----- 2KV
- ◇ MM(Machine Mode) ----- 200V

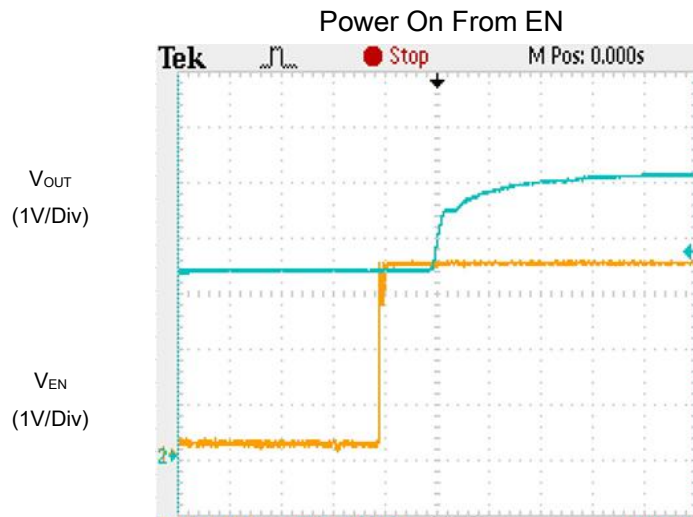
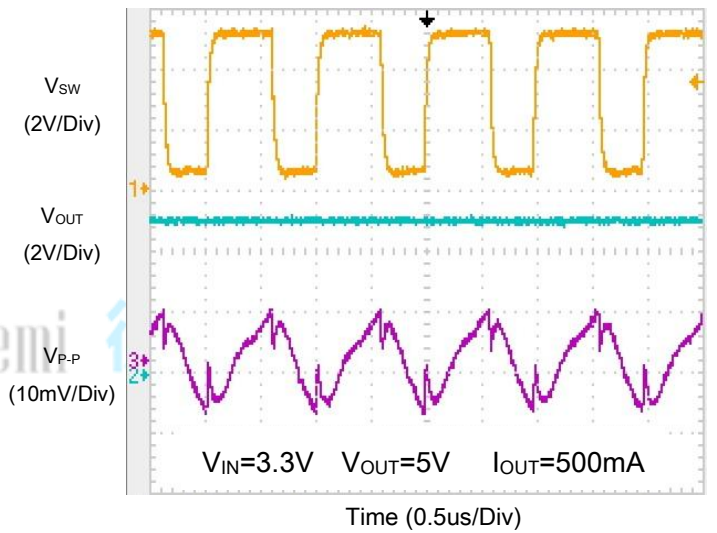
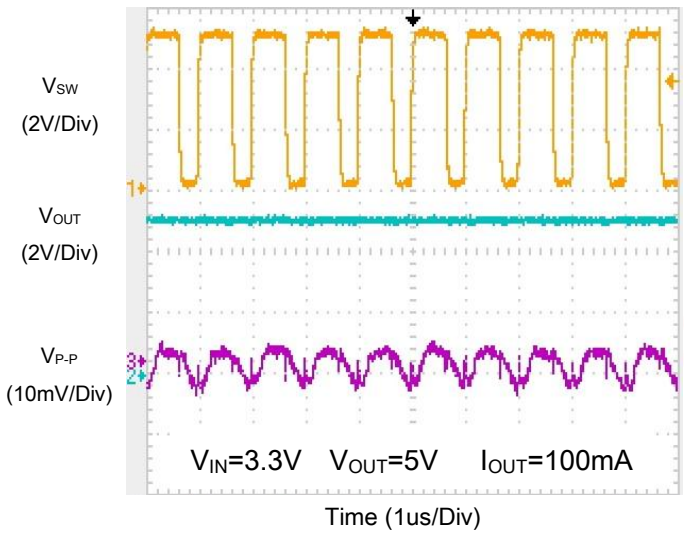
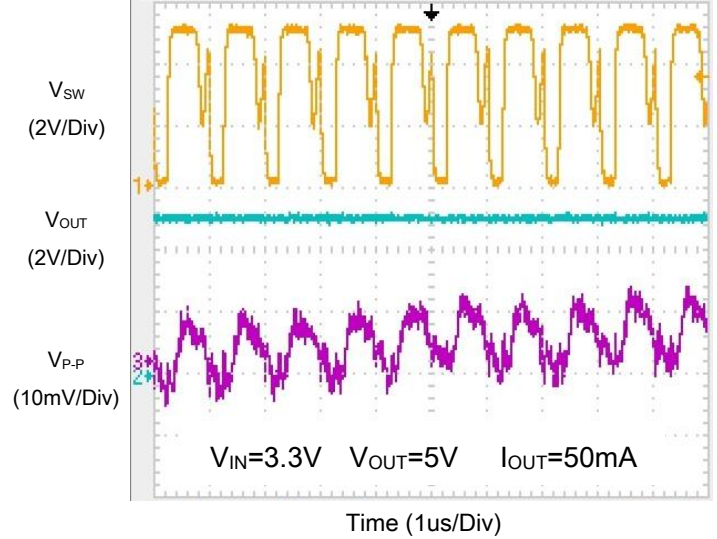
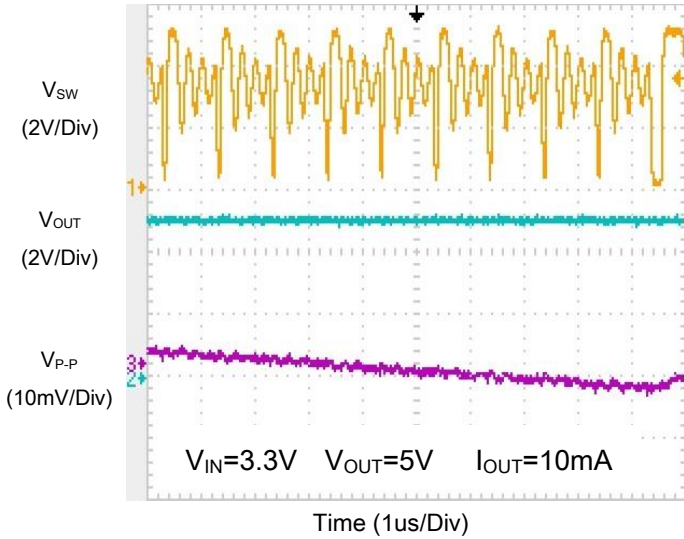
## Electrical Characteristics

(VIN=3.3V, VOUT=5V, CIN=10uF, COUT=22uF, L1=4.7uH, R1=110K, R2=15K)

Parameter	Conditions	Min	Typ	Max	Units
Supply Voltage		2.2		5.5	V
Input Under Voltage Lock Out	UVLO		2.0		V
UVLO Hysteresis Voltage			0.2		V
Output Voltage Range		2.5		30	V
Supply Current(Shutdown)	VEN= 0V		0.05	1	uA
Supply Current	VEN=HIGH			120	uA
Feedback Voltage			0.6		V
Feedback Input Current			50		nA
Switching Frequency			1.1		MHz
Maximum Duty Cycle		80	90	95	%
EN Input Low Voltage				0.4	V
EN Input High Voltage		1.4			V
High-side On Resistance	Vout=3.3V		300		mΩ
MOSFET Current			1.5		A

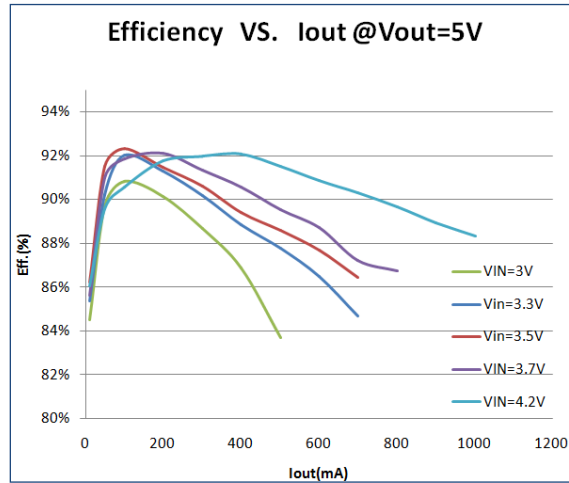
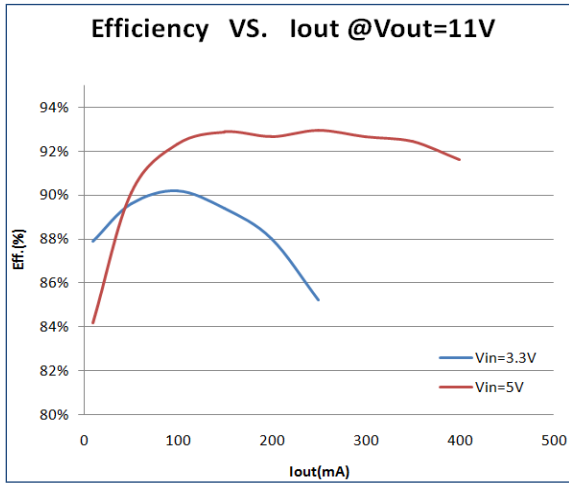


### Typical Operating Characteristics





Efficiency VS Output Current





## Operation Information

The LP6226C uses a fixed frequency, peak current mode boost regulator architecture to regulate voltage at the feedback pin. At the start of each oscillator cycle the MOSFET is turned on through the control circuitry. To prevent sub-harmonic oscillations at duty cycles greater than 50 percent, a stabilizing ramp is added to the output of the current sense amplifier and the result is fed into the negative input of the PWM comparator. When this voltage equals the output voltage of the error amplifier the power MOSFET is turned off. The voltage at the output of the error amplifier is an amplified version of the difference between the 0.6V bandgap reference voltage and the feedback voltage. In this way the peak current level keeps the output in regulation. If the feedback voltage starts to drop, the output of the error amplifier increases. This results in more current to flow through the power MOSFET, thus increasing the power delivered to the output. The LP6226C has internal soft start to limit the amount of input current at startup and to also limit the amount of overshoot on the output.

### Setting the Output Voltage

Set the output voltage by selecting the resistive voltage divider ratio. The voltage divider drops the output voltage to the 0.6V feedback voltage. Use a 100K resistor for R2 of the voltage divider. Determine the high-side resistor R1 by the equation:

$$V_{out} = (R1/R2 + 1) \times V_{FB}$$

### Current Limitation

The internal power-MOS switch current is monitored cycle-by-cycle and is limited to the value not exceed 1.5A (Typ.). When the switch current reaches the limited value, the internal power-MOS is turned off immediately until the next cycle.

### Inductor Selection

For a better efficiency in high switching frequency converter, the inductor selection has to use a proper core material such as ferrite core to reduce the core loss and choose low ESR wire to reduce copper loss. The most important point is to prevent the core saturated when handling the maximum peak current. Using a shielded inductor can minimize radiated noise in sensitive applications. The maximum peak inductor current is the maximum input current plus the half of inductor ripple current. The calculated peak current has to be smaller than the current limitation in the electrical characteristics. A typical setting of the inductor ripple current is 20% to 40% of the maximum input current. If the selection is 40%, the maximum peak inductor current is

$$I_{PEAK} = I_{IN(MAX)} + \frac{1}{2} I_{RIPPLE} = 1.2 \times I_{IN(MAX)} \\ = 1.2 \times \left[ \frac{I_{OUT(MAX)} \times V_{OUT}}{\eta \times V_{IN(MIN)}} \right]$$

The minimum inductance value is derived from the following equation:

$$L = \frac{\eta \times V_{IN(MIN)}^2 \times [V_{OUT} - V_{IN(MIN)}]}{0.4 \times I_{OUT(MAX)} \times V_{OUT}^2 \times f_{OSC}}$$

Depending on the application, the recommended inductor value is between 2.2μH to 4.7μH.

### Diode Selection

To achieve high efficiency, Schottky diode is good choice for low forward drop voltage and fast switching time. The output diode rating should be able to handle the maximum output voltage, average power dissipation and the pulsating diode peak current.





### Input Capacitor Selection

For better input bypassing, low-ESR ceramic capacitors are recommended for performance. A 10 $\mu$ F input capacitor is sufficient for most applications. For a lower output power requirement application, this value can be decreased.

### Output Capacitor Selection

For lower output voltage ripple, low-ESR ceramic capacitors are recommended. The tantalum capacitors can be used as well, but the ESR is bigger than ceramic capacitor. The output voltage ripple consists of two components: one is the pulsating output ripple current flows through the ESR, and the other is the capacitive ripple caused by charging and discharging.

$$V_{\text{RIPPLE}} = V_{\text{RIPPLE\_ESR}} + V_{\text{RIPPLE\_C}}$$
$$\cong I_{\text{PEAK}} \times R_{\text{ESR}} + \frac{I_{\text{PEAK}}}{C_{\text{OUT}}} \left( \frac{V_{\text{OUT}} - V_{\text{IN}}}{V_{\text{OUT}} \times f_{\text{OSC}}} \right)$$

### Layout Guideline

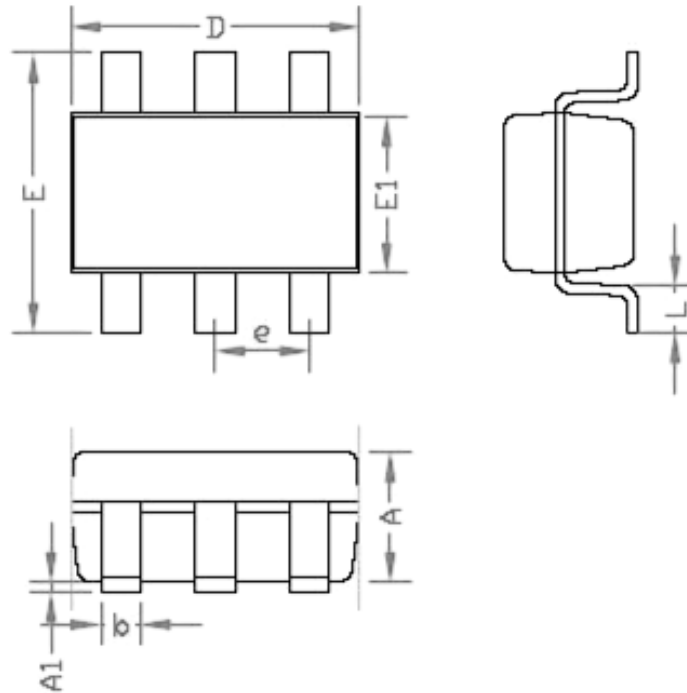
For high frequency switching power supplies, the PCB layout is important step in system application design. In order to let IC achieve good regulation, high efficiency and stability, it is strongly recommended the power components should be placed as close as possible. The set traces should be wide and short. The feedback pin and then works of feedback and compensation should keep away from the power loops, and be shielded with a ground trace or plane to prevent noise coupling.





### Packaging Information

SOT23-6



SYMBOLS	MILLIMETERS		INCHES	
	MIN.	MAX.	MIN.	MAX.
A	-	1.45	-	0.057
A1	0.00	0.15	0.000	0.006
b	0.30	0.50	0.012	0.020
D	2.90		0.114	
E1	1.60		0.063	
e	0.95		0.037	
E	2.60	3.00	0.102	0.118
L	0.3	0.60	0.012	0.024



单击下面可查看定价，库存，交付和生命周期等信息

[>>LOW POWER\(微源半导体\)](#)