

Features

- Wide input voltage range: 4.2V – 18V
- Output voltage range: $V_{ref} - 7V$
- High efficiency operation
 - Integrated an 75-mΩ LS-MOSFET and an 110-mΩ HS-MOSFET
 - 90% efficiency at 2A load from 12V to 5V conversion
- Automatic PFM mode at light load
- $\pm 1\%$ V_{ref} accuracy
- Typical 1.2-MHz switching frequency
- COT control scheme with fast load transient response
- Hiccup protection
- Integrated UVLO, OCP, SCP, and OTP protections
- 1.25ms typical soft-start time
- 1.6mm X 2.9mm SOT23-6 package
- RoHS Compliant and 100% Lead (Pb) Free
-

Applications

- Industrial PC
- Network/digital video recorder (NVR/DVR)
- TV and TV box
- 12V Industrial bus applications

General Description

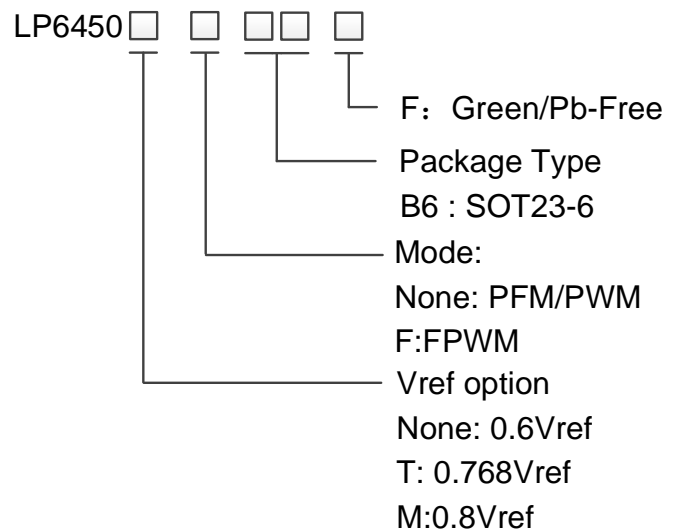
The LP6450X is a synchronous buck converter supporting up to 2A output current. The LP6450X employs an adaptive constant-on-time (COT) control scheme to achieve fast load transient response. The external components are minimized, requiring only one inductor, two resistors, and two capacitors.

The LP6450X supports both aluminum polymer capacitors and ceramic capacitors without extra compensation components.

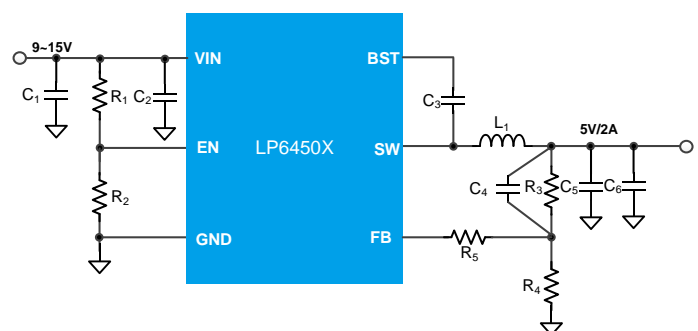
The LP6450X integrates PFM (Pulse Frequency Modulation) operation, which helps maintain the system efficiency at light load. The LP6450X also integrates multiple protection functions, i.e., over-current protection (OCP), over-temperature protection (OTP), under-voltage lockout (UVLO), and short circuit protection (SCP).

The LP6450X is available in a small 6-pin 1.6mmX2.9mm SOT23-6 package.

Order Information



Typical Application Circuit





Device Information

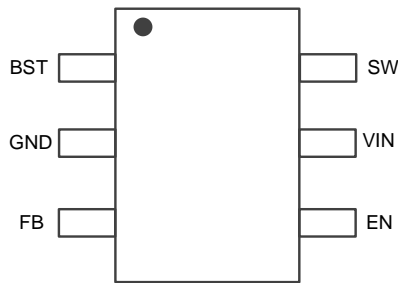
Part Number	Top Marking	Vref	Mode	Package	Shipping	MSL
LP6450B6F	LPS AZYWX	0.6V	PFM/PWM	SOT23-6	3K/REEL	LEVEL3
LP6450TB6F	LPS AYYWX	0.768V	PFM/PWM	SOT23-6	3K/REEL	LEVEL3
LP6450MB6F	LPS AaYWX	0.8V	PFM/PWM	SOT23-6	3K/REEL	LEVEL3
LP6450FB6F	LPS AhYWX	0.6V	FPWM	SOT23-6	3K/REEL	LEVEL3
LP6450TFB6F	LPS AiYWX	0.768V	FPWM	SOT23-6	3K/REEL	LEVEL3

Marking indication: Y: Year code. W: Week code. X: Batch numbers.

MSL: Moisture Sensitivity Level according to JEDEC Standard

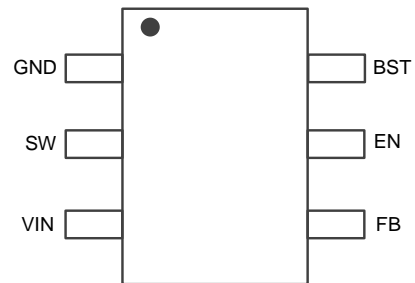


Pin Diagram



SOT23-6
(Top View)

LP6450/LP6450F Pinout



SOT23-6
(Top View)

LP6450T/LP6450M/LP6450TF Pinout

Pin Description

Pin # LP6450/F	Pin # LP6450T/M/TF	Name	Description
2	1	GND	Power ground of the IC
6	2	SW	The switching node of the converter.
5	3	VIN	IC power supply input.
3	4	FB	Feedback pin. Use a resistor divider to set the desired output voltage
4	5	EN	Enable input. This pin can be used to control the system power sequence as well
1	6	BST	Bootstrap pin. Power supply for high-side MOSFET gate driver. A 0.1- μ F capacitor must be connected between this pin and SW pin.



Absolute Maximum Ratings (Note)

VIN, SW, and EN to GND	-----	-0.3V to 19V
FB to GND	-----	-0.3V to 6.5V
BST to SW	-----	-0.3V to 6.5V
SW to GND (5ns transient)	-----	-3.5V to 20V
Operating Ambient Temperature Range (TA)	-----	-40°C to 85°C
Maximum Soldering Temperature (at leads, 10 sec)	-----	-260°C

Note: Stresses beyond those listed under “Absolute Maximum Ratings” may cause permanent damage to the device. These are stress ratings only, and functional operation of the device at these or any other conditions beyond those indicated in the operational sections of the specifications is not implied. Exposure to absolute maximum rating conditions for extended periods may affect device reliability.

ESD Ratings

HBM (Human Body Model)	-----	2kV
CDM (Charged-device Model)	-----	500V

Thermal Information

θ_{JA} (Junction-to-Ambient Thermal Resistance)	-----	160°C/W
--	-------	---------

Recommended Operating Conditions

SYMBOL	PARAMETER	MIN	TYP	MAX	UNIT
V _{IN}	Input voltage	4.2		18	V
V _{OUT}	Output voltage	V _{ref}		7	V
L	Inductor	0.7		6.0	μH
T _A	Ambient temperature range	-40		85	°C
C _{IN}	Input decoupling capacitor	4.7		100	μF
C _{OUT}	Output capacitor	10		100	μF

Electrical Characteristics

(The specifications are measured under conditions V_{IN} = 12V, T_J = 25°C, unless otherwise specified.)

SYMBOL	PARAMETER	TEST CONDITIONS	MIN	TYP	MAX	UNIT
INPUT SECTION						
V _{ULVO_R}	Input voltage under lockout threshold	V _{IN} rising threshold		4.0	4.2	V
V _{ULVO_H}	UVLO hysteresis	V _{IN} falling threshold		0.3		V
I _{q_VIN}	Input quiescent current	No switching, EN=3V, FB=1.0V		320		μA
BUCK CONVERTER						
I _{LIM}	Low-side valley current limit	T _J =25°C	2.2	3.0	4.0	A



SYMBOL	PARAMETER	TEST CONDITIONS	MIN	TYP	MAX	UNIT
V _{ref}	Reference voltage	T _J =25°C, LP6450	0.594	0.6	0.606	V
		T _J =25°C, LP6450T	0.761	0.768	0.775	V
		T _J =25°C, LP6450M	0.792	0.8	0.808	V
R _{dson_HS}	High-side FET on resistance	V _{IN} =12V		110		mΩ
R _{dson_LS}	Low-side FET on resistance	V _{IN} =12V		75		mΩ
F _{sw}	Switching frequency			1200		kHz
t _{on-min}	Minimum on-time ^[1]			50		ns
t _{off-min}	Minimum off-time ^[1]	V _{FB} =V _{ref} - 0.2V		100		ns
t _{on-hiccup}	Hiccup on time ^[1]			2		ms
t _{off-hiccup}	Hiccup waiting time ^[1]			32		ms
t _d	EN delay time ^[1]	From EN high to first switching		250		us
t _{ss}	Soft-start time ^[1]	From first switching to 95%V _{ref}		1.25		ms
T _{jsd}	Thermal shutdown threshold	Rising threshold		160		°C
	Thermal shutdown threshold	Falling threshold		135		°C
I _{leak_FB}	FB pin leakage current			0.01		μA
EN Logic						
V _H	EN pin logic high threshold	EN Rising threshold		1.2		V
V _{hys}	EN pin threshold hysteresis			0.2		V
	EN pin internal pull-down resistance			1000		kΩ

[1]: Not production tested. Guaranteed by design



Typical Characteristics

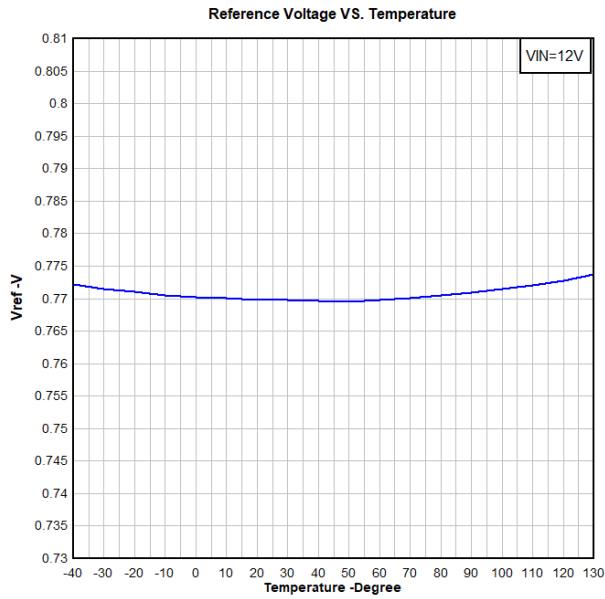


Figure 1. Reference voltage VS. Junction Temperature

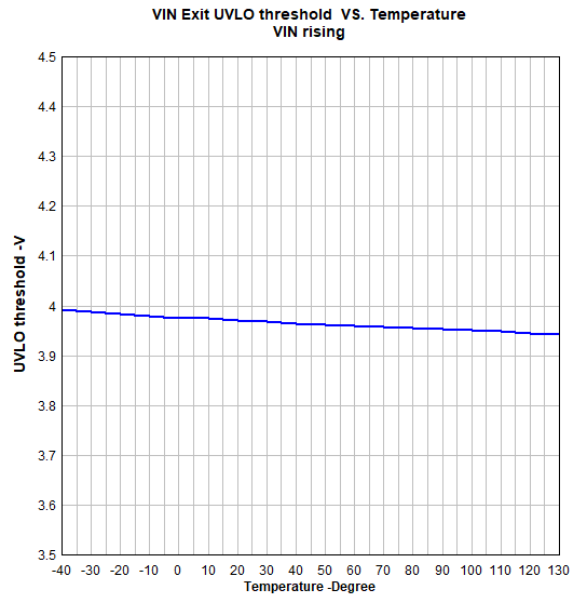


Figure 2. VIN UVLO VS. Junction Temperature

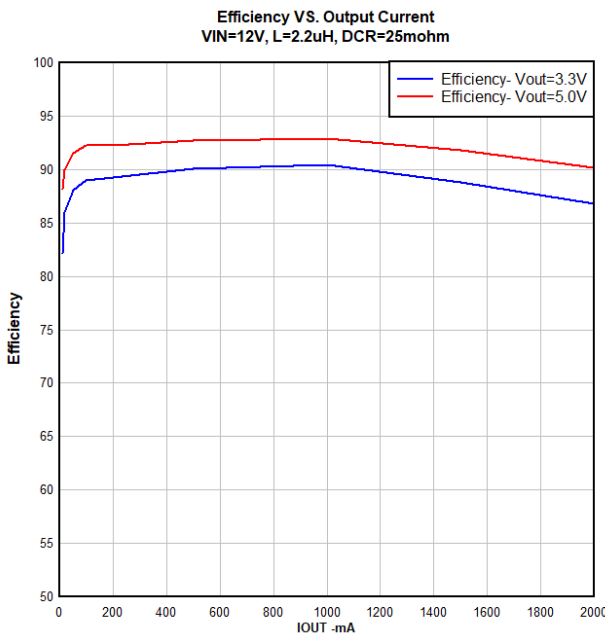


Figure 3. VIN=12V, Efficiency, L=2.2uH, DCR=25mΩ

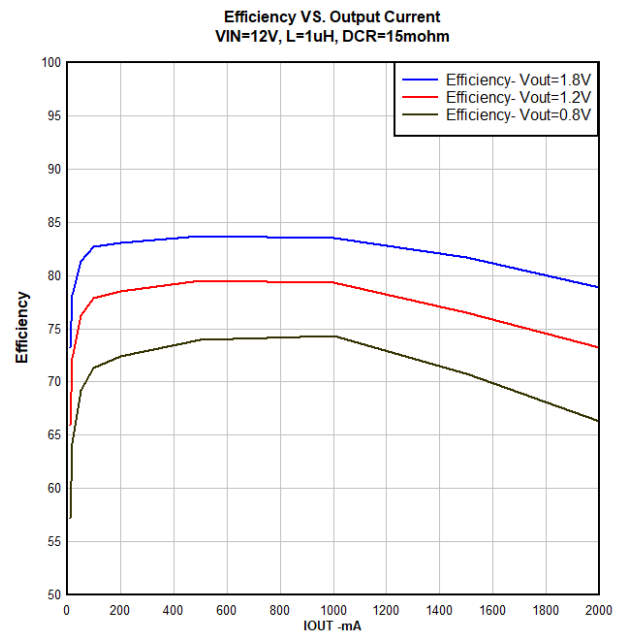


Figure 4. VIN=12V, Efficiency, L=1uH, DCR=15mΩ

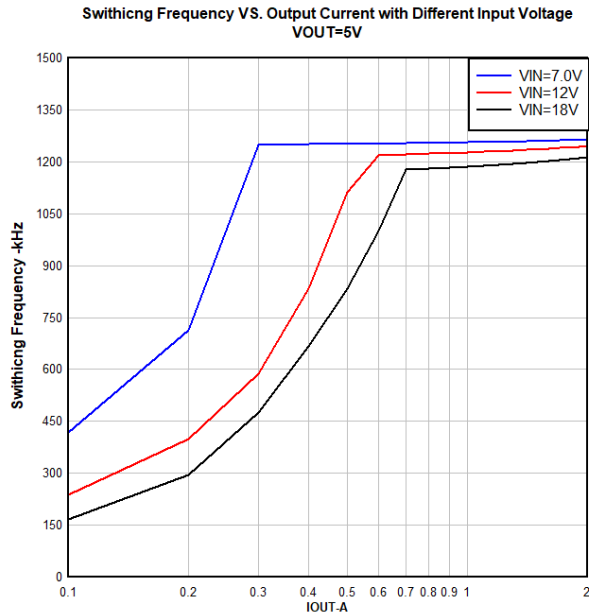


Figure 5. Switching Frequency VS. Output Current

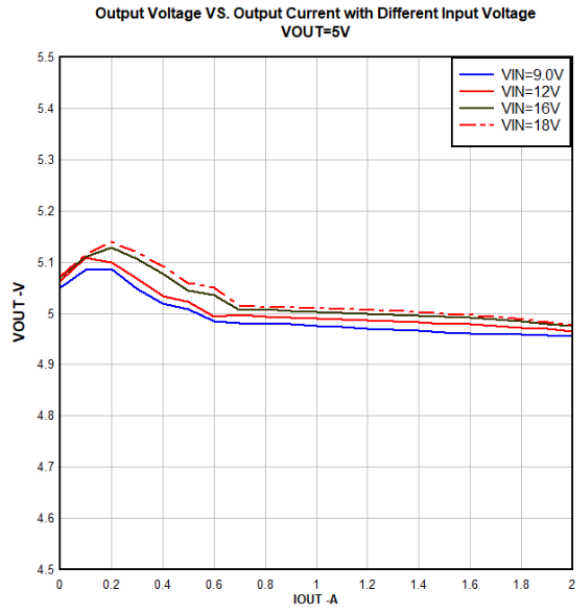


Figure 6. VOUT=5V, Regulation, L=2.2uH

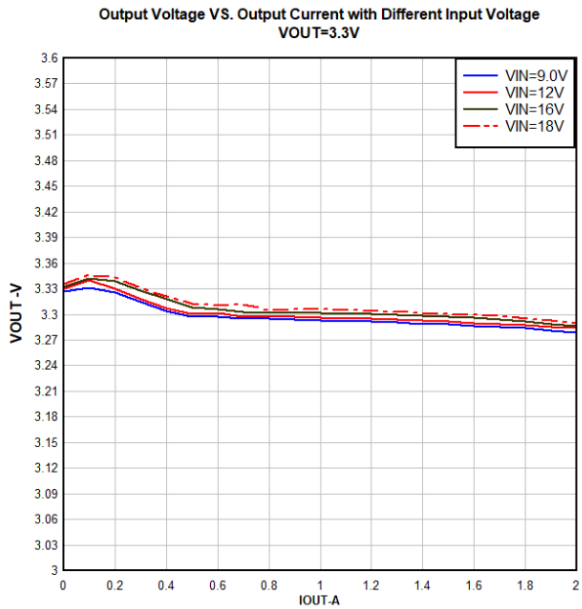


Figure 7. VOUT=3.3V, Regulation, L=2.2uH

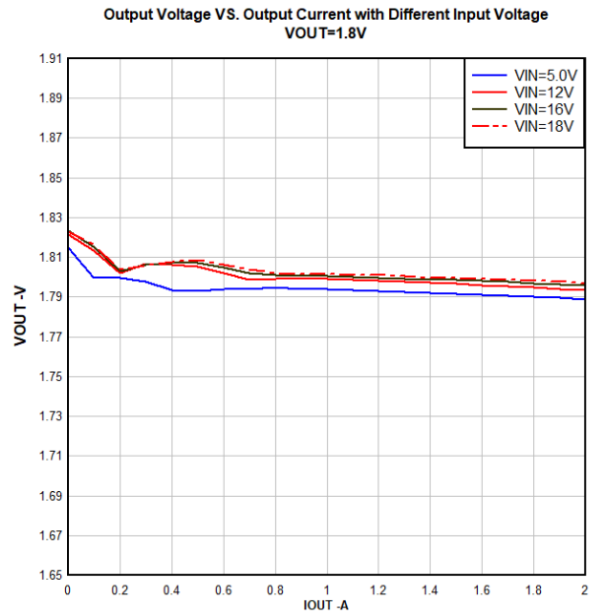
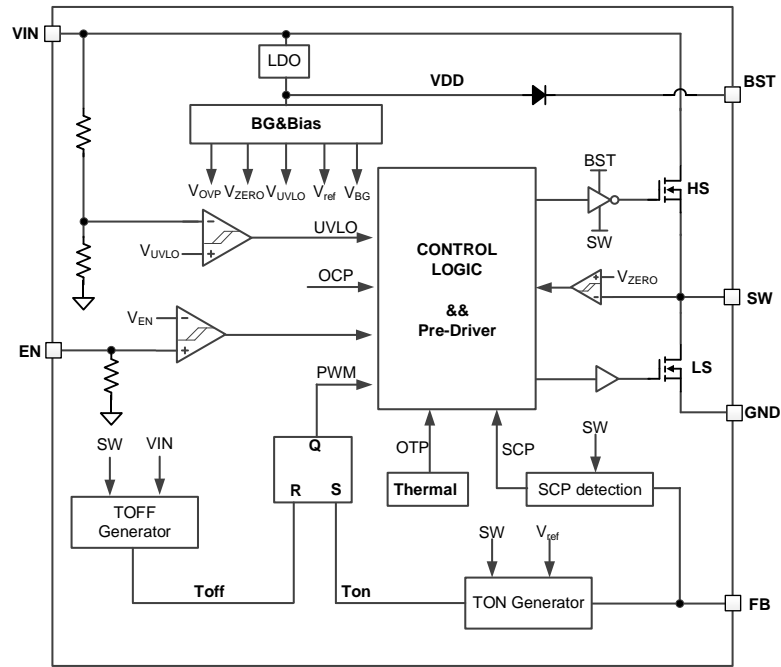


Figure 8. VOUT=1.8V, Regulation, L=1uH



Functional Block Diagram





Detailed Description

Overview

The LP6450X is a 2A synchronous buck converter, supporting 4.2-18V input voltage range. The adaptive COT control scheme enables fast transient respond and minimizes the output capacitance. The LP6450X supports both aluminum polymer capacitors and low-ESR ceramic capacitors without external compensation circuit. The LP6450X automatically transfers between PFM and PWM according to the output current.

Under Voltage Lockout (UVLO)

When the input voltage V_{IN} is lower than the UVLO threshold, all functions are shut down. When the input voltage is higher than the UVLO rising threshold, the LP6450X can be enabled by the EN pin.

EN Control

The EN pin can be used to control the system power-up sequence. A precise voltage reference is used as the threshold. When the V_{IN} is above the UVLO threshold and EN voltage rises above the EN pin logic high threshold (1.2V typically), the LP6450X enables all the internal circuits, delays for 260us, and begins the soft-start (refer to Soft-start section for more details).

The EN pin has an internal 1000k Ω pull-down resistor to ground.

Soft-start

The LP6450X integrates soft-start function with a typical time of 1.25ms (t_{ss}). After passing the UVLO threshold and enabled by the EN pin with the 250us delay(t_d), the internal reference voltage ramps from zero to the V_{ref} in 1.25-ms and the output voltage ramps up accordingly.

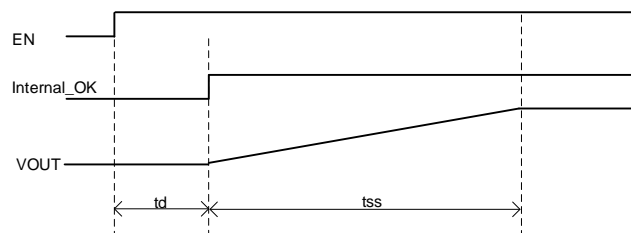


Figure 9. Soft Start Sequence

Constant-ON Time (COT) Control Scheme

The LP6450X integrates the COT control scheme for pseudo-fixed- frequency operation when operating in continuous conduction mode (CCM). Refer to the Functional Block Diagram for better understanding of the operation. The internal on-time (TON) generator block monitors the FB-pin voltage and turns on the high-side MOSFET to start a switching cycle, when the FB-pin voltage drops to an internal reference voltage V_{ref} . Then the internal circuits start to calculate the on-time of the high-side MOSFET, which is proportional to the input voltage and inversely proportional to the output voltage. Once the on-time is finished, the TOFF generator turns off the high-side MOSFET and turns on the low-side MOSFET.

PFM Operation

The LP6450X is designed to maintain high efficiency at light load by adopting pulse-frequency modulation (PFM). In the PFM, the switching cycle is still initiated by the TON generator monitoring the FB-pin voltage. The high-side MOSFET is turned on for TON time and then turned off, followed by turning on the low-side MOSFET. The inductor current falls when the low-side MOSFET is on. When the inductor current reaches zero, detected by the zero-current detection (ZCD) comparator, the low-side MOSFET is turned off, together with the high-side MOSFET. Both MOSFETs remains off until a new switching cycle begins, determined by TON generator. As the load current decreases, the duration for both MOSFETs to remain off increases, leading to a lower switching frequency and higher power efficiency.



FPWM Operation (LP6450F/LP6450TF)

The LP6452F is designed to work at FPWM to maintain the good regulation and transient performance. When the output decreases, the inductor is allowed to flow from the output to the ground plane. In this way, the switching frequency is kept the same even without load.

The FPWM operation mode reduced the output ripple under light load at the cost of lower light load efficiency

Bootstrap Capacitor

The LP6450X integrates two N-MOSFET to achieve high efficiency. The high-side MOSFET is powered by the bootstrap capacitor CBST, which is between the BST pin and SW pin.

Over Current Protection and Short Circuit Protection

The LP6450X protects an over current situation by limiting the inductor valley current. The current of low-side MOSFET is monitored all the time to sense the inductor valley current when the LP6450X is enabled. The high-side MOSFET cannot be turned on if the valley current is higher than the low-side valley current limit, protecting the inductor current from further increasing. The inductor current is limited to the valley current limit plus a half of the inductor ripple current.

The SCP is realized by monitoring the FB-pin voltage when the inductor current is limited. Once the output load draws more current than the current limit, the output voltage drops. When the FB voltage drops to 50% of the Vref for 1.5-ms, the LP6450X shuts down. The LP6450X will restart after a typical 32-ms hiccup waiting time. If the SCP condition still holds after soft-start, the LP6450X shutdown again, repeating the hiccup operation.

When the over current condition is removed, the output voltage returns to normal operation.

Thermal Protection

The LP6450X has a thermal protection function. The device will shut down when the internal temperature is higher than 160°C and will restart after the temperature drops below 135°C.



Application Information

Design Requirements

The table 1 shows the design parameters for a typical 5V output voltage in the IPC application.

Table 1 Design Parameters

Parameter	Target
Input voltage range	9~15V
Output voltage	5V
Transient ripple	±200mV
Operating frequency	1200kHz

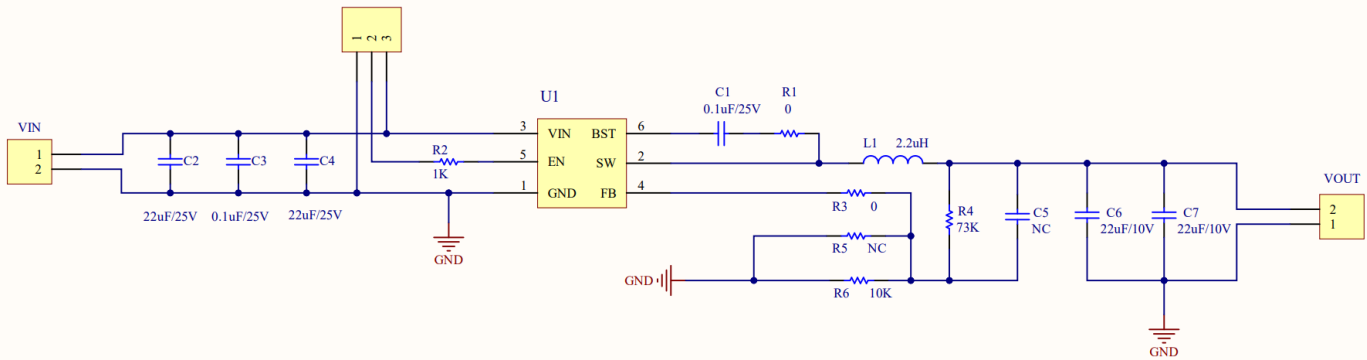


Figure 10. Typical schematic

Output Voltage Setting

The output voltage can be programmed by adjusting the external resistor divider R_{UP} and R_{DOWN} according to the equation below:

$$V_{OUT} = \left(\frac{R_{UP}}{R_{DOWN}} + 1 \right) * V_{ref}$$

When the output voltage is in regulation, the typical voltage at FB pin is 0.6V for LP6450.

For better accuracy, the R_{DOWN} is recommended to be lower than 100kΩ to ensure the current flowing through R_{DOWN} is at least 100 times larger than the FB pin leakage current.

For a 5V-output application, a 10kΩ R_{DOWN} is selected and the R_{UP} is 73.2kΩ.

A resistor with higher than 1kΩ but lower than 100kΩ should be placed between the resistor divider and FB pin if a C_{ff} capacitor is soldered.

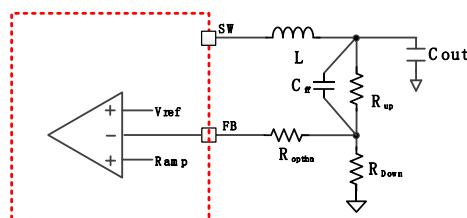


Figure 11. FB connection



EN Design

The LP6453X allows the user to design a precise VIN voltage to enable the converter during power on. The startup sequence can be designed by adjusting the resistor divider of R_{UP_EN} and R_{DOWN_EN} with the equation below,

$$V_{EN} = \frac{1000k\Omega // R_{DOWN_EN}}{R_{UP_EN} + 1000k\Omega // R_{DOWN_EN}} * V_{IN}$$

where V_{EN} is the EN rising threshold voltage at which the converter is enabled, which is 1.2V typically. A 47pF-1nF capacitor is recommend to be soldered in parallel with the R_{EN_DOWN} to avoid the high-frequency noise influence from the switching node.

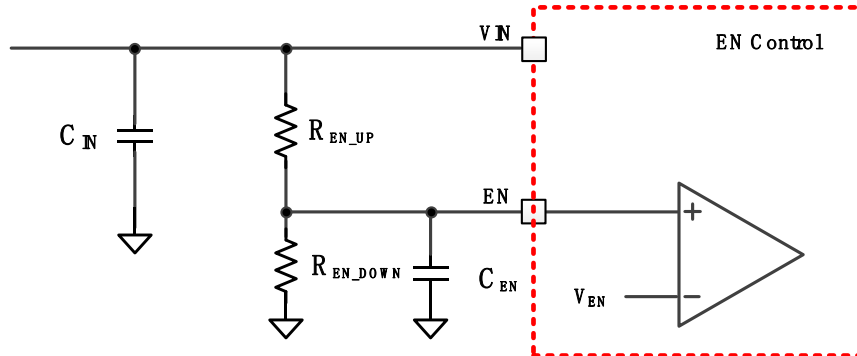


Figure 12. EN connection

Inductor and Output Capacitor Setting

The inductor ripple is calculated by the equation below:

$$I_{PP} = \left(\frac{V_{OUT}}{L * F_{SW}} * \frac{V_{IN} - V_{OUT}}{V_{IN}} \right)$$

To get a better efficiency, the inductor ripple is recommended to be controlled under 40% of the output current to minimize the AC loss of the inductor and power MOSFETs.

For a typical 12V input voltage and 5V output voltage, a low DCR value, 2.2-μH inductor is recommended.

The output capacitor not only impacts the output ripple but also the loop stability. Please follow the design rules in the table below. A feedforward capacitor C_{FF} can be selected to improve the transient behavior. The typical capacitance can be 10-100pF. For this design, 10V, X5R, 22μF capacitors (GRM21BR61A226ME51) from Murata are soldered at the VOUT to GND. Multiple capacitors should be soldered to keep the system stable because of the voltage rating effect.

Table 2 Recommend R/L/C values

Vout	Inductor-L	Cout	R _{UP}	R _{DOWN}	R _{option}	C _{ff}
1.2V	1μH/1.2μH	22μF*1	10 kΩ	10 kΩ	0 Ω	NA
3.3V	1.5μH/2.2μH	22μF*2	45 kΩ	10 kΩ	10 kΩ	10-100pF
5.0V	2.2μH ~4.7μH	22μF*3(2.2uH) 22μF*2(3.3uH)	73.3 kΩ	10 kΩ	10 kΩ	10-100pF

Bootstrap capacitor

A 0.1-μF ceramic capacitor is needed to supply power for the high-side N-MOSFET driver. The capacitor should be at least 10V.

Input capacitor

A typical 22-μF ceramic capacitor is needed to serve as the bulk capacitor at the VIN pin. An additional 0.1μF is strongly recommended to provide additional high frequency filtering and should be placed to the VIN pin and GND as close as possible.

Application Waveforms (Vin=12V, L=2.2uH, Cout=22uF*4)

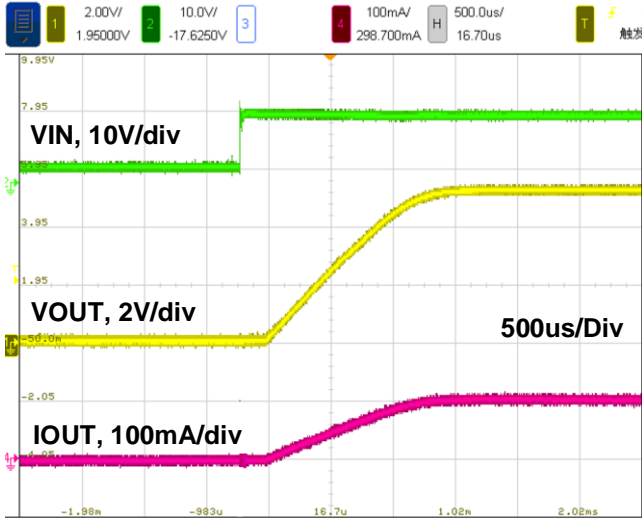


Figure 13. Startup by VIN, 50Ω load

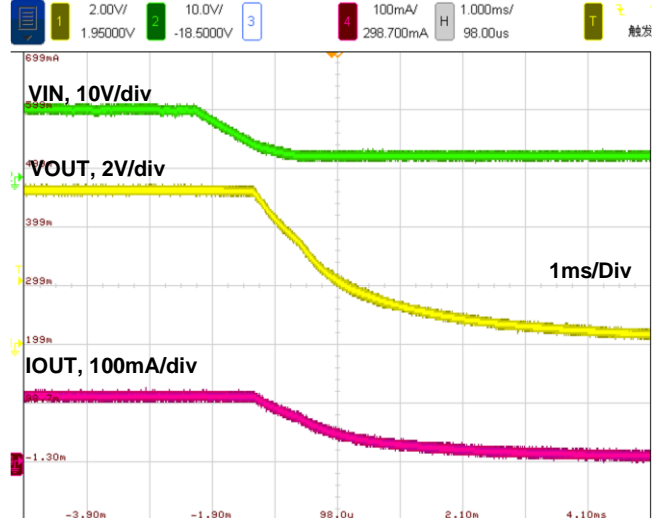


Figure 14. Shutdown by VIN, 50Ω load

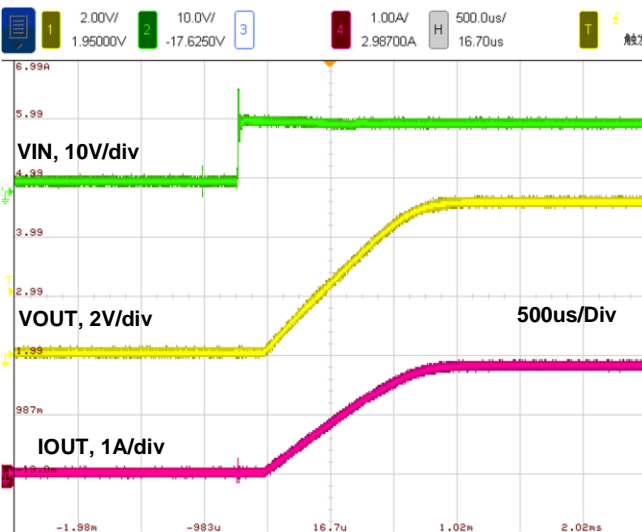


Figure 15. Startup by VIN, 3Ω load

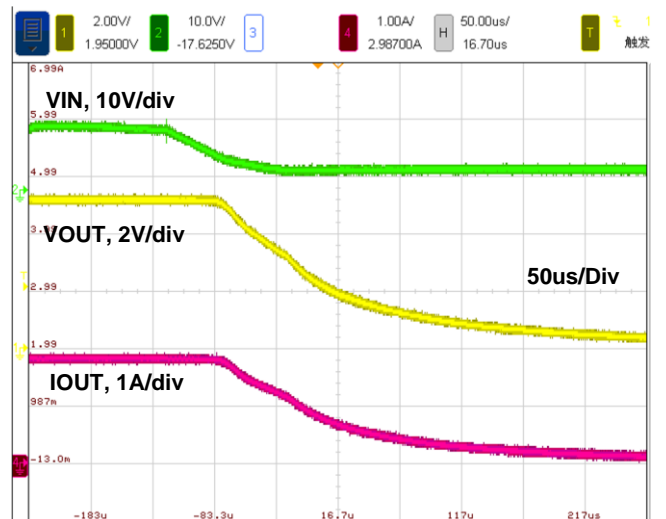


Figure 16. Shutdown by VIN, 3Ω load

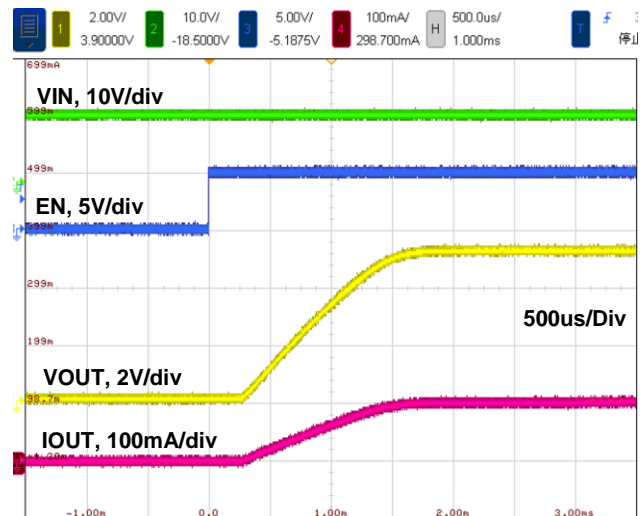


Figure 17. Startup by EN, 50Ω load

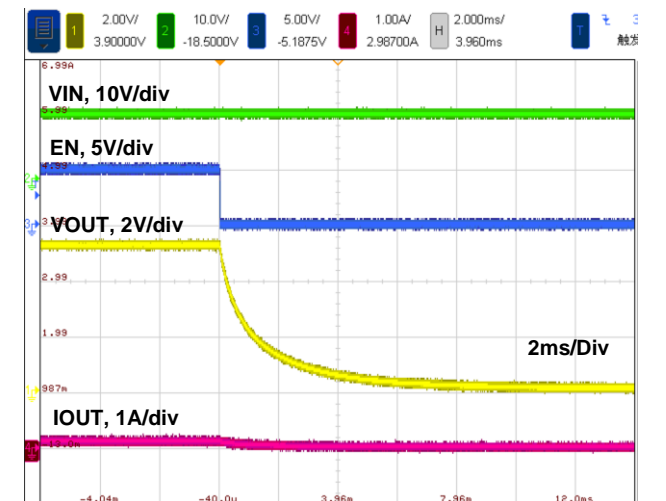


Figure 18. Shutdown by EN, 50Ω load

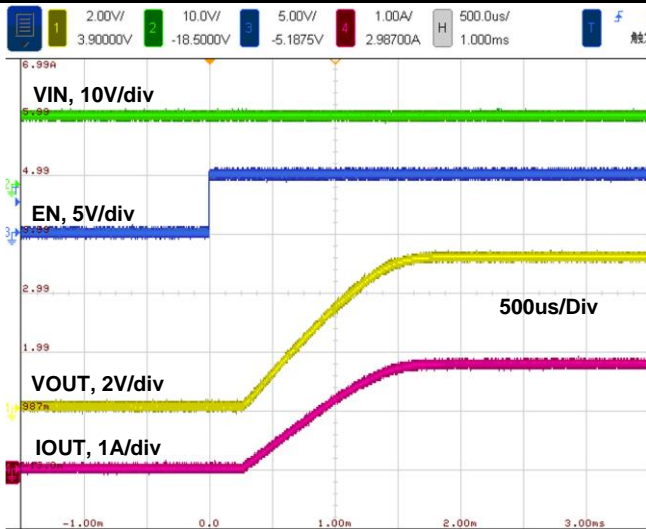


Figure 19. Startup by EN, 3Ω load

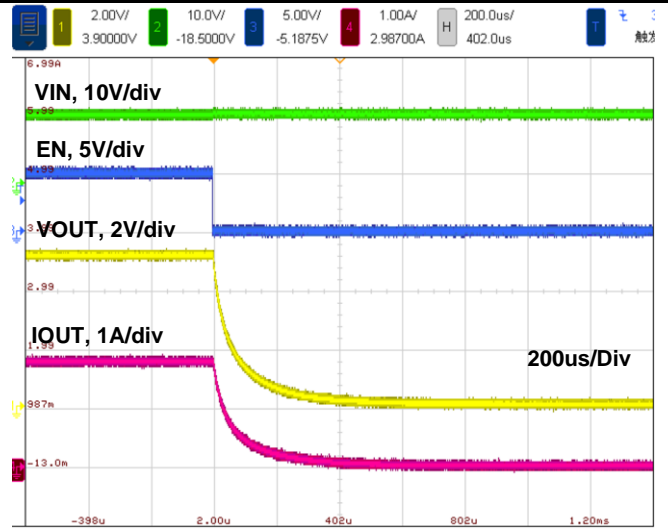


Figure 20. Shutdown by EN, 3Ω load

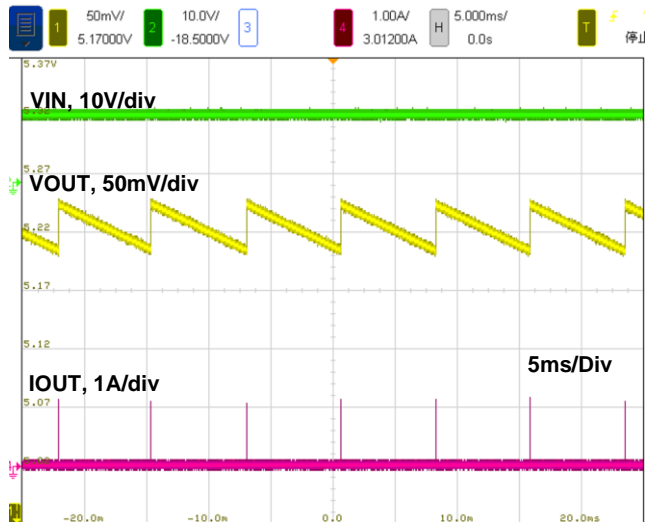


Figure 21. Switching Waveform, 0A load

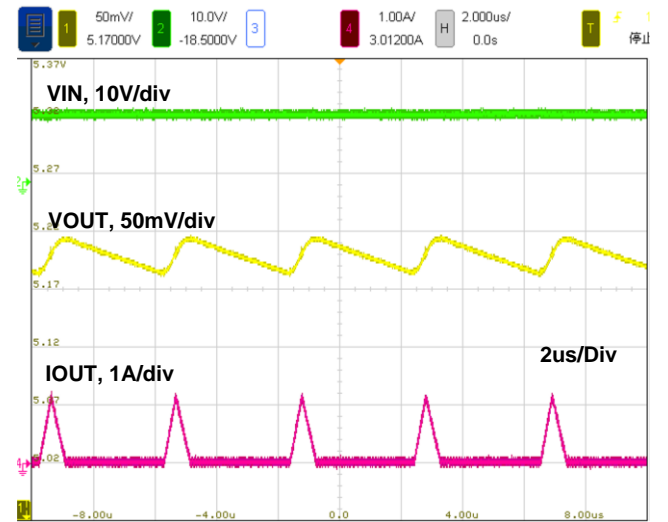


Figure 22. Switching Waveform, 100mA load

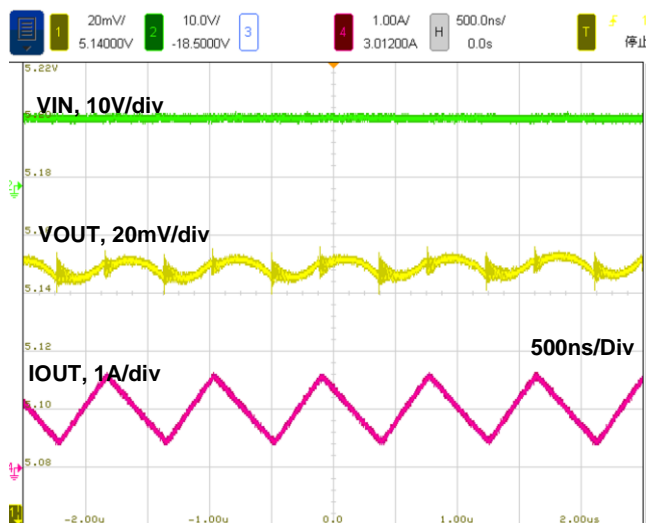


Figure 23. Switching Waveform, 1A load

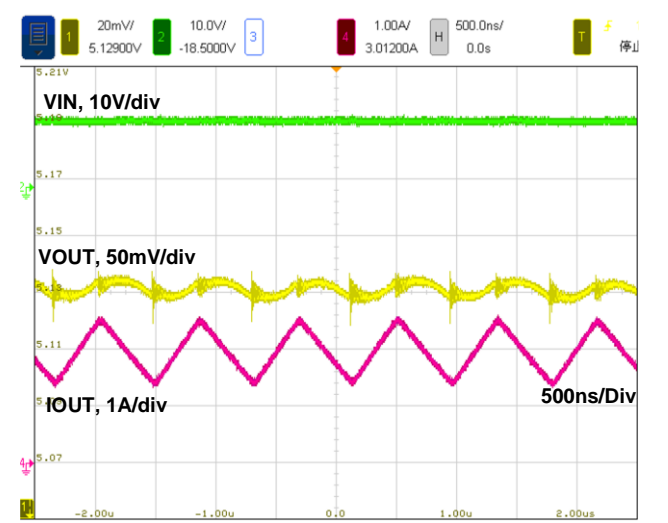


Figure 24. Switching Waveform, 2A load

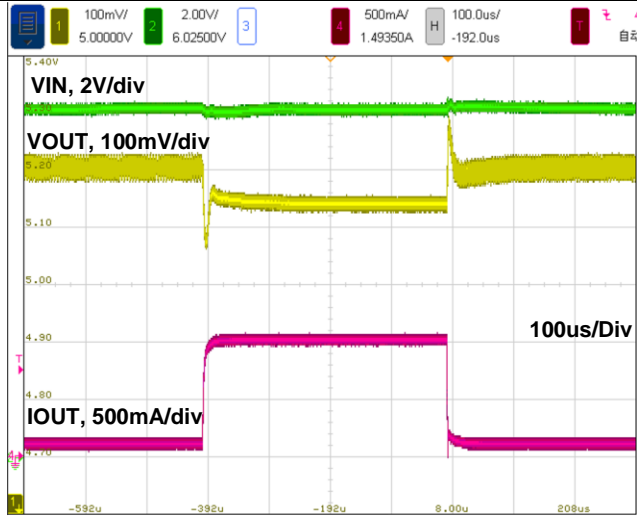


Figure 25. Load Transient, 0.1A-1A-0.1A

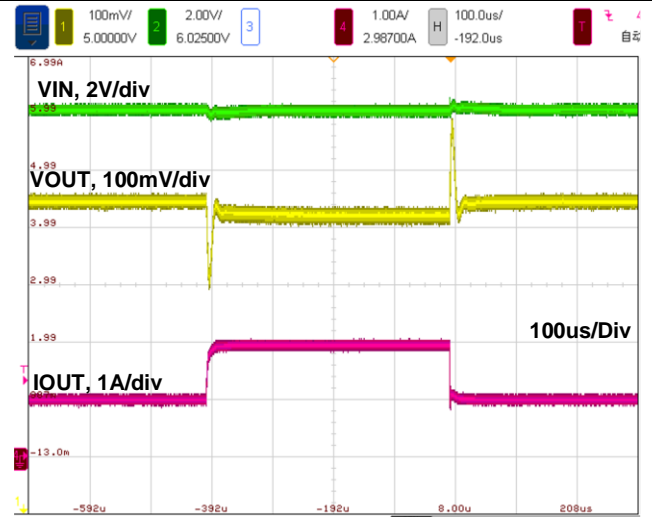


Figure 26. Load Transient, 1A-2A-1A



Figure 27. Load Transient, 0.2A-2A-0.2A

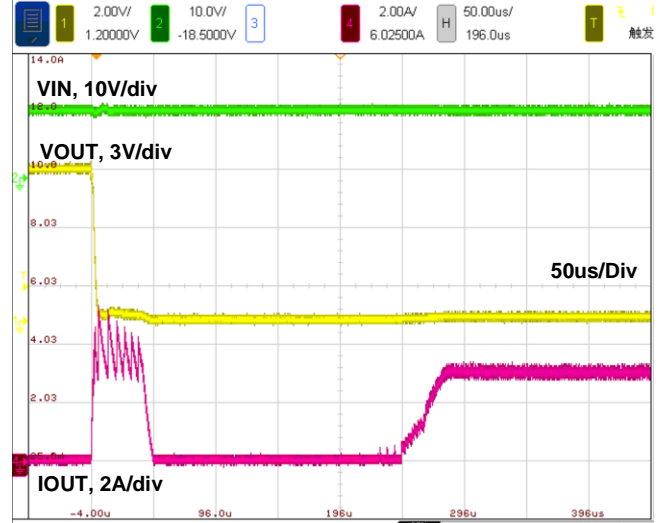


Figure 28. Current Limit Operation

PCB Layout Guidelines

Proper layout of the components to minimize high frequency current path loop is important to prevent electrical and magnetic field radiation and high frequency resonant problems. Follow this specific order carefully to achieve the proper layout.

- Place input capacitor (C₂ and C₄) as close as possible to VIN pin and GND pin and use shortest copper trace connection or GND plane.
- Put output capacitor near to the inductor output terminal and the device. Ground connections need to be tied to the IC ground with a short copper trace or GND plane
- Place inductor input terminal to SW pin as close as possible and limit SW node copper area to lower electrical and magnetic field radiation. Do not use multiple layers in parallel for this connection. Minimize parasitic capacitance from this area to any other trace or plane.
- R₁ is reserved to slow down the switching speed for noise sensitive applications and R₃ with higher than 1kΩ resistor should be soldered if the feedforward capacitor is soldered at the same time.

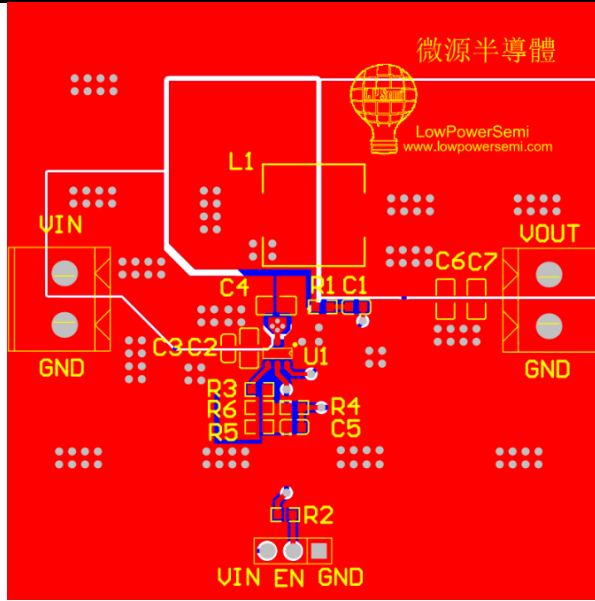


Figure 29 Layout example (LP6450T/LP6450M/LP6450TF)

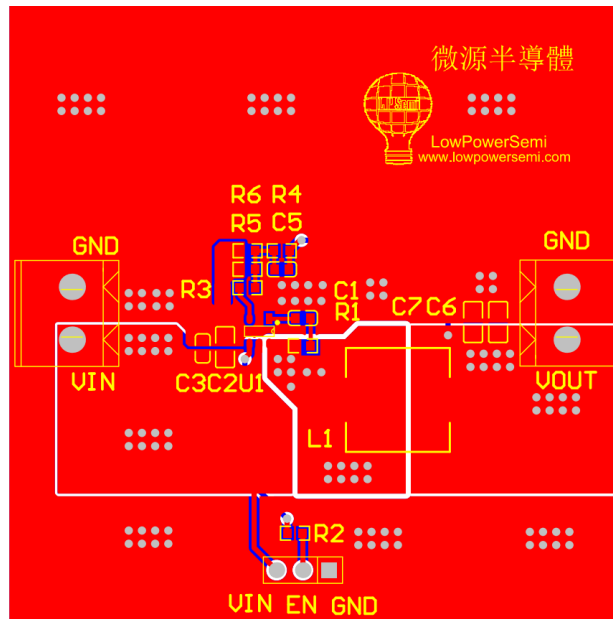
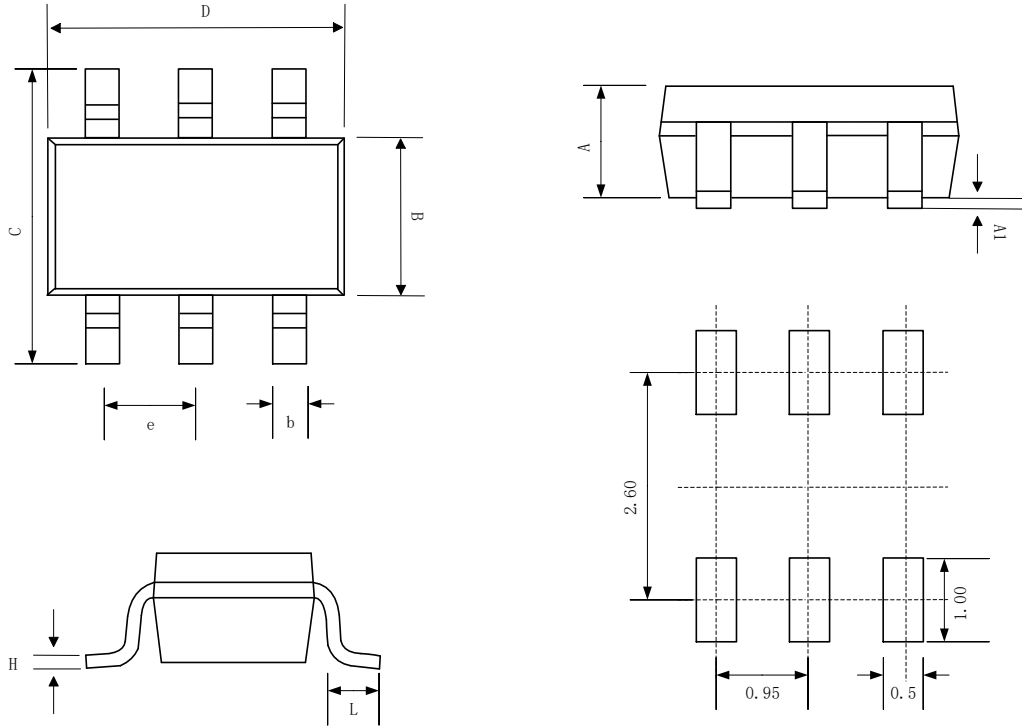


Figure 30 Layout example (LP6450/LP6450F)



Packaging Information

1.6x2.9 SOT23-6 package



Recommended Land Pattern

SYMBOL	MILLIMETER		
	MIN	NOM	MAX
A	0.889	1.100	1.295
A1	0.000	0.050	0.152
B	1.397	1.600	1.803
b	0.28	0.35	0.559
C	2.591	2.800	3.000
D	2.692	2.920	3.120
e	0.95BSC		
H	0.080	0.152	0.254
L	0.300	0.450	0.610



Revision History

Revision	Date	Change Description
Rev 1p0	10/5/2022	First release version
Rev 1p1	3/5/2023	<ol style="list-style-type: none">1. Add LP6450F and LP6450TF at page 22. Add FPWM Section at page 103. Add MSL level at page 2

单击下面可查看定价，库存，交付和生命周期等信息

[>>LOW POWER\(微源半导体\)](#)