

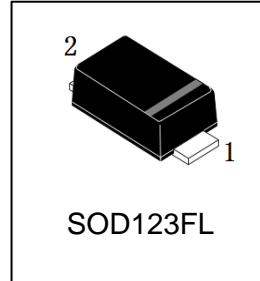
P4SODJ**A-SH

SURFACE MOUNT TRANSIENT VOLTAGE SUPPRESSOR

400 Watt Peak Pulse Power

Features

- * 400 W peak pulse power capability with a 10/1000 μ s waveform
- * Plastic package has Underwriters Laboratory Flammability Classification 94V-O
- * For surface mounted applications in order to optimize board space
- * Low profile package
- * Built-in strain relief
- * Glass passivated junction
- * Low inductance
- * Excellent clamping capability
- * Repetition Rate (duty cycle):0.01%
- * Fast response time: typically less than 1.0ps from 0 Volts to V(BR) for unidirectional types
- * Typical IR less than 1mA above 10V
- * We declare that the material of product compliance with RoHS requirements and Halogen Free.



Mechanical data

- * **Epoxy** : UL94-V0 rated flame retardant
- * **Case** : Molded plastic, SOD123-FL/MINI SMA
- * **Terminals** :Plated terminals, solderable per MIL-STD-750,Method 2026
- * **Polarity** : Indicated by cathode band; Bidirectional without color band.
- * **Mounting Position** : Any
- * **Weight** :15mg

1.Maximum ratings and Electrical Characteristics (Ta=25°C unless otherwise noted)

PARAMETER	SYMBOL	VALUE	UNITS
Complies with IEC 61000-4-2 standards: Air discharge Contact discharge	V_{ESD}	± 30 ± 30	KV
Peak Power Dissipation at $T_A=25^\circ\text{C}$, $T_P=10/1000 \mu\text{s}$	P_{PPM}	400	W
Thermal resistance(Note 1)	$R_{\theta JL}$	20	$^\circ\text{C}/\text{W}$
Peak Forward Surge Current, 8.3ms Single Half Sine-Wave Superimposed on Rated Load(JECED Method)	I_{FSM}	40	A
Operating Temperature Range	T_J	-55 to +150	$^\circ\text{C}$
Storage Temperature Range	T_{STG}	-55 to +150	$^\circ\text{C}$

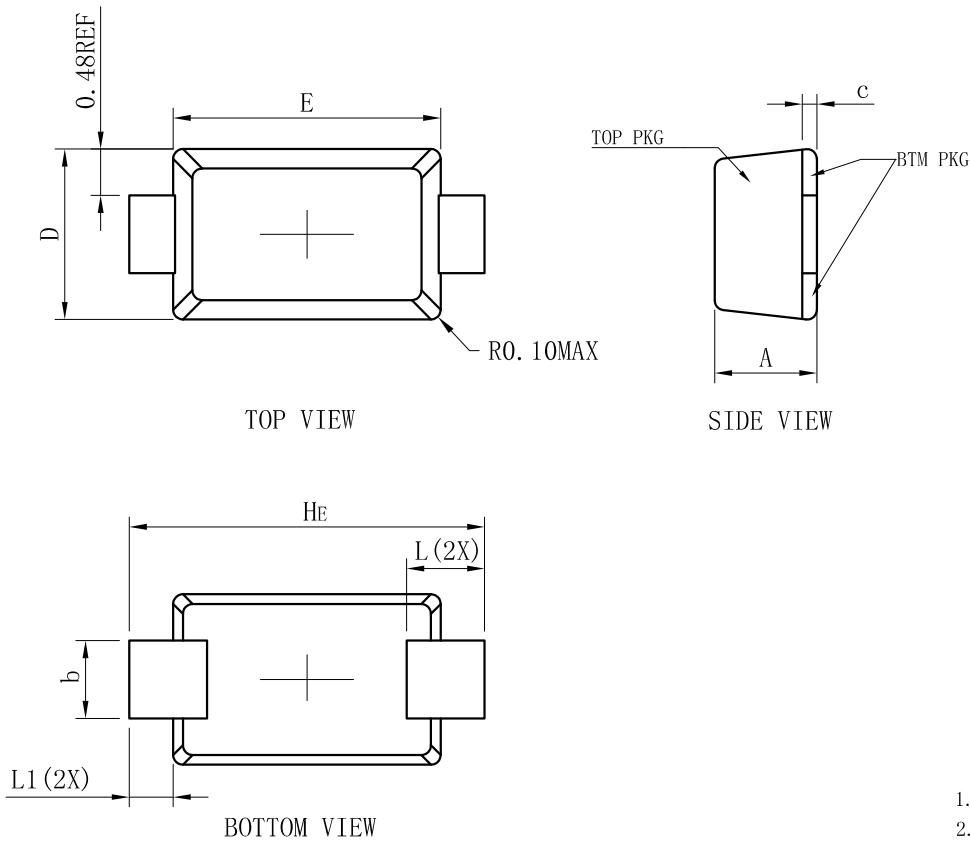
NOTES:

1. Mounted on infinite heat sink;

P4SODJ**A-SH

Uni-Directional Part Number	Device marking	Reverse Stand-off Voltage VRWM (V)	Breakdown Voltage VBR (V) Min. @IT	Breakdown Voltage VBR (V) Max. @IT	Test Current IT (mA)	Maximum Clamping Voltage @IPP VC (V)	Peak Pulse Current Ipp (A)	Reverse Leakage @VRWM IR (uA)
P4SODJ3.3A-SH	P3	3.30	5.20	6.00	10.00	8.50	47.0	1000
P4SODJ5.0A-SH	P5	5.00	6.40	7.00	10.00	9.20	43.5	800
P4SODJ6.0A-SH	P6A	6.00	6.67	7.37	10.00	10.30	38.8	800
P4SODJ6.5A-SH	P6	6.50	7.22	7.98	10.00	11.20	35.7	500
P4SODJ7.0A-SH	P7A	7.00	7.78	8.60	10.00	12.00	33.3	200
P4SODJ7.5A-SH	P7	7.50	8.33	9.21	1.00	12.90	31.0	100
P4SODJ8.0A-SH	P8A	8.00	8.89	9.83	1.00	13.60	29.4	50
P4SODJ8.5A-SH	P8	8.50	9.44	10.40	1.00	14.40	27.8	20
P4SODJ9.0A-SH	P9	9.00	10.00	11.10	1.00	15.40	26.0	10
P4SODJ10A-SH	P10	10.00	11.10	12.30	1.00	17.00	23.5	1
P4SODJ11A-SH	P11	11.00	12.20	13.50	1.00	18.20	22.0	1
P4SODJ12A-SH	P12	12.00	13.30	14.70	1.00	19.90	20.1	1
P4SODJ13A-SH	P13	13.00	14.40	15.90	1.00	21.50	18.6	1
P4SODJ14A-SH	P14	14.00	15.60	17.20	1.00	23.20	17.2	1
P4SODJ15A-SH	P15	15.00	16.70	18.50	1.00	24.40	16.4	1
P4SODJ16A-SH	P16	16.00	17.80	19.70	1.00	26.00	15.4	1
P4SODJ17A-SH	P17	17.00	18.90	20.90	1.00	27.60	14.5	1
P4SODJ18A-SH	P18	18.00	20.00	22.10	1.00	29.20	13.7	1
P4SODJ20A-SH	P20	20.00	22.20	24.50	1.00	32.40	12.3	1
P4SODJ22A-SH	P22	22.00	24.40	26.90	1.00	35.50	11.3	1
P4SODJ24A-SH	P24	24.00	26.70	29.50	1.00	38.90	10.3	1
P4SODJ26A-SH	P26	26.00	28.90	31.90	1.00	42.10	9.5	1
P4SODJ28A-SH	P28	28.00	31.10	34.40	1.00	45.40	8.8	1
P4SODJ30A-SH	P30	30.00	33.30	36.80	1.00	48.40	8.3	1
P4SODJ33A-SH	P33	33.00	36.70	40.60	1.00	53.30	7.5	1
P4SODJ36A-SH	P36	36.00	40.00	44.20	1.00	58.10	6.9	1
P4SODJ40A-SH	P40	40.00	44.40	49.10	1.00	64.50	6.2	1
P4SODJ43A-SH	P43	43.00	47.80	52.80	1.00	69.40	5.8	1
P4SODJ45A-SH	P45	45.00	50.00	55.30	1.00	72.70	5.5	1
P4SODJ48A-SH	P48	48.00	53.30	58.90	1.00	77.40	5.2	1
P4SODJ51A-SH	P51	51.00	56.70	62.70	1.00	82.40	4.9	1
P4SODJ54A-SH	P54	54.00	60.00	66.30	1.00	87.10	4.6	1
P4SODJ58A-SH	P58	58.00	64.40	71.20	1.00	93.60	4.3	1
P4SODJ60A-SH	P60	60.00	66.70	73.70	1.00	96.80	4.1	1
P4SODJ64A-SH	P64	64.00	71.10	78.60	1.00	103.00	3.9	1
P4SODJ70A-SH	P70	70.00	77.80	86.00	1.00	113.00	3.5	1
P4SODJ75A-SH	P75	75.00	83.30	92.10	1.00	121.00	3.3	1
P4SODJ78A-SH	P78	78.00	86.70	95.80	1.00	126.00	3.2	1
P4SODJ85A-SH	P85	85.00	94.40	104.00	1.00	137.00	2.9	1
P4SODJ90A-SH	P90	90.00	100.00	111.00	1.00	146.00	2.7	1
P4SODJ100A-SH	P100	100.00	111.00	123.00	1.00	162.00	2.5	1

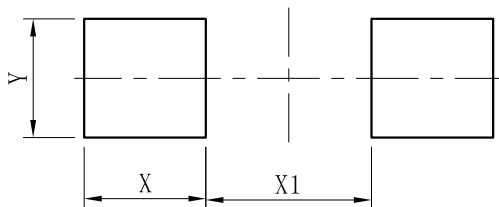
3. dimension:



GENERAL NOTES

1. Top package surface finish $Ra0.4 \pm 0.2 \mu m$
2. Bottom package surface finish $Ra0.7 \pm 0.2 \mu m$
3. Side package surface finish $Ra0.4 \pm 0.2 \mu m$

Suggested solder pad layout



DIM	(mm)
X	1.20
Y	1.10
X1	2.00

DISCLAIMER

- Before you use our Products, you are requested to carefully read this document and fully understand its contents. LRC shall not be in any way responsible or liable for failure, malfunction or accident arising from the use of any LRC's Products against warning, caution or note contained in this document.
- All information contained in this document is current as of the issuing date and subject to change without any prior notice. Before purchasing or using LRC's Products, please confirm the latest information with a LRC sales representative.

单击下面可查看定价，库存，交付和生命周期等信息

[>>LRC\(乐山无线电\)](#)