

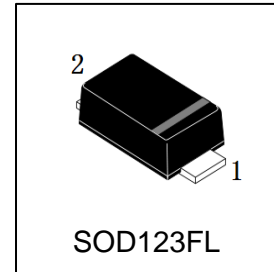
# LMBR0530FT1G

## S-LMBR0530FT1G

### Schottky Barrier Rectifiers

#### 1. FEATURES

- Low power losses, high efficiency.
- Guardring for over voltage protection.
- For use in low voltage high frequency inverters, free wheeling, and polarity protection applications
- We declare that the material of product compliance with RoHS requirements and Halogen Free.
- S- prefix for automotive and other applications requiring unique site and control change requirements; AEC-Q101 qualified and PPAP capable.



#### 2. DEVICE MARKING AND ORDERING INFORMATION

| Device       | Marking | Shipping       |
|--------------|---------|----------------|
| LMBR0530FT1G | 053     | 3000/Tape&Reel |

#### 3. MAXIMUM RATINGS(Ta = 25°C)

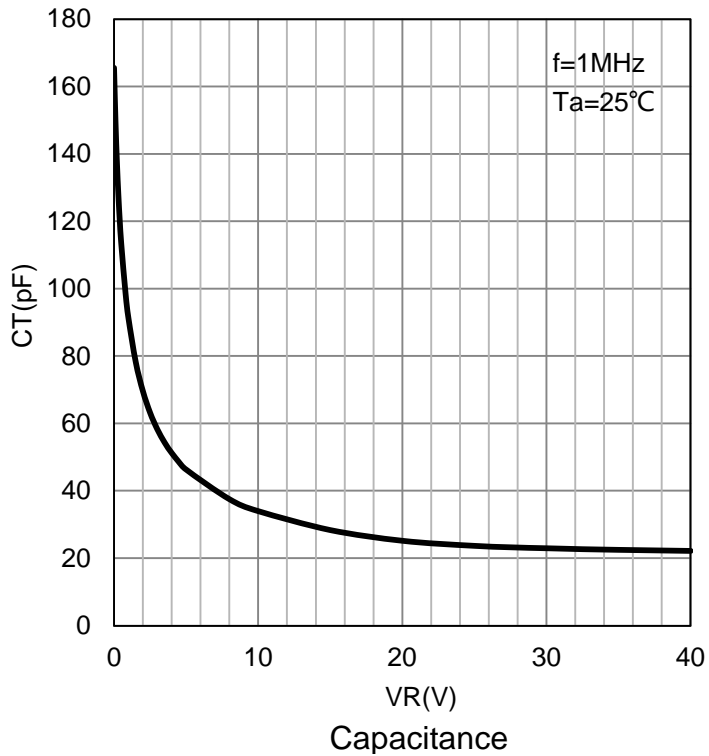
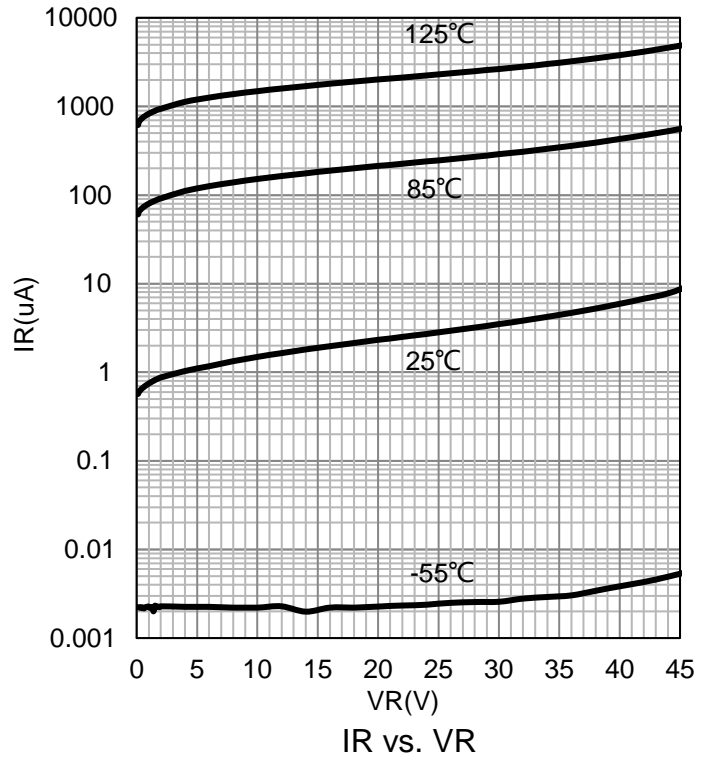
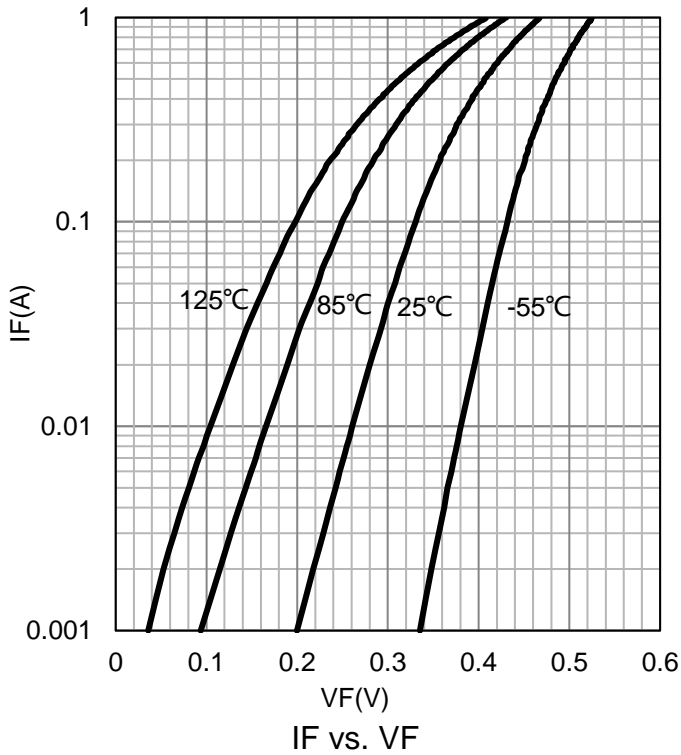
| Parameter  | Symbol       | Limits     | Unit |
|--|--------------|------------|------|
| Maximum repetitive peak reverse voltage  | VRRM         | 30         | V    |
| Maximum RMS voltage  | VRMS         | 21         | V    |
| Maximum DC blocking voltage  | VDC          | 30         | V    |
| Maximum average forward rectified current at TC = 75°C   | IF(AV)       | 0.5        | A    |
| Peak forward surge current 8.3ms single half sine-wave superimposed on rated load (JEDEC Method) | IFSM         | 30         | A    |
| Power Dissipation  | PD           | 400        | mW   |
| Typical thermal resistance (Note 1)  | RθJA<br>RθJL | 170<br>40  | °C/W |
| Operating junction temperature range   | TJ           | -55 ~ +125 | °C   |
| storage temperature range  | TSTG         | -65 ~ +175 | °C   |

1. 8.0mm<sup>2</sup> (.013mm thick) land areas

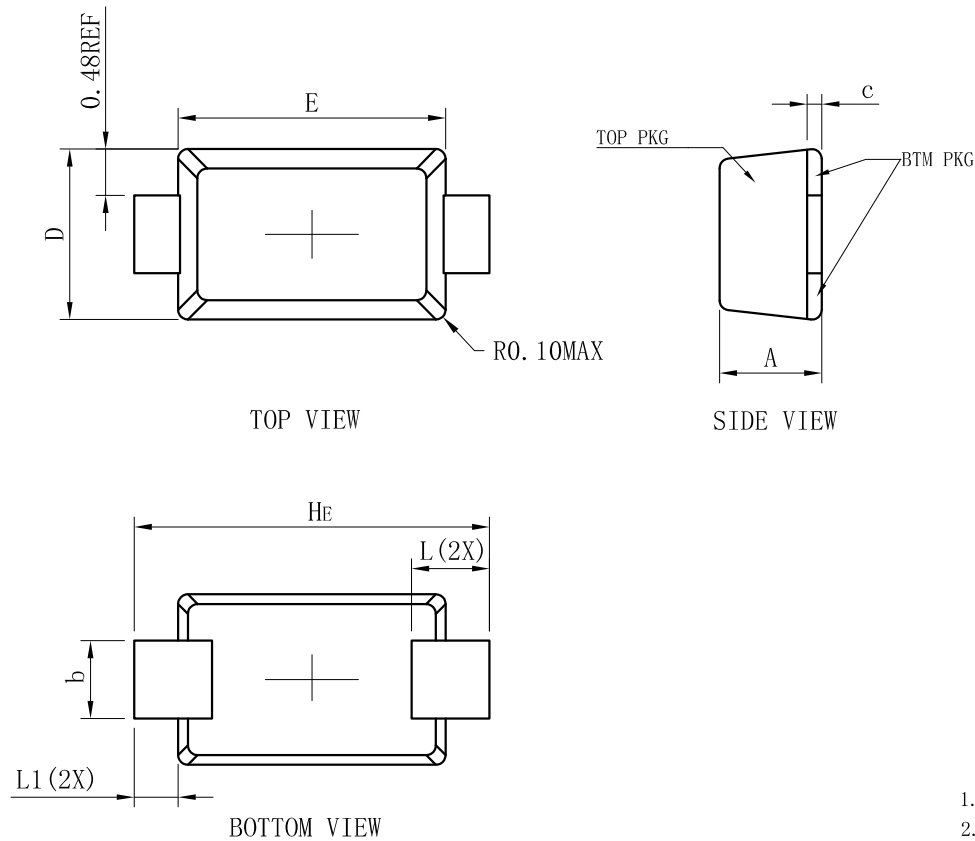
#### 4. ELECTRICAL CHARACTERISTICS (Ta= 25°C)

| Characteristic   | Symbol | Min. | Typ. | Max.  | Unit |
|--|--------|------|------|-------|------|
| Maximum instantaneous forward voltage<br>(IF = 0.1 A, TJ = 25°C)                     | VF     | -    | -    | 0.375 | V    |
| (IF = 0.5 A, TJ = 25°C)  |        | -    | -    | 0.45  |      |
| Maximum DC reverse current at rated DC blocking voltage<br>TA = 25 °C<br>Tj = 100 °C | IR     | -    | -    | 0.13  | mA   |
|  |        | -    | -    | 10    |      |
| Typical junction capacitance at 4.0V, 1MHz   | CJ     | -    | 51   | -     | PF   |

### 5. ELECTRICAL CHARACTERISTICS CURVES



### 6.OUTLINE AND DIMENSIONS

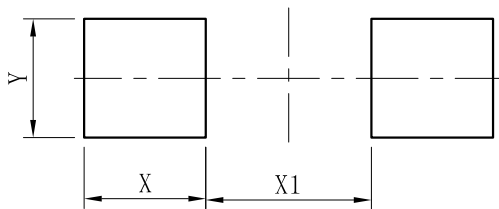


| SOD123FL             |      |      |      |
|----------------------|------|------|------|
| DIM                  | MIN  | NOR  | MAX  |
| A                    | 0.90 | 1.05 | 1.15 |
| b                    | 0.75 | 0.80 | 0.95 |
| L                    | 0.50 | 0.80 | 1.10 |
| E                    | 2.60 | 2.75 | 2.90 |
| D                    | 1.60 | 1.75 | 1.90 |
| HE                   | 3.50 | 3.65 | 3.80 |
| c                    | 0.12 | 0.17 | 0.22 |
| L1                   | 0.25 | 0.45 | 0.65 |
| All Dimensions in mm |      |      |      |

#### GENERAL NOTES

- 1.Top package surface finish Ra0.4±0.2um
- 2.Bottom package surface finish Ra0.7±0.2um
- 3.Side package surface finish Ra0.4±0.2um

### 7.SOLDERING FOOTPRINT



| DIM | (mm) |
|-----|------|
| X   | 1.20 |
| Y   | 1.10 |
| X1  | 2.00 |

## DISCLAIMER

- Before you use our Products, you are requested to carefully read this document and fully understand its contents. LRC shall not be in any way responsible or liable for failure, malfunction or accident arising from the use of any LRC's Products against warning, caution or note contained in this document.
- All information contained in this document is current as of the issuing date and subject to change without any prior notice. Before purchasing or using LRC's Products, please confirm the latest information with a LRC sales representative.

单击下面可查看定价，库存，交付和生命周期等信息

[>>LRC\(乐山无线电\)](#)