

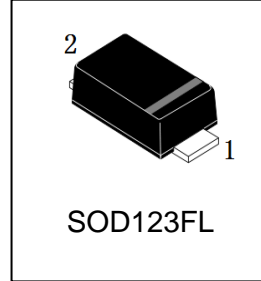
P4SODJ**CA-SH

SURFACE MOUNT TRANSIENT VOLTAGE SUPPRESSOR

400 Watt Peak Pulse Power

Features

- * 400 W peak pulse power capability with a 10/1000 μ s waveform
- * Low profile package
- * Built-in strain relief
- * Glass passivated junction
- * Low inductance
- * Excellent clamping capability
- * Repetition Rate (duty cycle):0.01%
- * Fast response time: typically less than 1.0ps from 0 Volts to V(BR) for unidirectional types
- * Typical IR less than 1mA above 10V
- * We declare that the material of product compliance with RoHS requirements and Halogen Free.



Mechanical data

- * **Epoxy** : UL94-V0 rated flame retardant
- * **Case** : Molded plastic, SOD123-FL/MINI SMA
- * **Terminals** :Plated terminals, solderable per MIL-STD-750,Method 2026
- * **Polarity** :Indicated by cathode band; Bidirectional without color band.
- * **Mounting Position** : Any
- * **Weight** :15mg

1.Maximum ratings and Electrical Characteristics(Ta=25°C unless otherwise noted)

PARAMETER	SYMBOL	VALUE	UNITS
Peak Power Dissipation at $T_A=25^\circ\text{C}$, $T_P=10/1000 \mu\text{s}$	P_{PPM}	400	Watts
Thermal resistance(Note 1)	$R_{\theta JL}$	20	$^\circ\text{C/W}$
Operating Temperature Range	T_J	-55 to +150	$^\circ\text{C}$
Storage Temperature Range	T_{STG}	-55 to +150	$^\circ\text{C}$

NOTES:

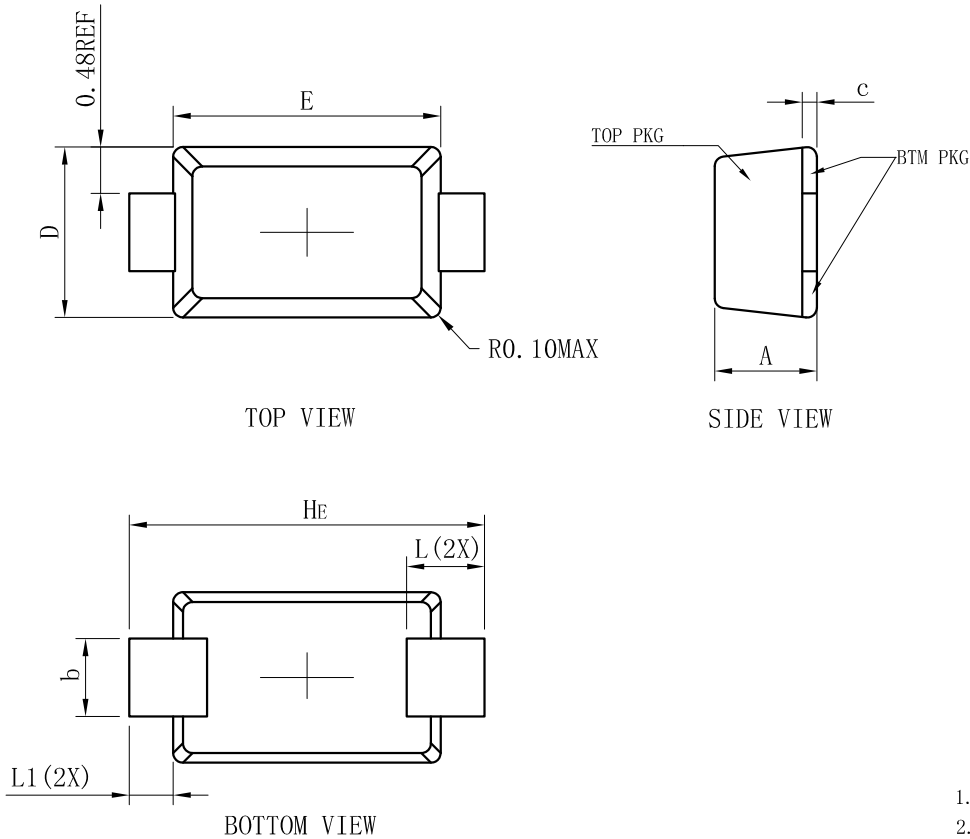
1. Mounted on infinite heat sink;

P4SODJ**CA-SH

Bidirectional- Directional Part Number	Device marking	Reverse Stand-off Voltage VRWM (V)	Breakdown Voltage VBR (V) Min. @IT	Breakdown Voltage VBR (V) Max. @IT	Test Current IT (mA)	Maximum Clamping Voltage @IPP VC (V)	Peak Pulse Current Ipp (A)	Reverse Leakage @VRWM IR (uA)
P4SODJ5.0CA-SH	R5	5.00	6.40	7.00	10.00	9.20	43.5	800
P4SODJ6.0CA-SH	R6A	6.00	6.67	7.37	10.00	10.30	38.8	800
P4SODJ6.5CA-SH	R6	6.50	7.22	7.98	10.00	11.20	35.7	500
P4SODJ7.0CA-SH	R7A	7.00	7.78	8.60	10.00	12.00	33.3	200
P4SODJ7.5CA-SH	R7	7.50	8.33	9.21	1.00	12.90	31.0	100
P4SODJ8.0CA-SH	R8A	8.00	8.89	9.83	1.00	13.60	29.4	50
P4SODJ8.5CA-SH	R8	8.50	9.44	10.40	1.00	14.40	27.8	20
P4SODJ9.0CA-SH	R9	9.00	10.00	11.10	1.00	15.40	26.0	10
P4SODJ10CA-SH	R10	10.00	11.10	12.30	1.00	17.00	23.5	1
P4SODJ11CA-SH	R11	11.00	12.20	13.50	1.00	18.20	22.0	1
P4SODJ12CA-SH	R12	12.00	13.30	14.70	1.00	19.90	20.1	1
P4SODJ13CA-SH	R13	13.00	14.40	15.90	1.00	21.50	18.6	1
P4SODJ14CA-SH	R14	14.00	15.60	17.20	1.00	23.20	17.2	1
P4SODJ15CA-SH	R15	15.00	16.70	18.50	1.00	24.40	16.4	1
P4SODJ16CA-SH	R16	16.00	17.80	19.70	1.00	26.00	15.4	1
P4SODJ17CA-SH	R17	17.00	18.90	20.90	1.00	27.60	14.5	1
P4SODJ18CA-SH	R18	18.00	20.00	22.10	1.00	29.20	13.7	1
P4SODJ20CA-SH	R20	20.00	22.20	24.50	1.00	32.40	12.3	1
P4SODJ22CA-SH	R22	22.00	24.40	26.90	1.00	35.50	11.3	1
P4SODJ24CA-SH	R24	24.00	26.70	29.50	1.00	38.90	10.3	1
P4SODJ26CA-SH	R26	26.00	28.90	31.90	1.00	42.10	9.5	1
P4SODJ28CA-SH	R28	28.00	31.10	34.40	1.00	45.40	8.8	1
P4SODJ30CA-SH	R30	30.00	33.30	36.80	1.00	48.40	8.3	1
P4SODJ33CA-SH	R33	33.00	36.70	40.60	1.00	53.30	7.5	1
P4SODJ36CA-SH	R36	36.00	40.00	44.20	1.00	58.10	6.9	1
P4SODJ40CA-SH	R40	40.00	44.40	49.10	1.00	64.50	6.2	1
P4SODJ43CA-SH	R43	43.00	47.80	52.80	1.00	69.40	5.8	1
P4SODJ45CA-SH	R45	45.00	50.00	55.30	1.00	72.70	5.5	1
P4SODJ48CA-SH	R48	48.00	53.30	58.90	1.00	77.40	5.2	1
P4SODJ51CA-SH	R51	51.00	56.70	62.70	1.00	82.40	4.9	1
P4SODJ54CA-SH	R54	54.00	60.00	66.30	1.00	87.10	4.6	1
P4SODJ58CA-SH	R58	58.00	64.40	71.20	1.00	93.60	4.3	1
P4SODJ60CA-SH	R60	60.00	66.70	73.70	1.00	96.80	4.1	1
P4SODJ64CA-SH	R64	64.00	71.10	78.60	1.00	103.00	3.9	1
P4SODJ70CA-SH	R70	70.00	77.80	86.00	1.00	113.00	3.5	1
P4SODJ75CA-SH	R75	75.00	83.30	92.10	1.00	121.00	3.3	1
P4SODJ78CA-SH	R78	78.00	86.70	95.80	1.00	126.00	3.2	1
P4SODJ85CA-SH	R85	85.00	94.40	104.00	1.00	137.00	2.9	1
P4SODJ90CA-SH	R90	90.00	100.00	111.00	1.00	146.00	2.7	1
P4SODJ100CA-SH	R100	100.00	111.00	123.00	1.00	162.00	2.5	1

P4SODJ**CA-SH

3. dimension:

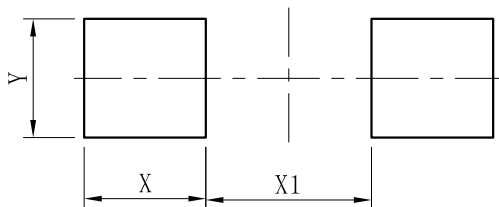


SOD123FL			
DIM	MIN	NOR	MAX
A	0.90	1.05	1.15
b	0.75	0.80	0.95
L	0.50	0.80	1.10
E	2.60	2.75	2.90
D	1.60	1.75	1.90
H_E	3.50	3.65	3.80
c	0.12	0.17	0.22
L1	0.25	0.45	0.65
All Dimensions in mm			

GENERAL NOTES

1. Top package surface finish $Ra0.4\pm0.2\mu\text{m}$
2. Bottom package surface finish $Ra0.7\pm0.2\mu\text{m}$
3. Side package surface finish $Ra0.4\pm0.2\mu\text{m}$

Suggested solder pad layout



DIM	(mm)
X	1.20
Y	1.10
X1	2.00

DISCLAIMER

- Before you use our Products, you are requested to carefully read this document and fully understand its contents. LRC shall not be in any way responsible or liable for failure, malfunction or accident arising from the use of any LRC's Products against warning, caution or note contained in this document.
- All information contained in this document is current as of the issuing date and subject to change without any prior notice. Before purchasing or using LRC's Products, please confirm the latest information with a LRC sales representative.

单击下面可查看定价，库存，交付和生命周期等信息

[>>LRC\(乐山无线电\)](#)