

# LR1CANLT1G

## S-LR1CANLT1G

### ESD Protection Diode

#### 1. FEATURES

- Ultra low leakage: nA level.
- Low clamping voltage.
- Complies with IEC 61000-4-2 standards: Air discharge:  $\pm 30\text{kV}$   
Contact discharge:  $\pm 30\text{kV}$
- We declare that the material of product compliance with RoHS requirements and Halogen Free.
- S- Prefix for Automotive and Other Applications Requiring Unique Site and Control Change Requirements; AEC-Q101 Qualified and PPAP Capable.

#### 2. APPLICATIONS

- CAN bus protection
- Automotive applications

#### 3. DEVICE MARKING AND ORDERING INFORMATION

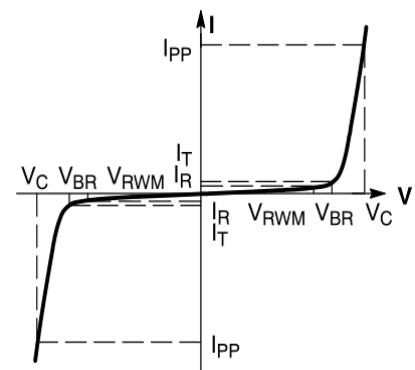
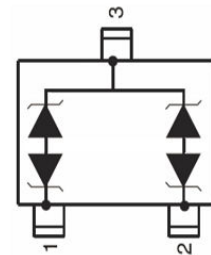
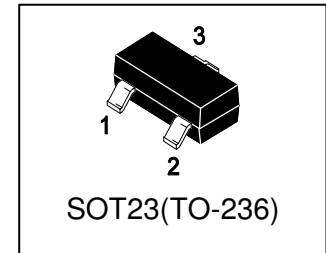
Device	Marking	Shipping
LR1CANLT1G	CAN	3000/Tape&Reel

#### 4. MAXIMUM RATINGS( $T_a = 25^\circ\text{C}$ )

Parameter	Symbol	Limits	Unit
IEC 61000-4-2 (ESD) Contact		$\pm 30$	kV
Air		$\pm 30$	
peak pulse power@8/20 $\mu\text{s}$	PPP	200	W
peak pulse current @8/20 $\mu\text{s}$	IPP	3	A
Storage Temperature Range	Tstg	$-55 \sim +150$	$^\circ\text{C}$
Junction Temperature Range	TJ	$-55 \sim +150$	$^\circ\text{C}$

#### 5. ELECTRICAL CHARACTERISTICS ( $T_a = 25^\circ\text{C}$ )

Symbol	Parameter
IPP	Maximum Reverse Peak Pulse Current
VC	Clamping Voltage @ IPP
VRWM	Working Peak Reverse Voltage
IR	Maximum Reverse Leakage Current @ VRWM
VBR	Breakdown Voltage @ IT
IT	Test Current
IF	Forward Current
VF	Forward Voltage @ IF
Ppk	Peak Power Dissipation
C	Capacitance @ VR = 0 and f = 1.0 MHz



**6. ELECTRICAL CHARACTERISTICS (Ta= 25°C)**

Characteristic	Symbol	Min.	Typ.	Max.	Unit
reverse stand-off voltage	VRWM	-	-	24	V
reverse leakage current (VRWM = 24 V, Pin 1、 2to Pin 3) (VRWM = 24 V, Pin 3 to Pin 1、 2)	IRM	- -	- -	200 200	nA
breakdown voltage (IT = 5 mA, Pin 1、 2to Pin 3 ) (IT = 5 mA, Pin 3 to Pin 1、 2 )	VBR	25.4 25.4	- -	32.5 32.5	V
Clamping Voltage (IPP = 1A (8 x 20µs pulse)) (IPP = 3A (8 x 20µs pulse))	VC	- -	- -	33 36	V
Junction Capacitance (VR = 0V, f = 1MHz)	CJ	-	20	25	pF

## 7.ELECTRICAL CHARACTERISTICS CURVES

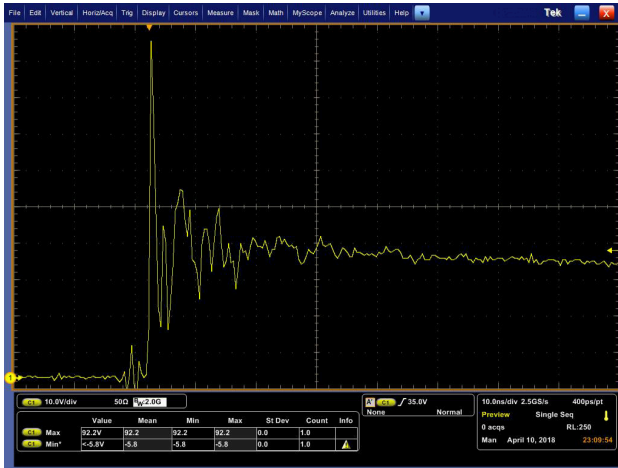


Figure 1.ESD Clamping Voltage Screenshot Positive 8 kV Contact per IEC61000-4-2

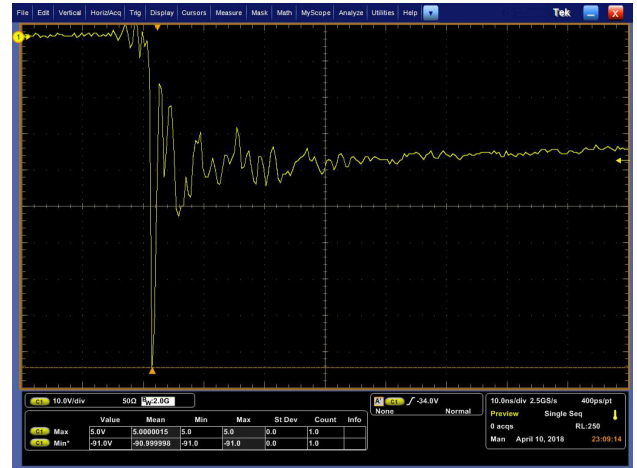


Figure 2.ESD Clamping Voltage Screenshot Negative 8 kV Contact per IEC61000-4-2

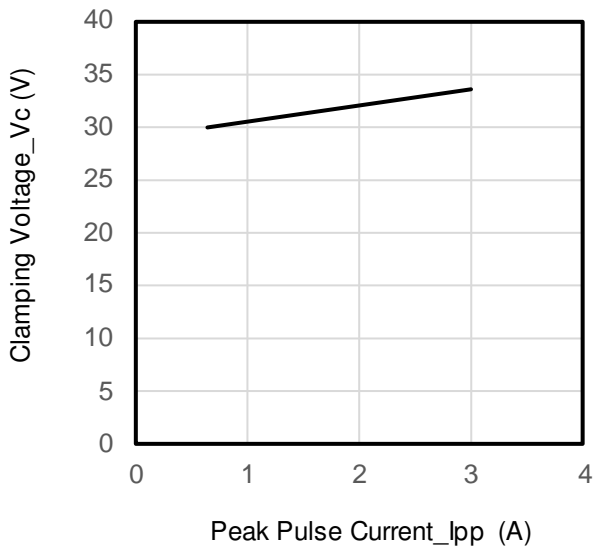
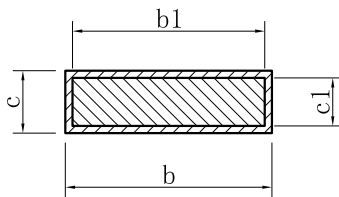
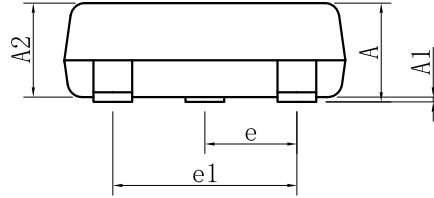
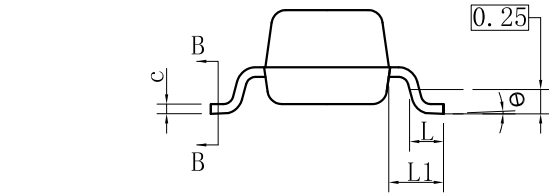
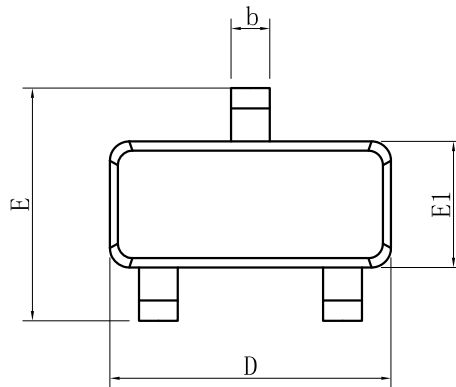


Fig 3 .Clamping Voltage vs. Peak Pulse Current

### 8.OUTLINE AND DIMENSIONS



SECTION B-B

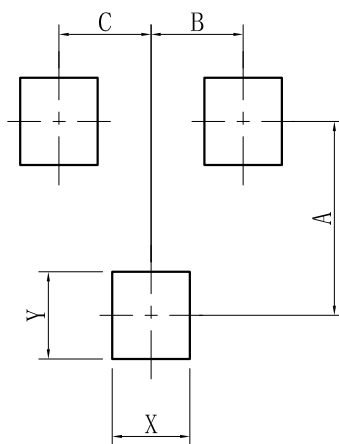


SOT23			
DIM	MIN	NOR	MAX
A	0.89	-	1.12
A1	0.01	-	0.10
A2	0.88	0.95	1.02
b	0.30	-	0.50
b1	0.30	0.40	0.45
c	0.08	-	0.20
c1	0.08	0.10	0.16
D	2.80	2.90	3.04
E	2.10	-	2.64
E1	1.20	1.30	1.40
e	0.95BSC		
e1	1.90BSC		
L	0.40	0.46	0.60
L1	0.54REF		
θ	0°	-	8°
All Dimensions in mm			

#### GENERAL NOTES

1. Top package surface finish Ra0.4±0.2um
2. Bottom package surface finish Ra0.7±0.2um
3. Side package surface finish Ra0.4±0.2um

### 9.SOLDERING FOOTPRINT



SOT-23	
DIM	(mm)
X	0.80
Y	0.90
A	2.00
B	0.95
C	0.95

## **DISCLAIMER**

- Curve guarantee in the specification. The curve of test items with electric parameter is used as quality guarantee. The curve of test items without electric parameter is used as reference only.
- Before you use our Products for new Project, you are requested to carefully read this document and fully understand its contents. LRC shall not be in any way responsible or liable for failure, malfunction or accident arising from the use of any LRC's Products against warning, caution or note contained in this document.
- All information contained in this document is current as of the issuing date and subject to change without any prior notice. Before purchasing or using LRC's Products, please confirm the latest information with a LRC sales representative.

单击下面可查看定价，库存，交付和生命周期等信息

[>>LRC\(乐山无线电\)](#)