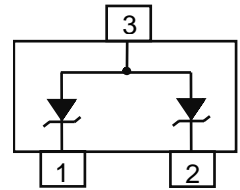
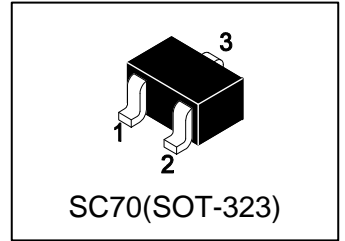


S-LESD32L05T1G

ESD Protection Diode

1. FEATURES

- Low Capacitance
- Low Leakage
- ESD protection
- Complies with IEC 61000-4-2 standards: Air discharge: $\pm 30\text{kV}$
Contact discharge: $\pm 30\text{kV}$
- We declare that the material of product compliance with RoHS requirements and Halogen Free.
- S-prefix for automotive and other applications requiring unique site and control change requirements; AEC-Q101 qualified and PPAP capable.



2. DEVICE MARKING AND ORDERING INFORMATION

| Device | Marking | Shipping |
|----------------|---------|----------------|
| S-LESD32L05T1G | 5E | 3000/Tape&Reel |

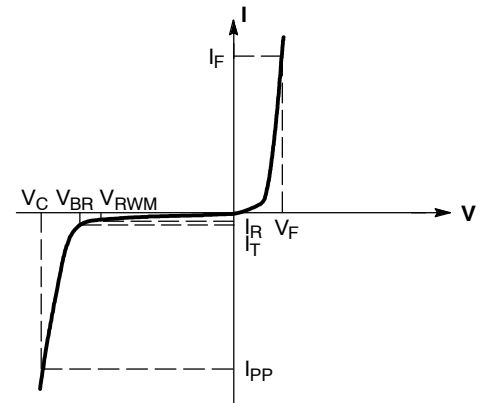
3. MAXIMUM RATINGS($T_a = 25^\circ\text{C}$)

| Parameter | Symbol | Limits | Unit |
|---|--------|-----------------|------------------|
| IEC 61000-4-2 (ESD) Contact | | ± 30 | kV |
| Air | | ± 30 | |
| peak pulse power @8/20 μs (Note 1) | PPP | 50 | W |
| peak pulse current @8/20 μs (Note 1) | IPP | 4 | A |
| Storage Temperature Range | Tstg | $-55 \sim +150$ | $^\circ\text{C}$ |
| Junction Temperature Range | TJ | $-55 \sim +150$ | $^\circ\text{C}$ |

Note 1. Surge current waveform per Figure 1 according to IEC 61000-4-5.

4. ELECTRICAL CHARACTERISTICS (Ta= 25°C)

| Symbol | Parameter |
|--------|--|
| IPP | Maximum Reverse Peak Pulse Current |
| VC | Clamping Voltage @ IPP |
| VRWM | Working Peak Reverse Voltage |
| IR | Maximum Reverse Leakage Current @ VRWM |
| VBR | Breakdown Voltage @ IT |
| IT | Test Current |
| IF | Forward Current |
| VF | Forward Voltage @ IF |
| Ppk | Peak Power Dissipation |
| C | Capacitance @ VR = 0 and f = 1.0 MHz |



Uni-Directional TVS

5. ELECTRICAL CHARACTERISTICS (Ta= 25°C)

| Characteristic | Symbol | Test Condition | Min. | Typ. | Max. | Unit |
|---------------------------|--------|---------------------|------|------|------|------|
| Reverse stand-off voltage | VRWM | | | | 5 | V |
| Breakdown Voltage | VBR | IT = 1mA | 5.5 | | 8.5 | V |
| Reverse leakage current | IR | VR = 5V | | | 500 | nA |
| Forward Voltage | VF | IF = 10mA | | | 1.2 | V |
| Clamping Voltage(Note 1) | VC1 | IPP = 4A, tp=8/20µs | | | 13 | V |
| Clamping Voltage,TLP | VC2 | IPP= 4 A, tp=100ns | | 9 | | V |
| | | IPP= 8 A, tp=100ns | | 11 | | |
| | | IPP= 16 A, tp=100ns | | 13 | | |
| Dynamic resistance | RDYN | | | 0.4 | | Ω |
| Junction Capacitance | Cj | VR = 0V, f = 1MHz | | | 0.8 | pF |

Note 1.Surge current waveform per Figure 1 according to IEC 61000-4-5.

6. ELECTRICAL CHARACTERISTICS CURVES

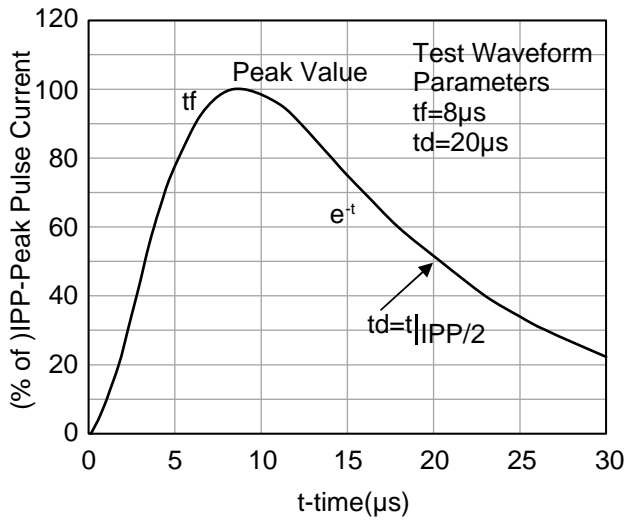


Figure 1. Pulse Waveform according to IEC 61000-4-5

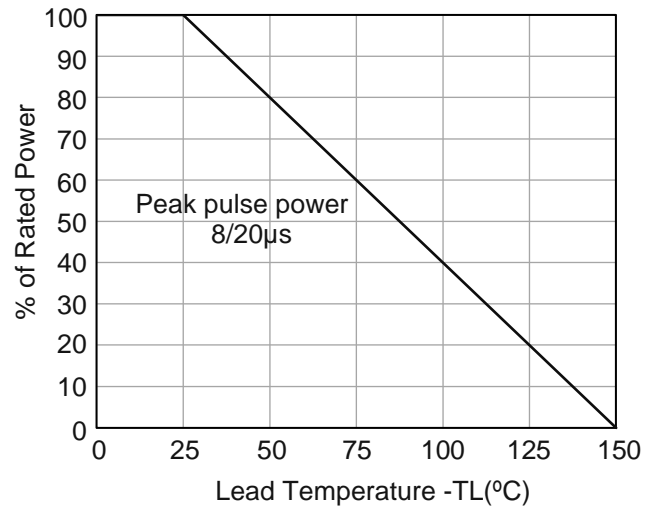


Figure 2. Power Derating Curve

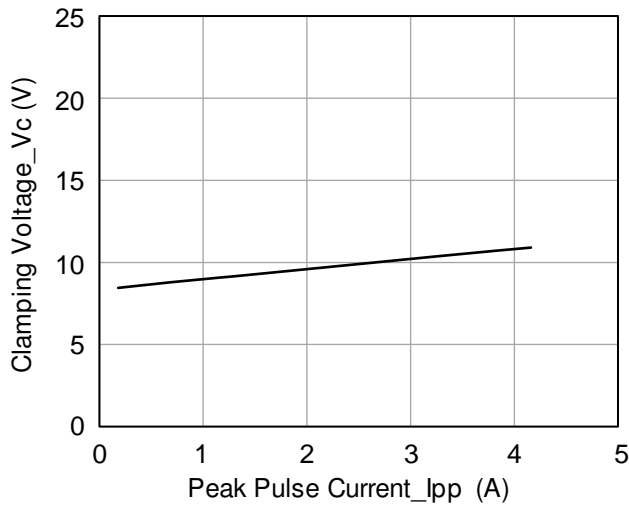


Figure 3. Clamping Voltage vs. Peak Pulse Current according to IEC 61000-4-5.

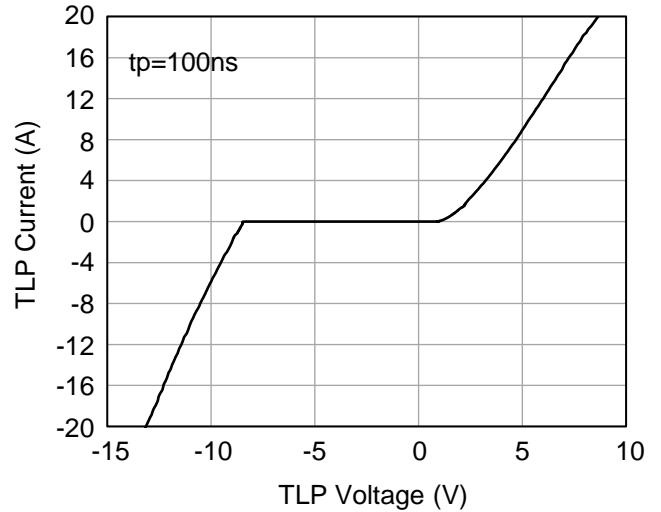
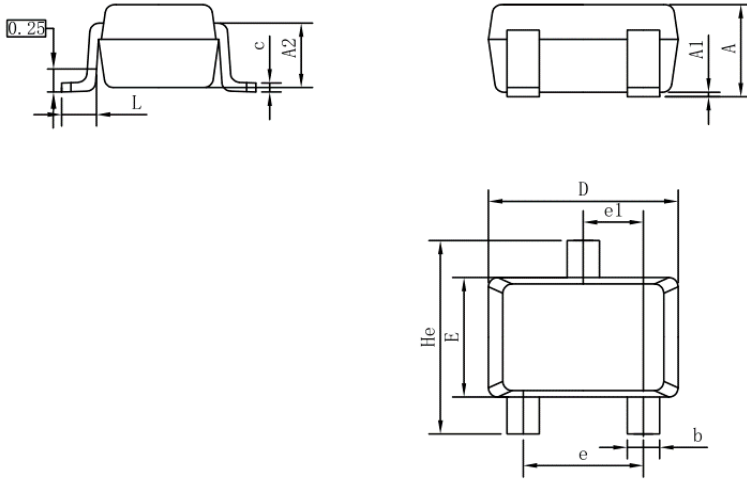


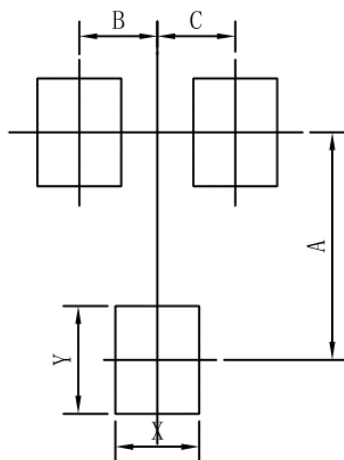
Figure 4. TLP Measurement

7. OUTLINE AND DIMENSIONS



| SC70 | | | |
|---------------------|----------|------|------|
| DIM | MIN | NOR | MAX |
| A | 0.80 | 0.95 | 1.00 |
| A1 | 0.00 | 0.05 | 0.10 |
| A2 | 0.7 REF | | |
| b | 0.30 | 0.35 | 0.40 |
| c | 0.10 | 0.15 | 0.25 |
| D | 1.80 | 2.05 | 2.20 |
| E | 1.15 | 1.30 | 1.35 |
| e | 1.20 | 1.30 | 1.40 |
| e1 | 0.65 BSC | | |
| L | 0.20 | 0.35 | 0.56 |
| He | 2.00 | 2.10 | 2.40 |
| ALL Dimension in mm | | | |

8. SOLDERING FOOTPRINT



| SC70 | |
|------|------|
| DIM | MIN |
| A | 1.90 |
| B | 0.65 |
| C | 0.65 |
| X | 0.70 |
| Y | 0.90 |

DISCLAIMER

- Curve guarantee in the specification. The curve of test items with electric parameter is used as quality guarantee. The curve of test items without electric parameter is used as reference only.
- Before you use our Products for new Project, you are requested to carefully read this document and fully understand its contents. LRC shall not be in any way responsible or liable for failure, malfunction or accident arising from the use of any LRC's Products against warning, caution or note contained in this document.
- All information contained in this document is current as of the issuing date and subject to change without any prior notice. Before purchasing or using LRC's Products, please confirm the latest information with a LRC sales representative.

单击下面可查看定价，库存，交付和生命周期等信息

[>>LRC\(乐山无线电\)](#)