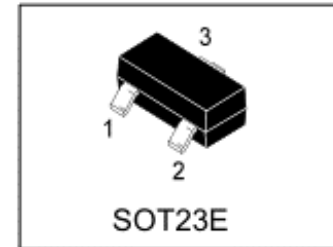


S-LN2316ELT1G

N-Channel 20V (D-S) MOSFET , ESD Protection

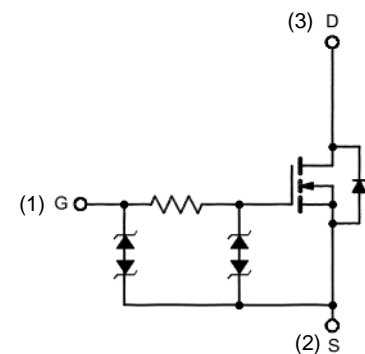
1. FEATURES

- RDS(ON) < 25mΩ @VGS =4.5V
- RDS(ON) < 29 mΩ @VGS =2.5V
- RDS(ON) < 42 mΩ @VGS =1.8V
- We declare that the material of product compliance with RoHS requirements and Halogen Free.
- Exceptional on-resistance and maximum DC current capability.
- S-prefix for automotive and other applications requiring unique site and control change requirements; AEC-Q101 qualified and PPAP capable.



2. APPLICATIONS

- Power Management in Note book
- Portable Equipment
- Battery Powered System
- Load Switch



3. DEVICE MARKING AND ORDERING INFORMATION

Device	Marking	Shipping
S-LN2316ELT1G	N16	3000/Tape&Reel

4. MAXIMUM RATINGS(Ta = 25°C)

Parameter	Symbol	Limits	Unit	
Drain-Source Voltage	VDSS	20	V	
Gate-to-Source Voltage – Continuous	VGS	±8	V	
Continuous Drain Current	ID	TA =25°C	6.4	A
		TA =70°C	5.1	
Pulsed Drain Current	IDM	26	A	
Maximum Power Dissipation	PD	TA =25°C	1.1	W
		TA =70°C	0.7	
Operating Junction Temperature	TJ	-55~+150	°C	
Thermal Resistance-Junction to Ambient(Note 1)	RθJA	110	°C/W	
Thermal Resistance-Junction to Case	RθJC	80	°C/W	

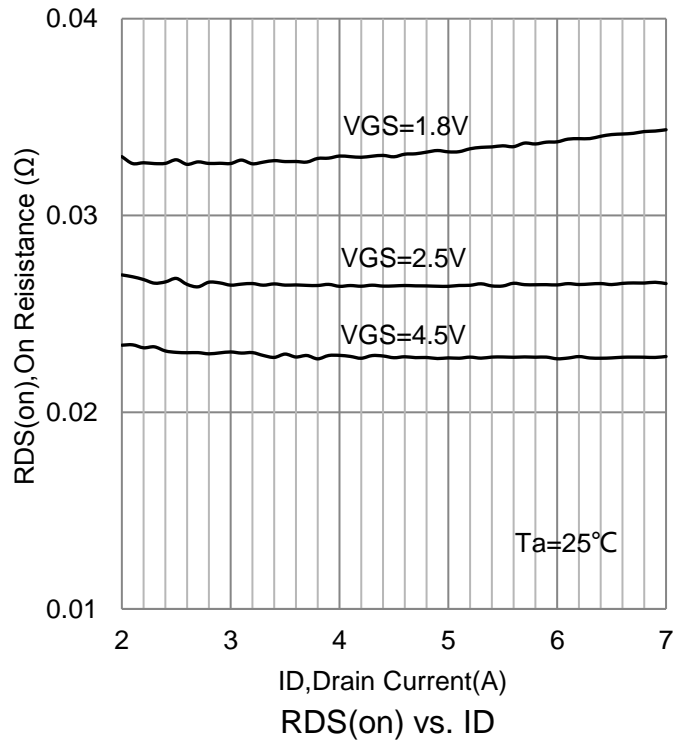
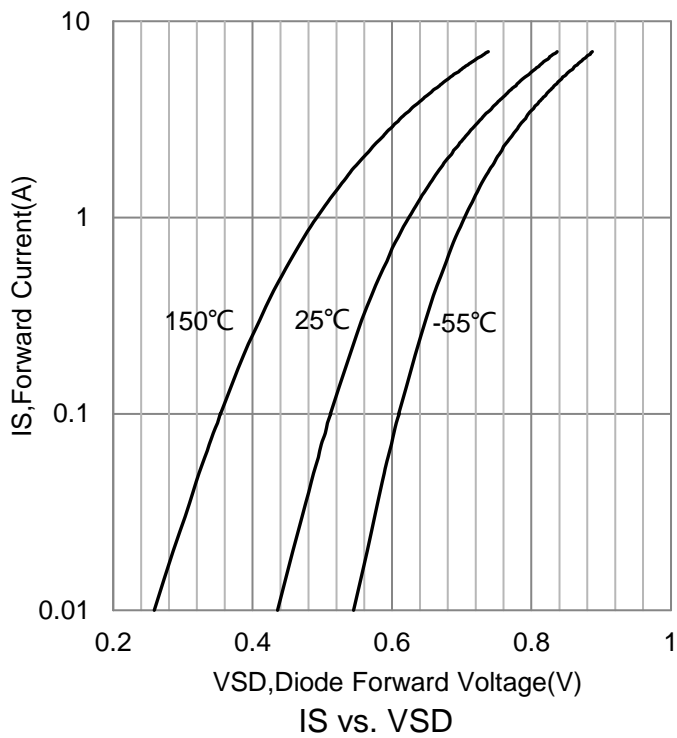
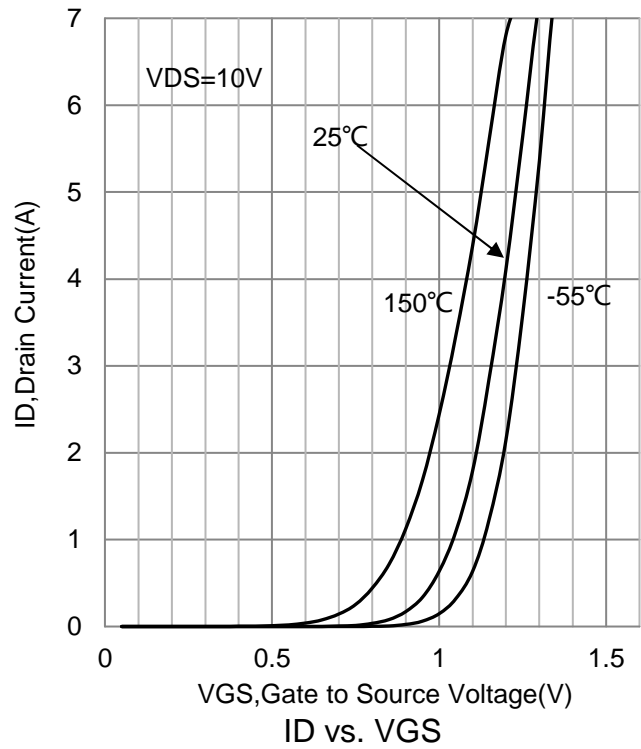
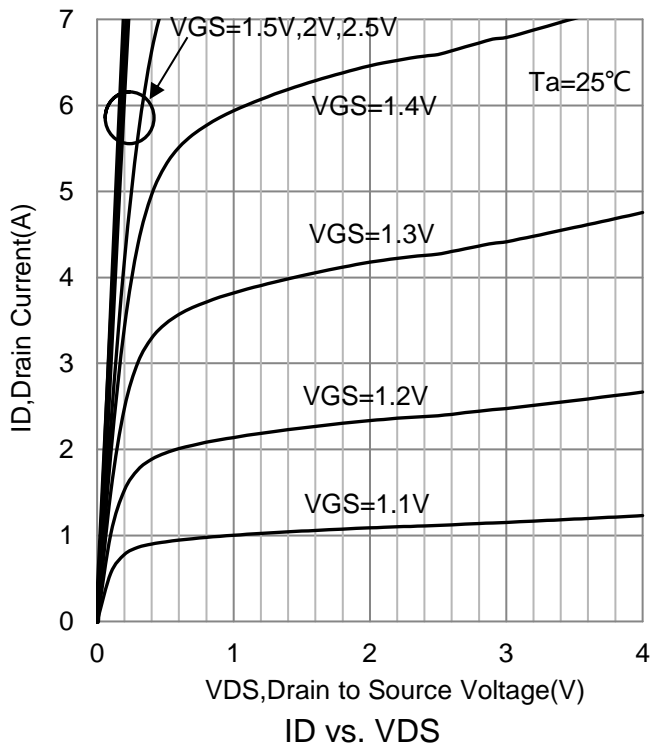
1. The device mounted on 1in² FR4 board with 2 oz copper

5. ELECTRICAL CHARACTERISTICS (Ta= 25°C)

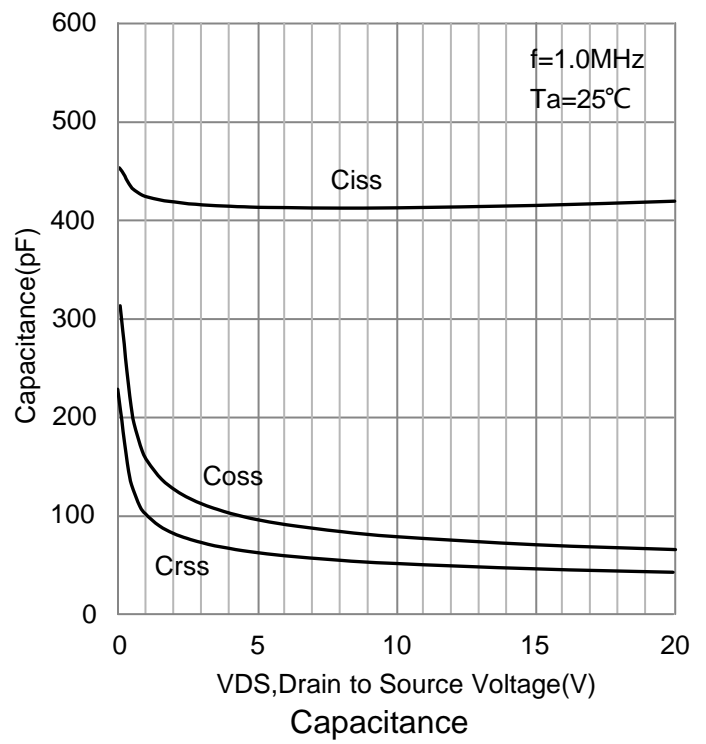
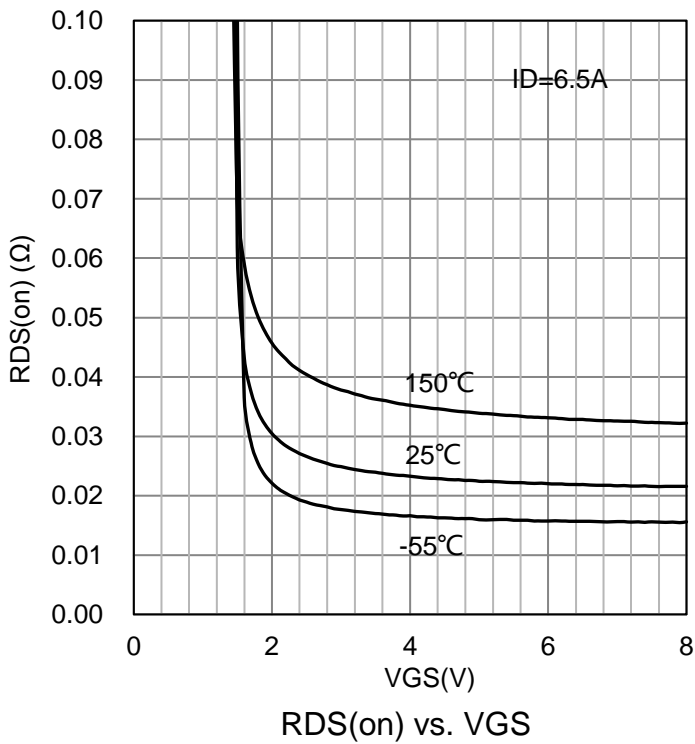
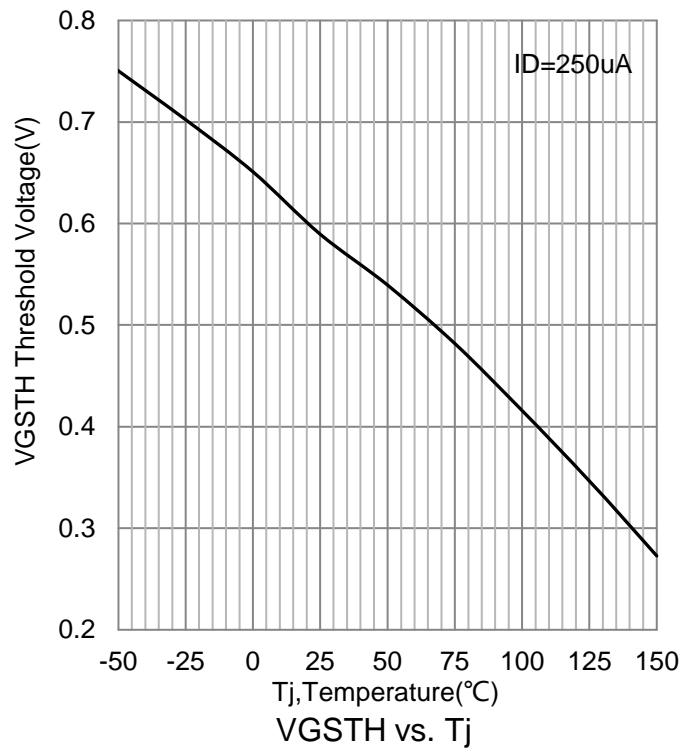
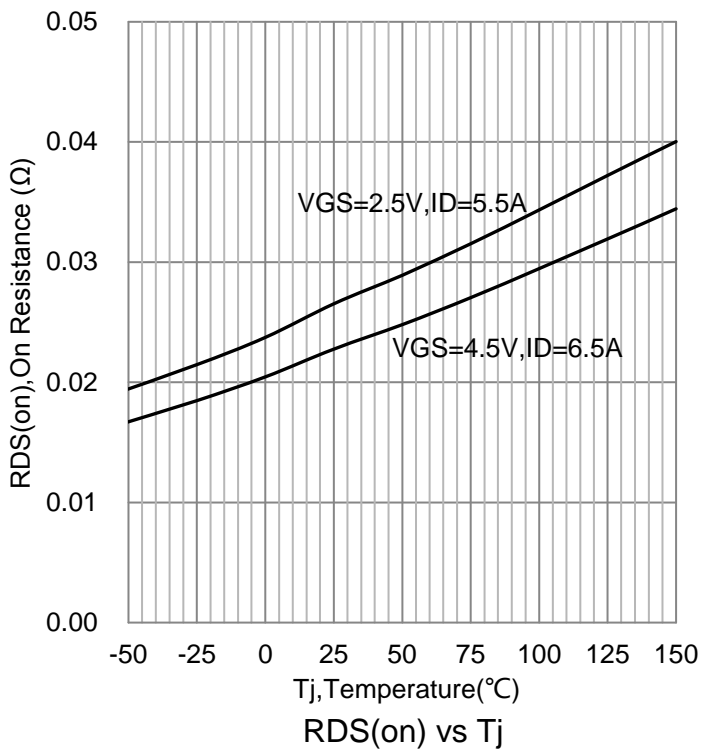
Characteristic	Symbol	Min.	Typ.	Max.	Unit
STATIC					
Drain-Source Breakdown Voltage (VGS = 0 V, ID = 250 μA)	V(BR)DSS	20	-	-	V
Gate Threshold Voltage (VDS = VGS , ID = 250 μA)	VGS(th)	0.4	-	1	
Gate Leakage Current (VDS = 0 V, VGS = ± 8 V)	IGSS	-	-	±10	μA
Zero Gate Voltage Drain Current (VDS = 20 V, VGS = 0 V)	IDSS	-	-	1	
Drain-Source On-Resistance(Note 2) (VGS = 4.5 V, ID = 6.5 A) (VGS = 2.5 V, ID = 5.5 A) (VGS = 1.8 V, ID = 5 A)	RDS(ON)	-	17	25	mΩ
		-	24	29	
		-	32	42	
Diode Forward Voltage (IS = 1 A, VGS = 0 V)	VSD	-	0.7	1	V
DYNAMIC					
Total Gate Charge	VDS = 10 V, VGS = 4.5 V, ID = 6.5 A	Qg	-	10	nC
Gate-Source Charge		Qgs	-	0.9	
Gate-Drain Charge		Qgd	-	3	
Input Capacitance	VDS = 10 V, VGS = 0 V, f= 1MHz	Ciss	-	150	pF
Output Capacitance		Coss	-	95	
Reverse Transfer Capacitance		Crss	-	25	
Turn-On Delay Time	VDS = 10 V, RL = 1.5 Ω, VGS = 5 V, RGEN = 3 Ω	td(on)	-	250	ns
Turn-On Rise Time		tr	-	420	
Turn-Off Delay Time		td(off)	-	3950	
Turn-Off Fall Time		tf	-	3700	

2. Pulse test; pulse width ≤ 300us, duty cycle ≤ 2%

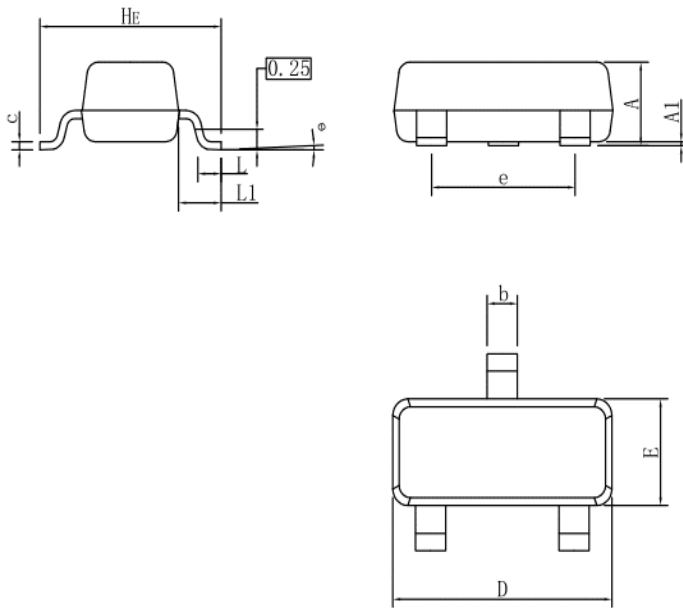
6. ELECTRICAL CHARACTERISTICS CURVES



6. ELECTRICAL CHARACTERISTICS CURVES(Con.)



7.OUTLINE AND DIMENSIONS

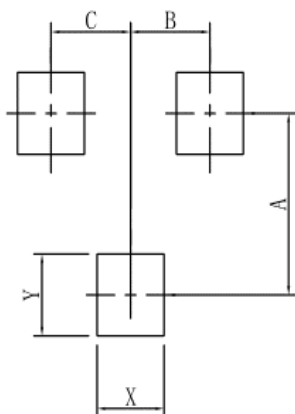


SOT23E			
DIM	MIN	NOR	MAX
A	0.90	1.00	1.10
A1	0.01	0.06	0.10
b	0.30	0.40	0.50
c	0.10	0.17	0.20
D	2.80	2.90	3.00
E	1.20	1.30	1.40
e	1.80	1.90	2.00
L	0.20	0.40	0.60
L1	0.60REF		
HE	2.20	2.40	2.60
θ	0°	-	10°
All Dimensions in mm			

GENERAL NOTES

- 1.Top package surface finish Ra0.4±0.2um
- 2.Bottom package surface finish Ra0.7±0.2um
- 3.Side package surface finish Ra0.4±0.2um

8.SOLDERING FOOTPRINT



SOT23E	
DIM	(mm)
X	0.80
Y	0.90
A	2.00
B	0.95
C	0.95

DISCLAIMER

- Curve guarantee in the specification. The curve of test items with electric parameter is used as quality guarantee. The curve of test items without electric parameter is used as reference only.
- Before you use our Products for new Project, you are requested to carefully read this document and fully understand its contents. LRC shall not be in any way responsible or liable for failure, malfunction or accident arising from the use of any LRC's Products against warning, caution or note contained in this document.
- All information contained in this document is current as of the issuing date and subject to change without any prior notice. Before purchasing or using LRC's Products, please confirm the latest information with a LRC sales representative.

单击下面可查看定价，库存，交付和生命周期等信息

[>>LRC\(乐山无线电\)](#)