

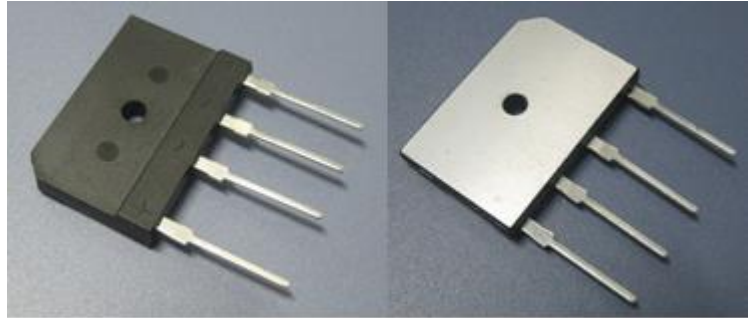
LD35SB10 Thru LD35SB120

High Current Glass Passivated Molding Single-Phase Bridge Rectifier

Reverse Voltage 100 to 1000V Forward Current 35 A

FEATURES

- Plastic Package has Underwriters Laboratory Flammability Classification 94V-0
- High current capacity with small package
- Glass passivated chip junctions
- ESD HBM Classification 3A
- Superior thermal conductivity
- High IFSM



1. Maximum & Thermal Characteristics Ratings at 25°C ambient temperature unless otherwise specified.

Parameter Symbol	Symbol	LD35S	LD35S	LD53S	LD35S	LD35S	LD35SB	LD35SB	Unit
		B10	B20	SB40	B60	B80	100	120	
Maximum repetitive voltage	VRRM	100	200	400	600	800	1000	1200	V
Maximum RMS Voltage	VRMS	70	140	280	420	560	700	840	V
Maximum DC Blocking Voltage	VDC	100	200	400	600	800	1000	1200	V
Maximum DC reverse current TA=25 °C	IR	10							μA
at rated DC blocking voltage TA=125°C		500							
Maximum average forward rectified output current at	With heatsink Tc=100°C ⁽¹⁾	35							A
	Without heatsink Ta=25°C ⁽²⁾	10							A
Peak forward surge current 8.3ms single half sine-wave superimposed on rated load	IFSM	400							A
Rating of fusing (t<8.3ms)	I ² t	660							A2sec
Dielectric strength terminals to case, AC 1 minute Current 1mA	Vdia	2.5							KV
Max instantaneous forward voltage at 17.5A	VF	1.05							V
Operating junction temperature	TJ	-55~150							°C
Maximum thermal on P.C.B. without heat-sink	R _{θJA}	15							°C/W
resistance per leg on Al plate heat-sink ⁽³⁾	R _{θJC}	0.75							
Storage temperature	Tstg	-55~150							°C
Mounting torque	Tor	Rating Torque : 0.8 (Suggests 0.45~0.65)							N.m

Notes:

- (1) Unit case mounted on aluminum plate heatsink
- (2) Units mounted on P.C.B. without heatsink

LD35SB10 Thru LD35SB120

2. Ratings and Characteristic Curves (TA = 25°C unless otherwise noted)

Fig. 1 Derating Curve

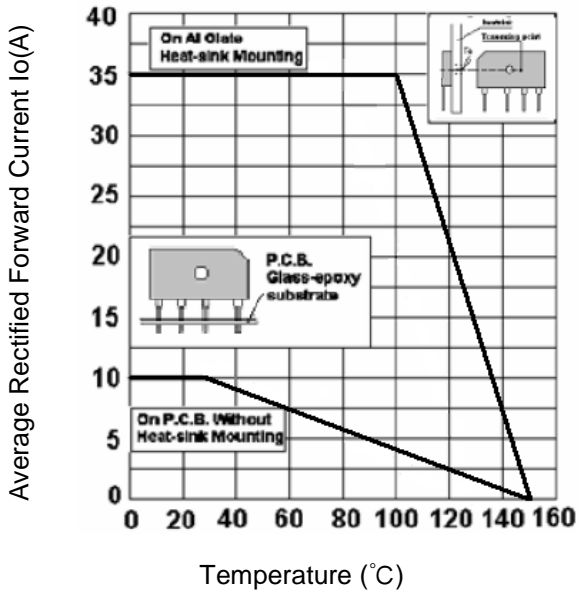


Fig.2 Typical Reverse Characteristics

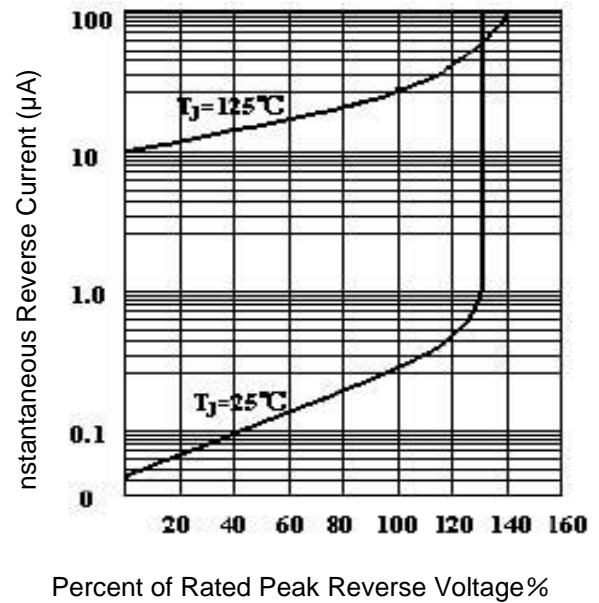


Fig.3 Forward Voltage

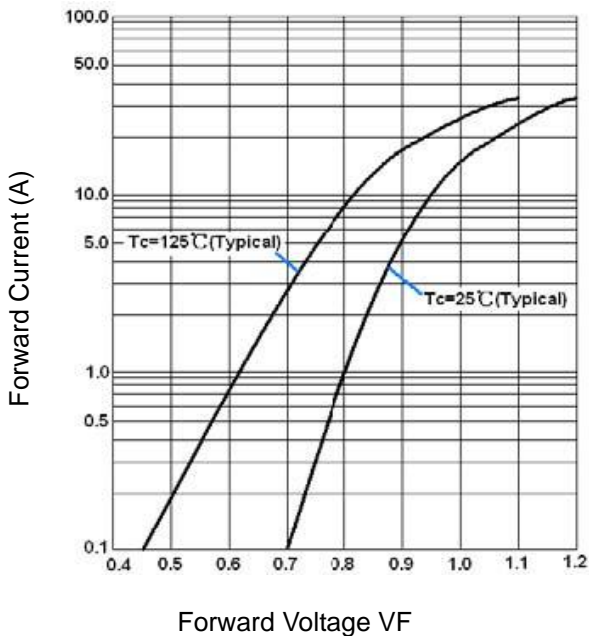
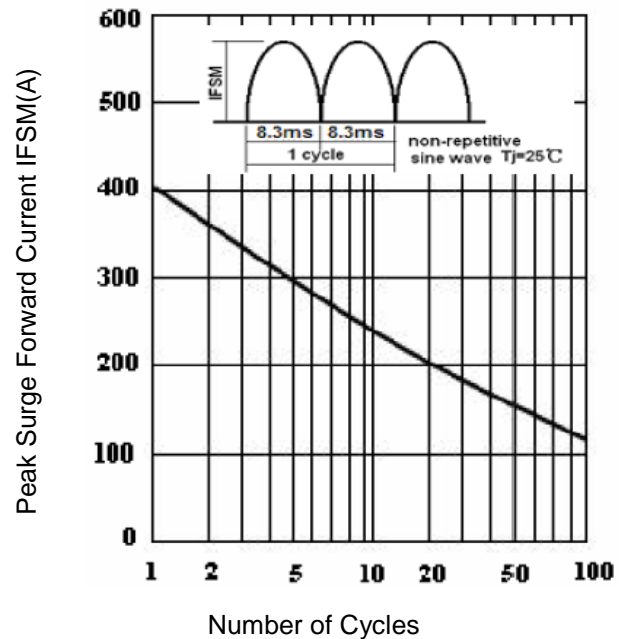
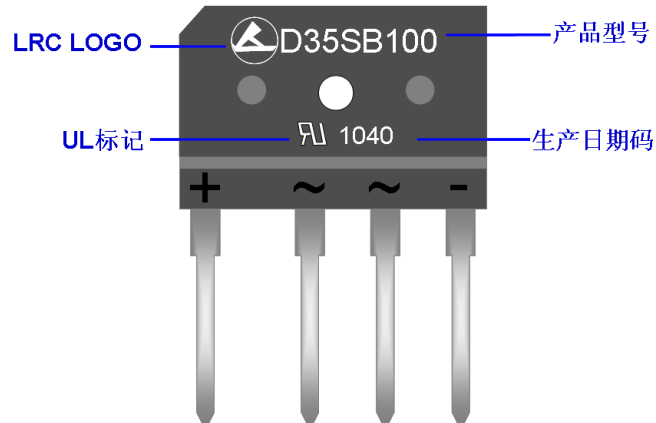


Fig.4 Peak Surge Forward Capability



LD35SB10 Thru LD35SB120

3. Marking Identification



Note:

生产日期码包含4位数字，例如“1040”，前两个数字“10”表示为2010年，另外二个数字“40”是指第40周，即表示该产品为2010年40周生产。

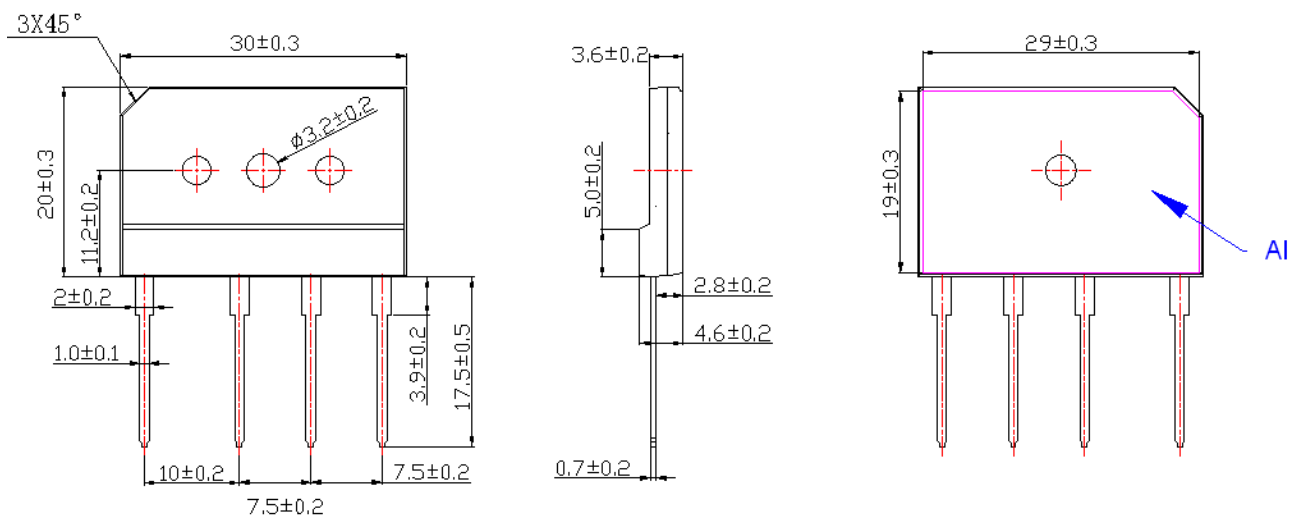
型号:

LD 35 SB 100

bridge reverse voltage=1000V
mean: single -in-line bridge
average rectified forward Current=35A
mean: LD series bridge

4. Dimension

Package Type:LD5



单击下面可查看定价，库存，交付和生命周期等信息

[>>LRC\(乐山无线电\)](#)