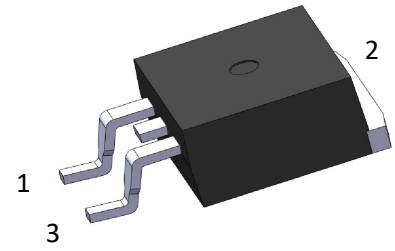


S-LMBR20S100DE2

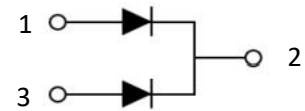
Schottky Rectifier

1. FEATURES

- We declare that the material of product compliance with RoHS requirements and Halogen Free.
- Plastic package has Underwriters Laboratory Flammability Classification 94 V-0
- For use in low voltage high frequency inverters, free wheeling, and polarity protection applications
- Low forward voltage



D²PAK (TO-263)



2. DEVICE MARKING AND ORDERING INFORMATION

Device	Marking	Shipping
S-LMBR20S100DE2	LMBR20S100D	800pcs/Tape&Reel

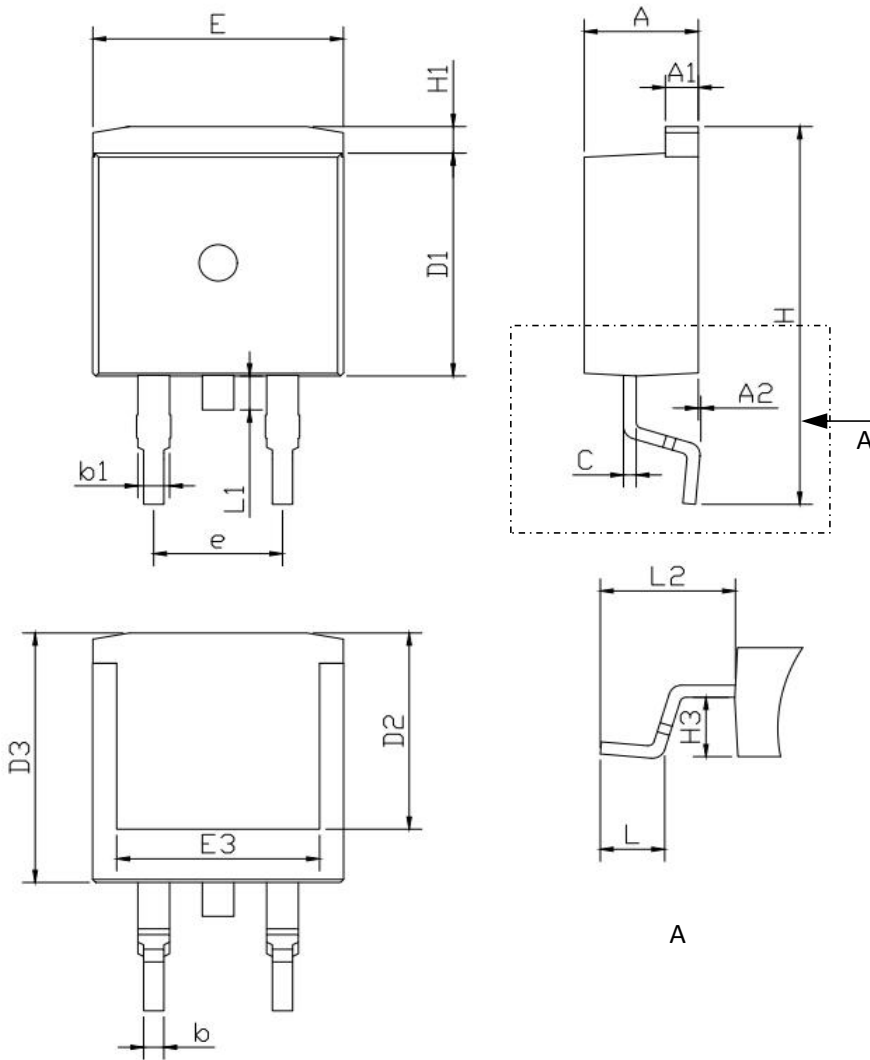
3. MAXIMUM RATINGS(T_c=25°C, per diode)

Parameter	Symbol	Limit	Unit
Maximum Repetitive Peak Reverse Voltage	VRRM	100	V
Maximum RMS Voltage	VRMS	70	V
Maximum DC Blocking Voltage	VR	100	V
Average Forward Current (T _c =105°C, Duty Cycle=0.5)	IF(AV)	Per device: 20 Per diode: 10	A
Peak Forward Surge Current 10ms Single Half Sine Wave Superimposed On Rated Load	IFSM	150	A
Thermal Resistance, Junction-to-Case (per diode)	RθJC	1.5	°C/W
Thermal Resistance, Junction-to-Case (per device)	RθJC	0.8	°C/W
Operation Junction And Storage Temperature Range	TJ,TSTG	-55 ~ +150	°C

4. ELECTRICAL CHARACTERISTICS(per diode)

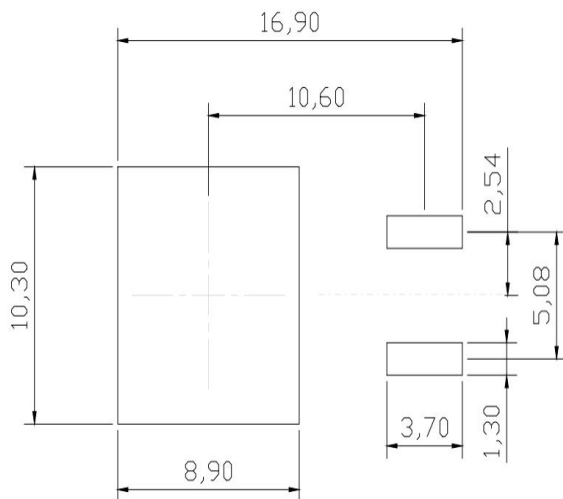
Characteristic	Symbol	Conditions	Min	Typ	Max	Unit
Forward Voltage	VF	IF=10A, Tj=25°C			0.85	V
		IF=10A, Tj=125°C			0.75	V
Reverse Leakage Current	IR	VR=100V, Tj=25°C			100	μA
		VR=100V, Tj=125°C			10	mA

5. OUTLINE AND DIMENSIONS



D ² PAK/TO-263			
DIM	MIN	NOR	MAX
A	4.40	4.50	4.60
A1	1.20	1.30	1.40
A2	0.00	-	0.20
b	0.70	0.80	0.90
b1	1.05	1.25	1.45
C	0.40	0.50	0.60
D1	9.00	9.20	9.40
D2	8.1REF		
D3	10.10	10.40	10.70
E	9.70	9.90	10.10
E3	8.0REF		
e	4.88	5.08	5.28
H	15.20	15.50	15.80
H1	1.00	1.20	1.40
H3	2.20	2.40	2.60
L	2.34	2.54	2.74
L1	1.10	1.40	1.70
L2	5.10	5.30	5.50
Dimensions are in mm			

6. SOLDERING FOOTPRINT



DISCLAIMER

- Curve guarantee in the specification. The curve of test items with electric parameter is used as quality guarantee. The curve of test items without electric parameter is used as reference only.
- Before you use our Products for new Project, you are requested to carefully read this document and fully understand its contents. LRC shall not be in any way responsible or liable for failure, malfunction or accident arising from the use of any LRC's Products against warning, caution or note contained in this document.
- All information contained in this document is current as of the issuing date and subject to change without any prior notice. Before purchasing or using LRC's Products, please confirm the latest information with a LRC sales representative.
- First edition: The information contained in this document is provided on an "as is" basis and LRC does not warrant that all information contained in this document is accurate and/or error-free. LRC shall not be in any way responsible or liable for any damages, expenses or losses incurred by you or third parties resulting from inaccuracy or errors of or concerning such information.

单击下面可查看定价，库存，交付和生命周期等信息

[>>LRC\(乐山无线电\)](#)