

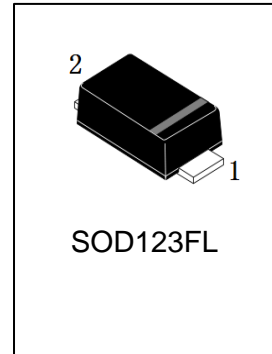
# LMBR3100FT1G

## S-LMBR3100FT1G

### Schottky Barrier Rectifiers

#### 1. FEATURES

- Plastic package has Underwriters Laboratory Flammability Classification 94V-0.
- Low power loss,high efficiency.
- For use in low voltage high frequency inverters,free wheeling,and polarity protection applications.
- Guardring for over voltage protection.
- High temperature soldering guaranteed:260°C/10 seconds at terminals.
- We declare that the material of product compliance with RoHS requirements and Halogen Free.
- S- prefix for automotive and other applications requiring unique site and control change requirements; AEC-Q101 qualified and PPAP capable.



#### 2. DEVICE MARKING AND ORDERING INFORMATION

Device	Marking	Shipping
LMBR3100FT1G	310	3000/Tape&Reel
S-LMBR3100FT1G	310	3000/Tape&Reel



#### 3. MAXIMUM RATINGS(Ta = 25°C)

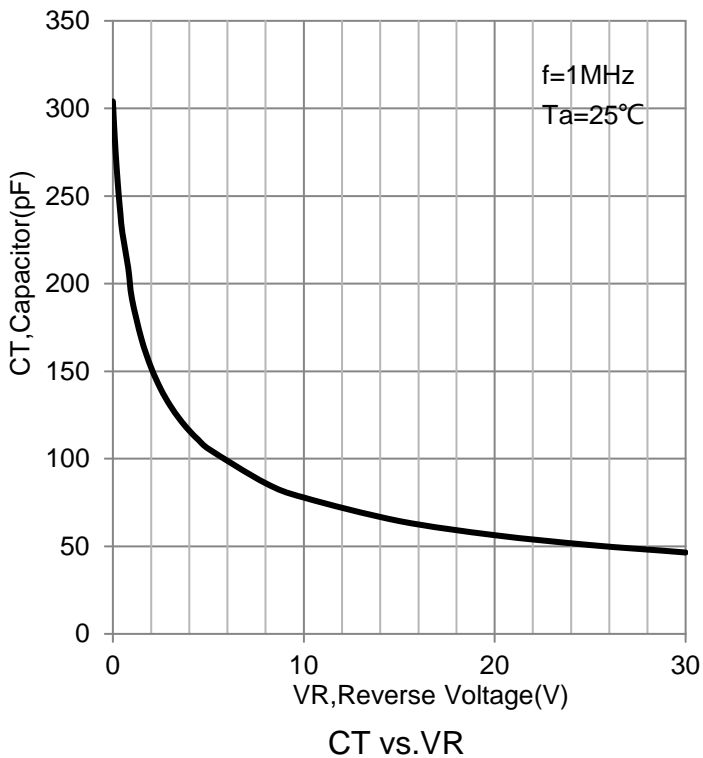
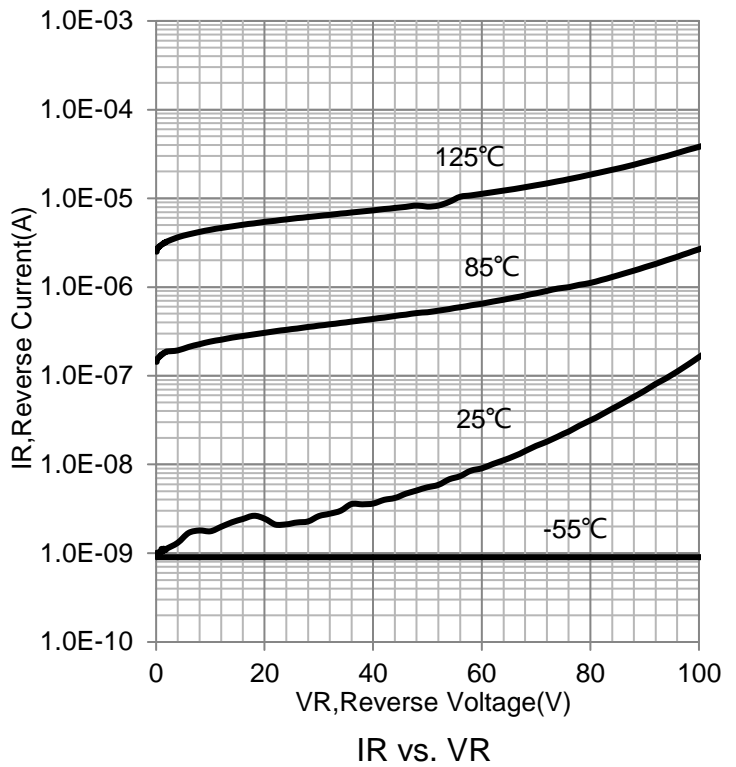
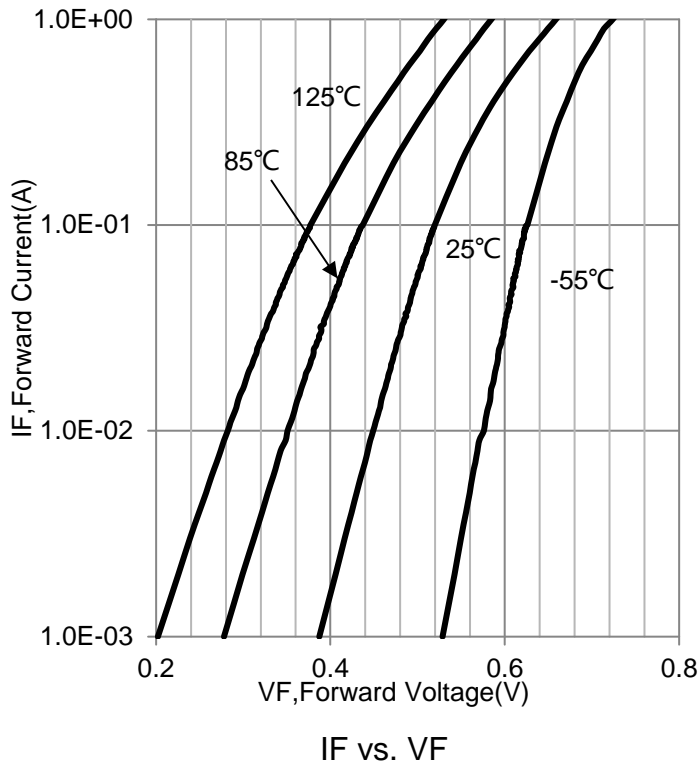
Parameter	Symbol	Limits	Unit
Maximum repetitive peak reverse voltage	VRRM	100	V
Maximum RMS voltage	VRMS	70	V
Maximum DC blocking voltage	VDC	100	V
Maximum average forward rectified current at TA = 75°C	IF(AV)	3	A
Peak forward surge current 8.3ms single half sine-wave superimposed on rated load (JEDEC Method)	IFSM	80	A
Typical thermal resistance (Note 1)	RθJA	170	°C/W
	RθJL	40	
Operating junction temperature range	TJ	-55 ~ +150	°C
storage temperature range	TSTG	-65 ~ +175	°C

1. 8.0mm<sup>2</sup> (.013mm thick) land areas

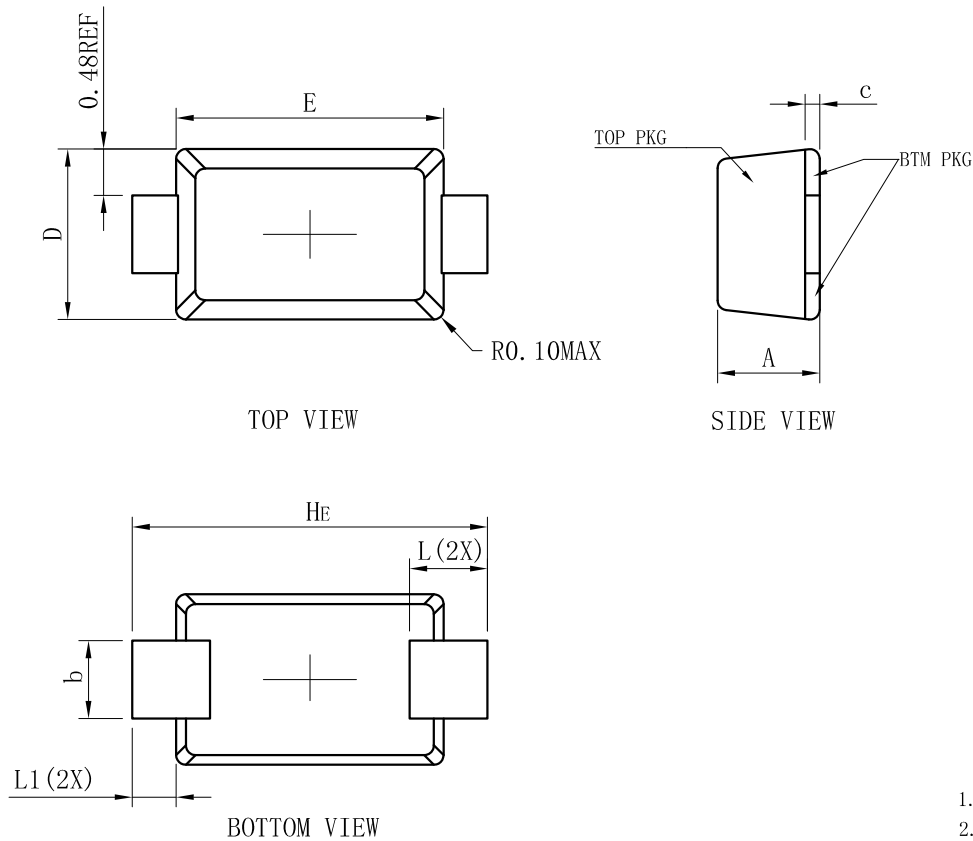
#### 4. ELECTRICAL CHARACTERISTICS (Ta= 25°C)

Characteristic	Symbol	Min	Typ.	Max	Unit
Maximum instantaneous forward voltage at 3.0A	VF	-	-	0.85	V
Maximum DC reverse current at rated DC blocking voltage TA = 25°C	IR	-	-	0.5	mA
Tj = 100°C		-	-	20	
Junction capacitance at 4.0V, 1MHz	CJ	-	120	-	pF

**5. ELECTRICAL CHARACTERISTICS CURVES**



### 6. OUTLINE AND DIMENSIONS

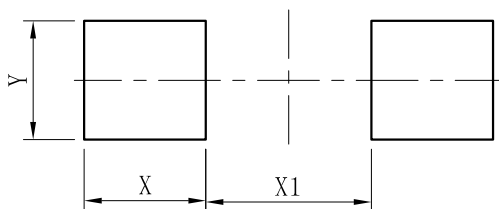


SOD123FL			
DIM	MIN	NOR	MAX
A	0.90	1.05	1.15
b	0.75	0.80	0.95
L	0.80REF.		
E	2.60	2.75	2.90
D	1.60	1.75	1.90
H <sub>E</sub>	3.50	3.65	3.80
c	0.12	0.17	0.22
L1	0.45REF.		
All Dimensions in mm			

#### GENERAL NOTES

1. Top package surface finish  $Ra0.4 \pm 0.2\mu\text{m}$
2. Bottom package surface finish  $Ra0.7 \pm 0.2\mu\text{m}$
3. Side package surface finish  $Ra0.4 \pm 0.2\mu\text{m}$

### 7. SOLDERING FOOTPRINT



DIM	(mm)
X	1.20
Y	1.10
X1	2.00

单击下面可查看定价，库存，交付和生命周期等信息

[>>LRC\(乐山无线电\)](#)