

# GBU6B Thru GBU6M

**High Current Glass Passivated Molding Single-Phase Bridge Rectifier**

**Reverse Voltage 100 to 1000V Forward Current 6A**

## FEATURES

- Plastic Package has Underwriters Laboratory Flammability Classification 94V-0
- High current capacity with small package
- Glass passivated chip junctions
- Superior thermal conductivity
- High IFSM



## 1. Maximum & Thermal Characteristics Ratings at 25°C ambient temperature unless otherwise specified.

Parameter Symbol	Symbol	GBU6B	GBU6D	GBU6G	GBU6J	GBU6K	GBU6M	Unit
Maximum repetitive voltage	VRRM	100	200	400	600	800	1000	V
Maximum RMS Voltage	VRMS	70	140	280	420	560	700	V
Maximum DC Blocking Voltage	VDC	100	200	400	600	800	1000	V
Maximum DC reverse current TA=25 °C	IR	5						μA
at rated DC blocking voltage TA=125°C		500						
Maximum average forward rectified output current at Tc=100°C Unites mounted on P.C.B. without heat-sinkTa=40°C	Io	6						A
		3.8						
Peak forward surge current 8.3ms single half sine-wave superimposed on rated load	IFSM	175						A
Rating of fusing (t<8.3ms)	I <sup>2</sup> t	127						A <sup>2</sup> sec
Dielectric strength terminals to case, AC 1 minute Current 1mA	Vdia	2.5						KV
Max instantaneous forward voltage at 3.0A	VF	1.05						V
Maximum thermal on P.C.B. without heat-sink	RθJA	MAX22						°C/W
resistance per leg on Al plate heat-sink	RθJC	MAX3.0						
Operating junction temperature	TJ	-55~150						°C
Storage temperature	Tstg	-55~150						°C
Mounting torque	Tor	Rating Torque : 0.8 (Suggests 0.45~0.65)						N.m

# GBU6B Thru GBU6M

## 2. Ratings and Characteristic Curves (TA = 25°C unless otherwise noted)

Fig. 1 Derating Curve

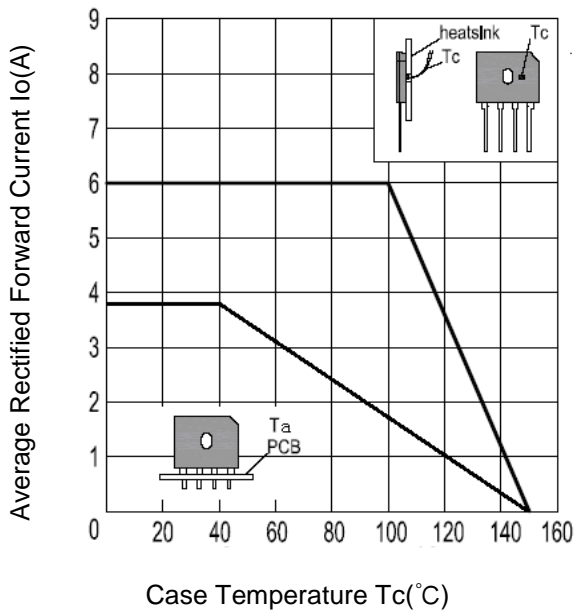


Fig.2 Typical Reverse Characteristics

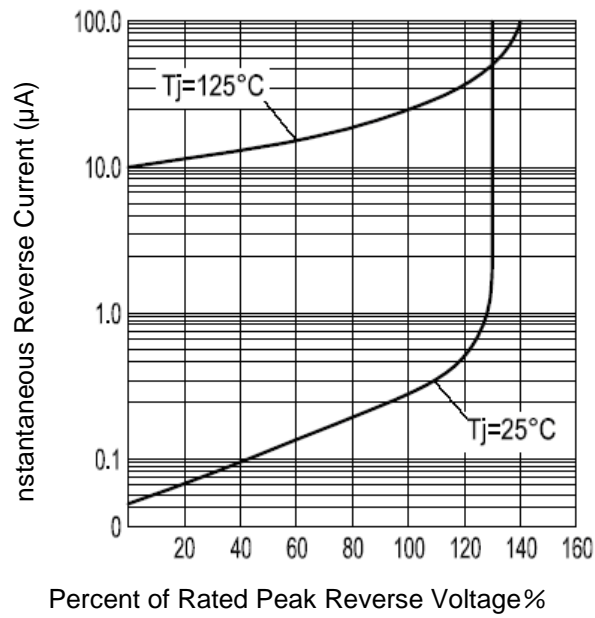


Fig.3 Forward Voltage

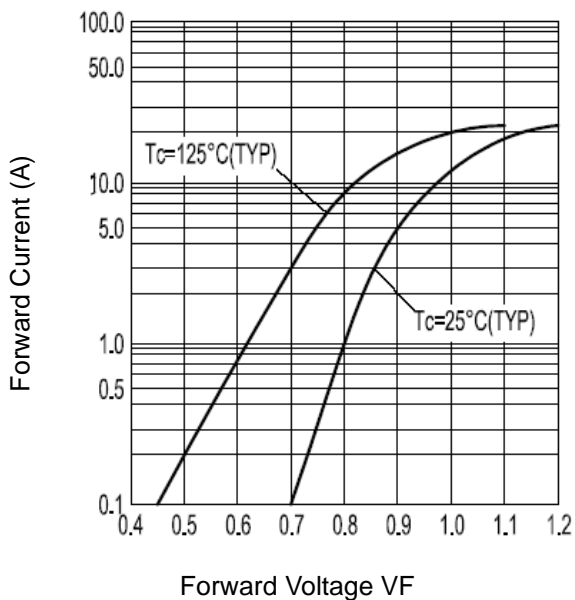
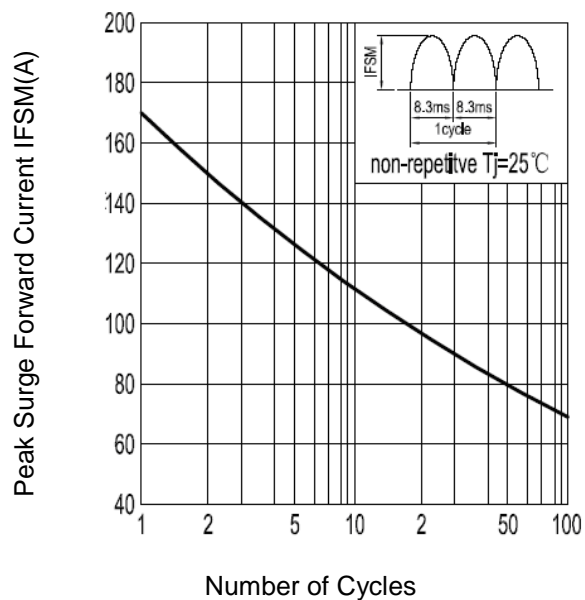
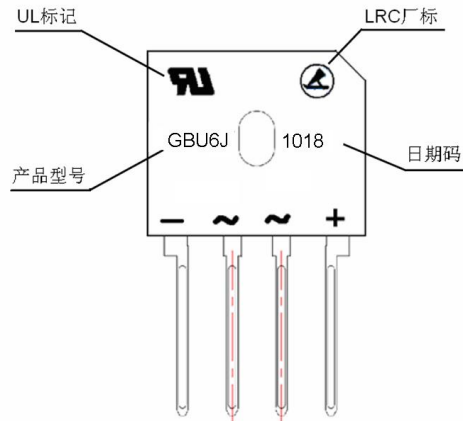


Fig.4 Peak Surge Forward Capability



# GBU6B Thru GBU6M

## 3. Marking Identification



**Note:**

生产日期码包含4位数字，例如“1018”，前两个数字“10”表示为2010年，另外二个数字“18”是指第18周，即表示该产品为2010年18周生产。

型号:

**GBU**

**6**

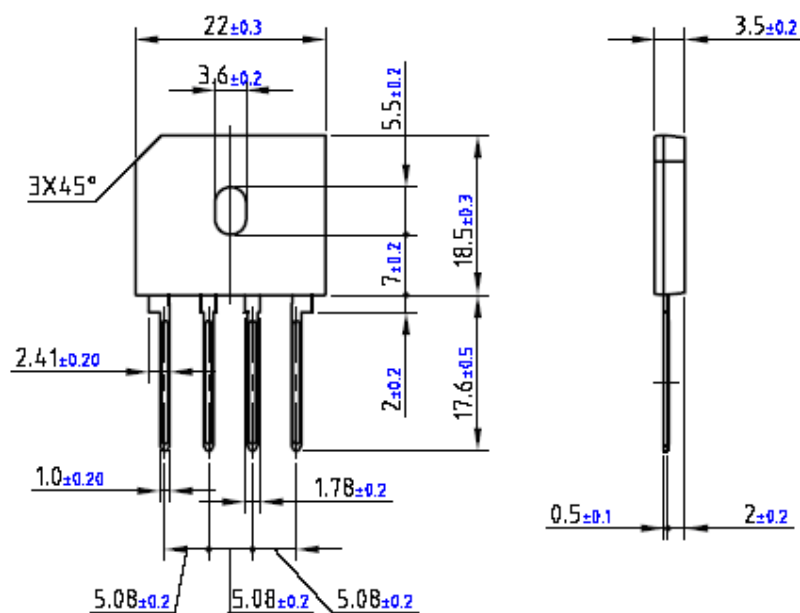
**J**

bridge reverse voltage=600V

average rectified forward Current=6A

mean: GBU series bridge

## 4. Dimension



单击下面可查看定价，库存，交付和生命周期等信息

[>>LRC\(乐山无线电\)](#)

[>>点击查看相关商品](#)